

# **JOINT COVERS FOR EXPANSION JOINTS IN WALL AND FLOOR AREAS**

FOR AGGRESSIVE MEDIA/IN HYGIENIC AREAS/  
FOR REFURBISHMENT AND DRY-WALLING/AS FIELD LIMITATIONS

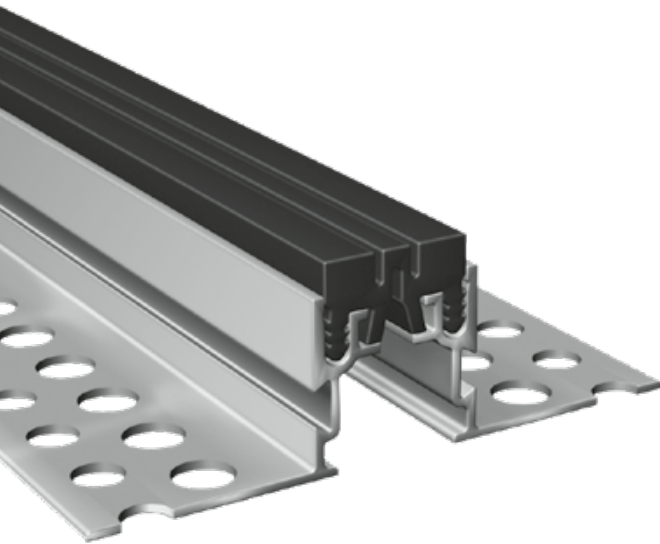


# YOU FIRST.

MIGUA is one of Europe's leading experts in the design, manufacture and installation of expansion joint systems. MIGUA expansion joint systems serve to cover, close and seal expansion joints. Our products satisfy the most rigorous standards in quality and safety and are widely used in large-scale construction projects such as airports, train stations, industrial plants, parking structures, shopping centres and hospitals. Every day, our experienced team do their utmost to make your building project successful. We are not satisfied until you are satisfied. Because our guiding principle is: **MIGUA – you first.**

## **Over 600 products for one purpose: Yours.**

With five brands and over 600 proven expansion joint systems, we've got the diverse structural needs of today's construction projects covered. We confront problems such as heavy traffic loads and meet exacting standards in water resistance or hygiene. Floors, walls or roofs, MIGUA offers the perfect solution for any surface. Products of the highest quality are fundamental to our business; yet our ultimate priority is always customer satisfaction. We offer you a wide range of services to make your building project successful: Starting with competent advice, followed by technical application support on site up to the complete installation service. And since we know that the requirements for expansion joints are just as individual as the buildings themselves, we gladly develop your own very special joint cover system solution based on your requirements. And that is what we call our MIGUA 360° Service.



# MIGUTEC

JOINT COVERS FOR  
EXPANSION JOINTS

## MIGUTRANS

HEAVY-DUTY ALL-METAL JOINT  
SOLUTIONS FOR LARGE TRAFFIC  
LOADS

## MIGUTAN

WATERTIGHT EXPANSION JOINT  
SOLUTIONS

## MIGUPREN

EXPANSION JOINT STRIPS TO SEAL  
JOINTS WITH THREE-DIMENSION-  
AL MOVEMENT

## MIGUMAX

SEISMIC RESISTANT EXPANSION  
JOINT SOLUTIONS

# 360°

MIGUA 360° SERVICE

## TABLE OF CONTENTS

Introducing MIGUTEC	4–5
Innovations at MIGUA	6–7
Expansion joint covers according to areas of application/ alphabetically sorted	8–9
<b>Expansion joint covers for floors</b>	<b>10–24</b>
<b>Joint covers for use with aggressive media</b>	<b>25–28</b>
<b>Joint covers for use in hygienic areas</b>	<b>29–43</b>
<b>Joint covers for refurbishment, renovation and modernisation</b>	<b>44–55</b>
<b>Joint covers for field limitations/cover joints</b>	<b>56–64</b>
Joint cover connections, installation notes	65
<b>Wall and ceiling expansion joint covers</b>	<b>66–79</b>
Wall-connections, corner versions	80–81
Moulded parts – Examples	82–83
Legal notes	83

## WITH MIGUTEC, MIGUA OFFERS A COMPREHENSIVE RANGE OF **JOINT COVERS AND SYSTEMS FOR EXPANSION JOINTS.**

Our MIGUTEC range covers a wide selection of joint covers for simple applications which also have high architectural requirements. We have divided our MIGUTEC catalogue in application areas to make it easier for you to find what you are looking for.

Our floor expansion joint covers are available with a variety of inserts and in various standard colours. On request, we will manufacture a special colour according to your requirements.

Brackets are made from a high-quality aluminium alloy in order to offer you a durable expansion joint cover even with low wall thicknesses. In addition,

some of our joint covers also have stainless steel brackets in order offering a solution suitable for use where they may be subject to aggressive media loads. Smooth inserts are suitable covers for the hygienic areas in hospitals, kitchens and swimming pools.

For the purpose of refurbishment, renovation and modernisation, the MIGUTEC range also contains expansion joint covers suitable for retrofitting.

Our wall and ceiling joint covers are offered with inserts, but also with a metal surface and a clip construction for simple installation.








## We are here for you!

If you have any questions about our products, we would be happy to help.

+ 49 2058 774 0 or [info@migua.de](mailto:info@migua.de)

## Specifications regarding the load capacity

Pictogramm					
Meaning	Pedestrians	Private cars	Lorries DIN 1072	Forklift trucks DIN 1055	Solid plastic tyres

The load specifications of air-filled and solid plastic tyre trucks apply to a wheel contact patch of 200 x 200 mm.

Detailed views of the wall connections mentioned can be found on page 81.

## Note regarding installation

Assembly and installation instructions are available on request.

Please feel free to contact us.

Alternatively, information can be downloaded from our website at

[www.migua.com](http://www.migua.com)



\* Depending on minimum quantities and against surcharge. Please contact us.

Subject to technical changes without notice

FÖRDERMITGLIED IM





## MIGUARCHITECT.COM THE MODULAR PLANNING SYSTEM IN WEB PAGE FORMAT

With the website miguarchitect.com, MIGUA now offers an innovative work aid especially for architects and planners. This bespoke website was developed in the form of a working tool that contains information relevant only to planning. In addition

to tender texts and BIM files, the site also offers cleverly prepared basic know-how on the subject of planning with joints.

Miguarchitect.com was awarded the German Innovation Award 2019.



## SETTING NEW STANDARDS ALSO IN DESIGN



There is much more to MIGUA expansion joint covers than their high quality and impressive functionality. The newly developed 'Generation X' MIGUTRANS joint covers also meet high design standards in building architecture. The distinctive stylistic vocabulary the smooth surface design is indicative of this. This special structure ensures a

harmonious appearance with the new expansion joint covers - they are all marked with an X behind the joint cover designation. Equally innovative is the beautifully designed MIGUA Befestigungsmatrix® (fastening matrix), which allows for a well thought-out, flexible positioning of the screws and thus easier installation.

## EFFICIENT PLANNING OF JOINTS WITH BIM

MIGUA is the first expansion joint cover manufacturer in Germany to support architects and planners in the efficient planning of joints using BIM objects. And that involves everything from the early design phase to the concrete execution.

This means that even in the early planning phase (service phase 3), when hardly any exact information is available about the joint cover required in the future – such as joint width,

required movement absorption and load – initial planning can be carried out very easily with a basic file, the so-called MIGUA BIM Basic. Once detailed requirements for the expansion joint cover are known (service phase 5), the planner can complete his work with the concrete BIM object without any additional effort.

BIM objects are currently available for the watertight (MIGUTAN) and full metal joint profile systems (MIGUTRANS).

## INNOVATIVE AND SUSTAINABLE SOLUTION FOR REFURBISHMENT AND MODERNISATION

With the FSRX, MIGUA has developed a joint cover that can be replaced quickly, easily and in a cost-effective manner during operation. With this replaceable full metal joint cover, only the visible, most heavily loaded part of the joint cover is unscrewed and replaced by a new one. Time-consuming dismantling and removal of the adjacent floor covering is no longer necessary with this design. Above all, the clear advantage and added value for investors here is the reduced downtime of

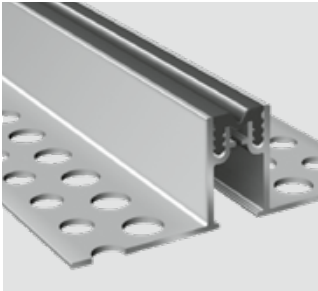
the respective areas, in addition to the time saved and the minimised wage and material costs resulting from it.

In addition, the joint cover contributes to sustainability, as far less material is required for the renovation / modernisation with regard to the joint cover itself and the floor covering. The FSRX was honored with the German Innovation Award and was granted the European and US patent.



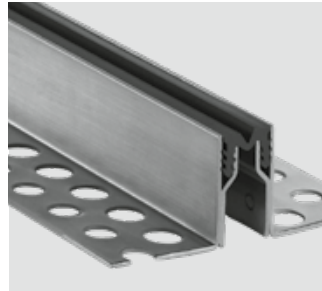
**GERMAN  
INNOVATION  
AWARD '19  
WINNER**

## EXPANSION JOINTS ACCORDING TO AREAS OF APPLICATION



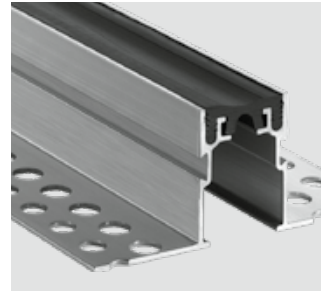
### Expansion joint covers for floors

Aluminium brackets in conjunction with an elastic insert made of quality Synca. Inserts are available in many colours and types. The inserts are optimised for connection to carpet or plastic surfaces. Some of the expansion joint covers are available with stainless steel or brass caps. This type of joint is frequently used in screed in combination with tiles and various coverings such as a carpet or plastic flooring.



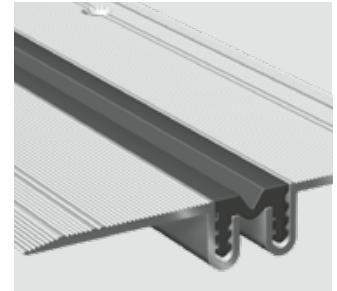
### Expansion joint covers for aggressive media

Stainless steel brackets made from various alloys (1.4301 and 1.4541), for various loads, combined with inserts for various movements thus ensuring good durability with regard to aggressive media. We would be happy to examine the suitability for your needs based on the type and concentration of the media used. Please contact us.



### Expansion joint covers for hygienic areas

Various smooth inserts in combination with a variety of different brackets made from aluminium or stainless steel. The smooth inserts have been designed specifically for hygienic areas in hospitals, kitchens and swimming pools and are both anti-bacterial and physiologically safe.



### Expansion joint covers for refurbishment, renovation and modernisation

Brackets for affixing to the surface, for subsequent installation, form the basis for this area of use. Inserts made from quality Synca. Inserts are available in many colours and types. Some expansion joint cover types are also available with inserts for connection to carpet or plastic floorings.

Product	Page
FL 21	10
FLK 21	11
FLT 21	12
FV 35	13
FK 35	14
FT 35	15
FV 41	16
FP 55 / FK 55	17
FP 55 - 4S	18
FP 55 NI (4S)	19
FP 65	20
FP 65 NI	21
FP 85	22
FP 105	23
FP 55 B (NI) 4S	24

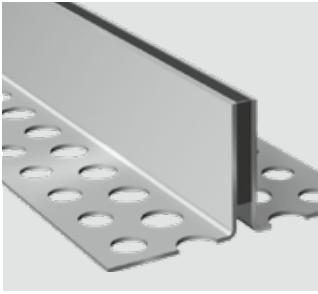
Product	Page
ES 20	25
ES 33	26
ES 39	27
ES 60	28

Product	Page
FLG 21	29
FPG 26 NI	30
FG 35	31
FG 41	32
FPG 55	33
FGH 65	34
FGH 2.0	35
ESG 20	36
ESG 33	37
ESG 39	38
ESG 60	39

Product	Page
FN 20	40
FKN 20	41
FTN 20	42
FN 35	43
FKN 35	44
FTN 35	45
FN 41	46
FN 50	47
FKN 50	48
FN 58	49
FN 65 / FN 85	50
FN 110	51
FNG 20	52
FNG 35	53
FNG 41	54
FNG 50	55

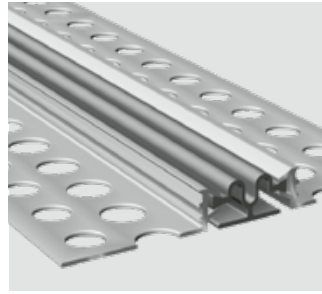


## EXPANSION JOINTS IN ALPHABETICAL ORDER



### Expansion joint covers for field limitations/control joints

In order to counteract tension in the upper floor, it is necessary to divide the floor into fields. Field limitations/shrinkage joints can be used to reduce these tensions. MIGUA offers expansion joint covers constructions designed specifically for this application. They meet both the optical and functional requirements of the task.



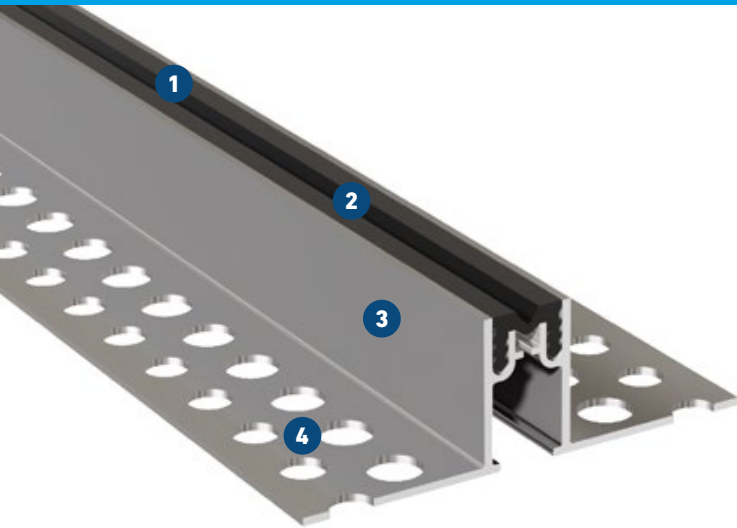
### Wall and ceiling joints

MIGUA expansion joint covers for walls and ceilings include a variety of different covers for areas with plaster, tiles, dry-wall, cement, suspended ceilings and facades. Some of the covers are made up of aluminium brackets with elastic inserts. In addition, MIGUA also offers further joints with metal, plastic or Snyca covers.


Product	Page
ESF-L 9 AL	56
ESF-U 10 AL	57
ESF-L 10 ES	58
ESF-U 10 ES	59
ESF 10 AL	60
ESF 16 AL	61
ESF 22 NI	62
ESF 27 AL	63
ESF 37 AL	64

Product	Page
D 12 / DE 12	66
D 15 / DE 15	67
D 20 / DE 20	68
FA 25 / FAE 25	69
FA 12	70
DF 35 / DF 41 / DF 50 / DF 58	71
WP 255/22	72
WPK 50 / WPK 100	73
WJC	74
KF 55	75
KF 250 / KFE 250	76
KF 250	77
FB 20	78
CP 50/25	79

Product	Page
CP 50/25	79
D 12 / DE 12	66
D 15 / DE 15	67
D 20 / DE 20	68
DF 35 / DF 41 / DF 50 / DF 58	71
ES 20	25
ES 33	26
ES 39	27
ES 60	28
ESF 10 AL	60
ESF 16 AL	61
ESF 22 NI	62
ESF 27 AL	63
ESF 37 AL	64
ESF-L 9 AL	56
ESF-L 10 ES	58
ESF-U 10 AL	57
ESF-U 10 ES	59
ESG 20	36
ESG 33	37
ESG 39	38
ESG 60	39
FA 12	70
FA 25 / FAE 25	69
FB 20	78
FG 35	31
FG 41	32
FGH 2.0	35
FGH 65	34
FK 35	14
FKN 20	41
FKN 35	44
FKN 50	48
FL 21	10
FLG 21	29
FLK 21	11
FLT 21	12
FN 20	40
FN 35	43
FN 41	46
FN 50	47
FN 58	49
FN 65 / FN 85	50
FN 110	51
FNG 20	52
FNG 35	53
FNG 41	54
FNG 50	55
FP 55 - 4S	18
FP 55 B (NI) 4S	24
FP 55 / FK 55	17
FP 55 NI (4S)	19
FP 65	20
FP 65 NI	21
FP 85	22
FP 105	23
FPG 26 NI	30
FPG 55	33
FT 35	15
FTN 20	42
FTN 35	45
FV 35	13
FV 41	16
KF 55	75
KF 250	77
KF 250 / KFE 250	76
WJC	74
WP 255/22	72
WPK 50 / WPK 100	73



- 1 Flexible high quality elastomeric insert**  
Hard wearing, temperature resistant (-30°C to +120°C), replaceable
- 2 Multi directional movement**
- 3 Quick and easy installation**  
Solid, but light aluminium brackets for quick installation in screed or tiled floorings
- 4 MultiHole mounting bracket**  
for secure fixing

Expansion joint cover	Joint width $b_f \text{ max}$ [mm]	Total movement $\Delta b_f$ [mm]	Visible width $b_s$ [mm]	Total width $b_t$ [mm]	Joint height $h$ [mm]	Load bearing capacity*  [kN]
FL 21/20	20	5 (+3/-2)	21	80	20	30
FL 21/35	20	5 (+3/-2)	21	107	35	30
FL 21/50	20	5 (+3/-2)	21	107	50	30

\* no continuous use

All information on load bearing capacity does only apply to non-floating floors.

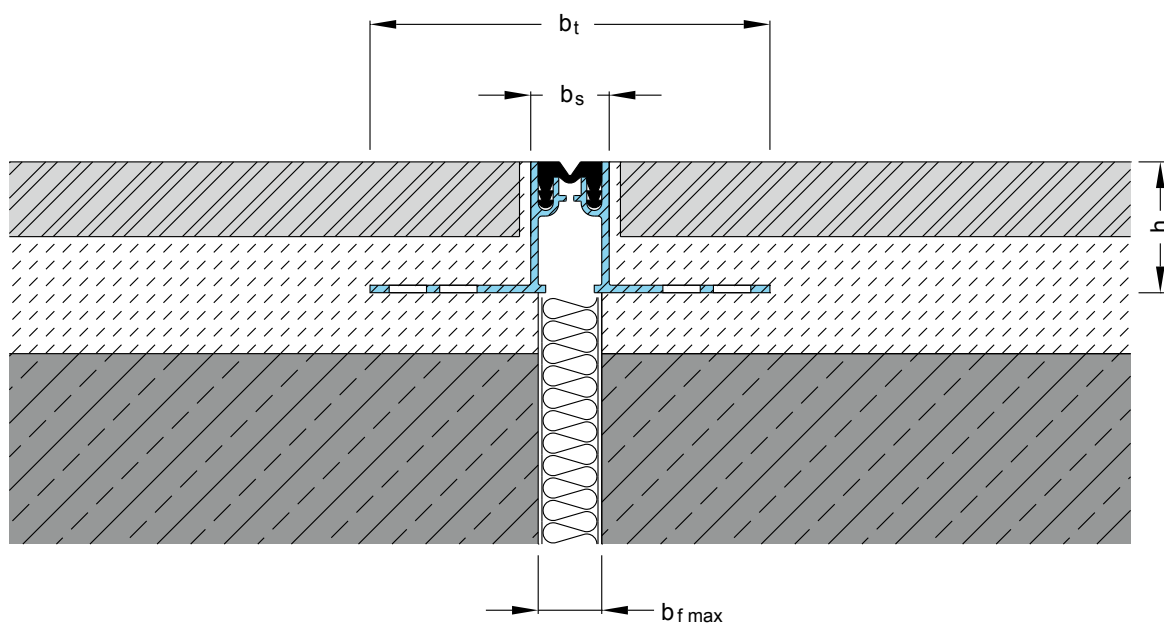
For installation in asphalt, please ask for our technical advice.

The expansion joint cover with the height of 20 mm has larger punched holes and is not suitable for dowelling.

**Production length:** 4 m

**Standard colours:** black, grey

**Wall connections:** E3, E4

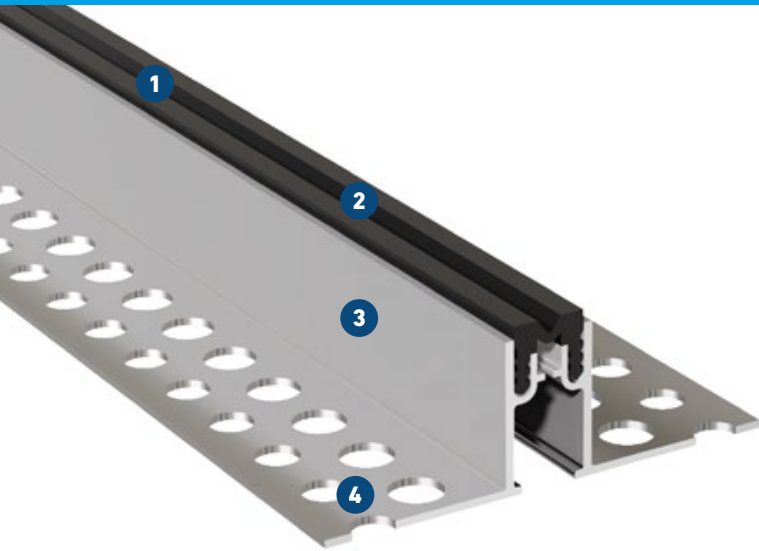


# FLK 21


FOR FLOORS WITH PVC OR LINOLEUM

# MIGUTEC

JOINT COVERS FOR EXPANSION JOINTS



- 1 Flexible high quality elastomeric insert**  
Hard wearing, temperature resistant (-30°C to +120°C), replaceable
- 2 Multi directional movement**
- 3 Quick and easy installation**  
Solid, but light aluminium brackets for quick installation in floorings with PVC or linoleum coverings (insert with 3 mm upstand, weldable with PVC)
- 4 MultiHole mounting bracket**  
for secure fixing

Expansion joint cover	Joint width	Total movement	Visible width	Total width	Joint height	for coverings	Load bearing capacity*
	$b_f \text{ max}$ [mm]	$\Delta b_f$ [mm]	$b_s$ [mm]	$b_t$ [mm]	$h$ [mm]	thickness [mm]	 [kN]
FLK 21/20	20	5 (+3/-2)	17	80	20	3	30
FLK 21/35	20	5 (+3/-2)	17	107	35	3	30
FLK 21/50	20	5 (+3/-2)	17	107	50	3	30

\* no continuous use

All info on load capacities apply to doweled, not to floating installation.

For installation in asphalt, please ask for our technical advice.

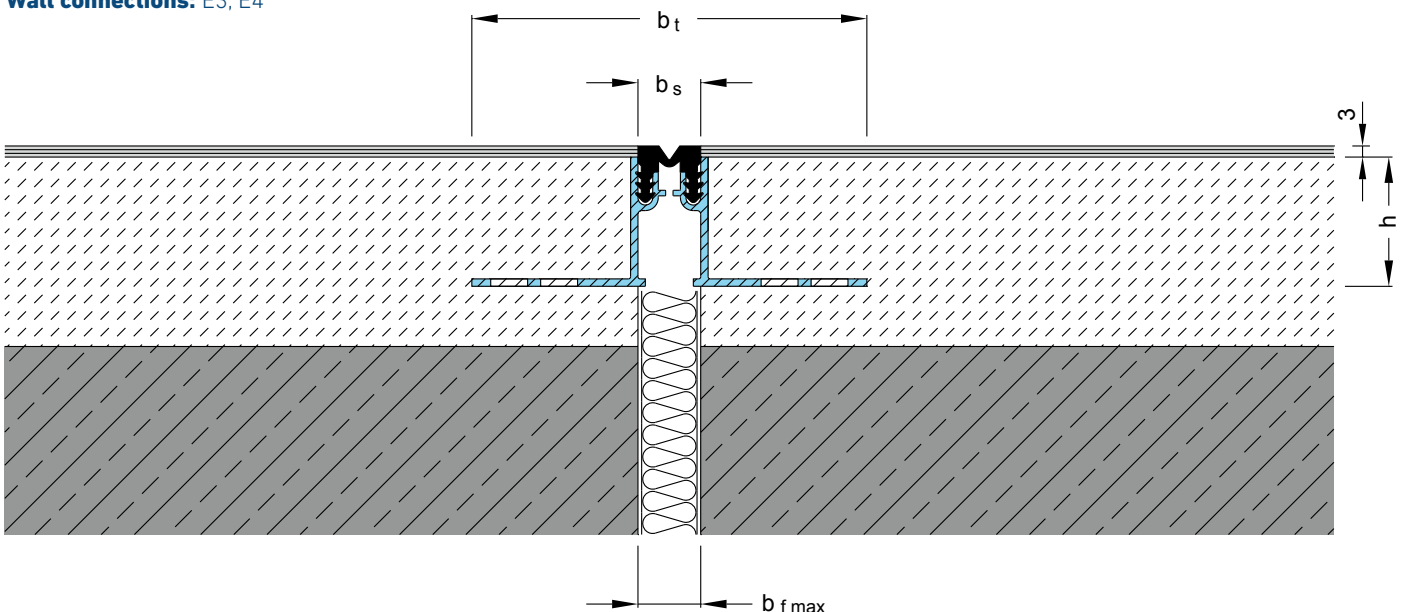
Expansion joint covers of series FLK 21 are supplied with flush mounted distance insert of FL 21. The top edge of the aluminium joint cover can be used as a screeding guide. The distance insert protects the expansion joint cover until covering is laid. This method avoids damage of joint cover caused by site traffic.

The expansion joint cover with the height of 20 mm has larger punched holes and is not suitable for dowelling.

**Production length:** 4 m

**Standard colour:** grey

**Wall connections:** E3, E4

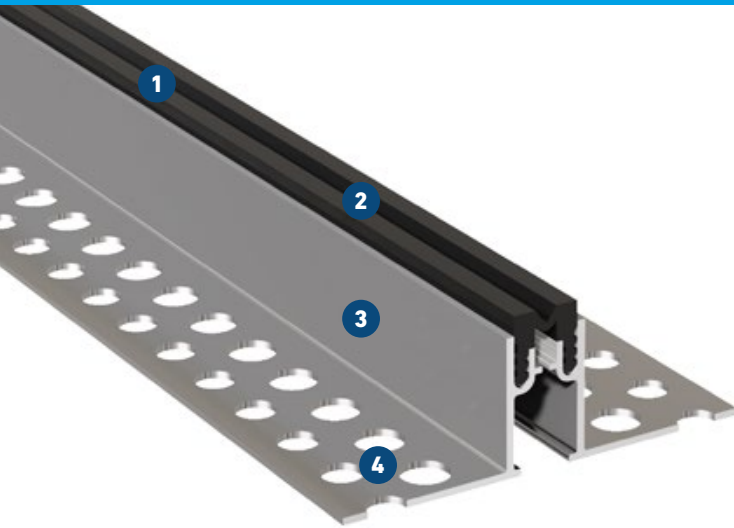


# FLT 21


FOR FLOORS WITH CARPET

# MIGUTEC

JOINT COVERS FOR EXPANSION JOINTS



- 1 Flexible high quality elastomeric insert**  
Hard wearing, temperature resistant (-30°C to +120°C), replaceable
- 2 Multi directional movement**
- 3 Quick and easy installation**  
Solid, but light aluminium brackets for quick installation in floorings with carpet or rubber coverings (insert with 5 mm upstand, weldable)
- 4 MultiHole mounting bracket**  
for secure fixing

Expansion joint cover	Joint width $b_f \text{ max}$ [mm]	Total movement $\Delta b_f$ [mm]	Visible width $b_s$ [mm]	Total width $b_t$ [mm]	Joint height $h$ [mm]	for coverings thickness [mm]	Load bearing capacity*  [kN]
FLT 21/20	20	5 (+3/-2)	17	80	20	5	30
FLT 21/35	20	5 (+3/-2)	17	107	35	5	30
FLT 21/50	20	5 (+3/-2)	17	107	50	5	30

\* no continuous use

All information on load bearing capacity does only apply to non-floating floors.

For installation in asphalt, please ask for our technical advice.

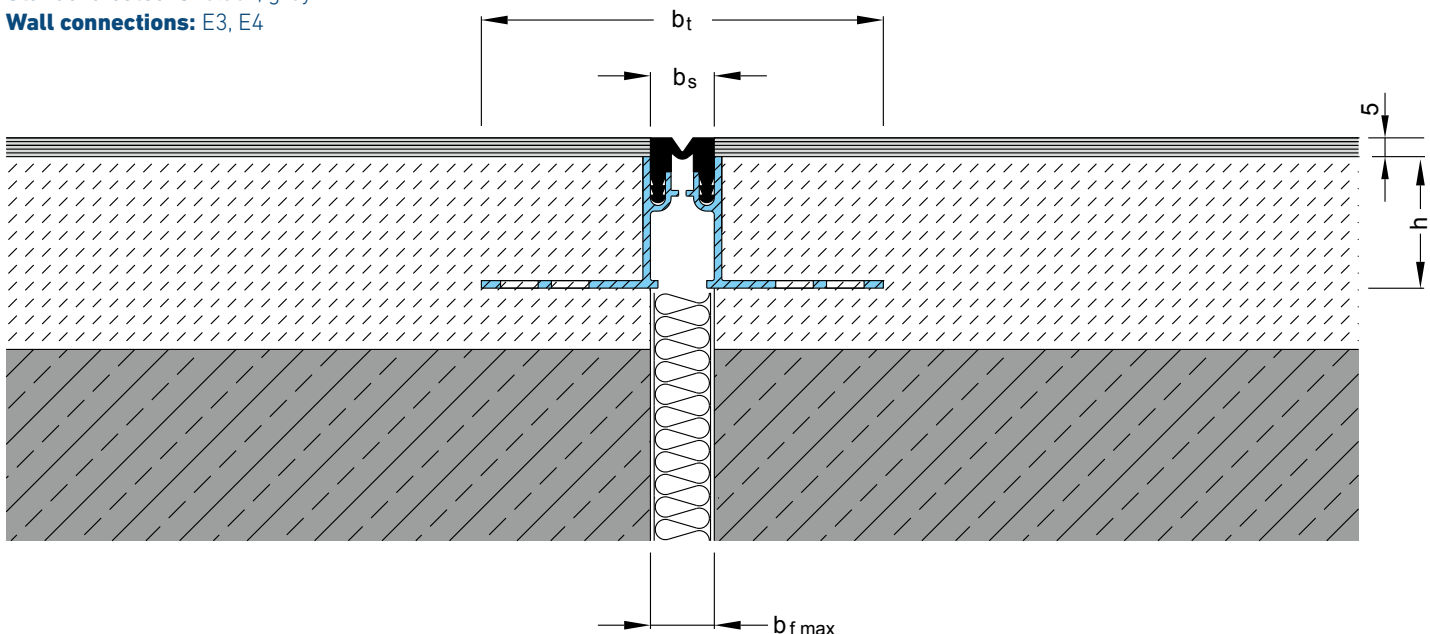
Expansion joint covers of series FLT 21 are supplied with flush mounted distance insert of FL 21. The top edge of the aluminium joint cover can be used as a screeding guide. The distance insert protects the joint cover until covering is laid. This method avoids damage caused by site traffic.

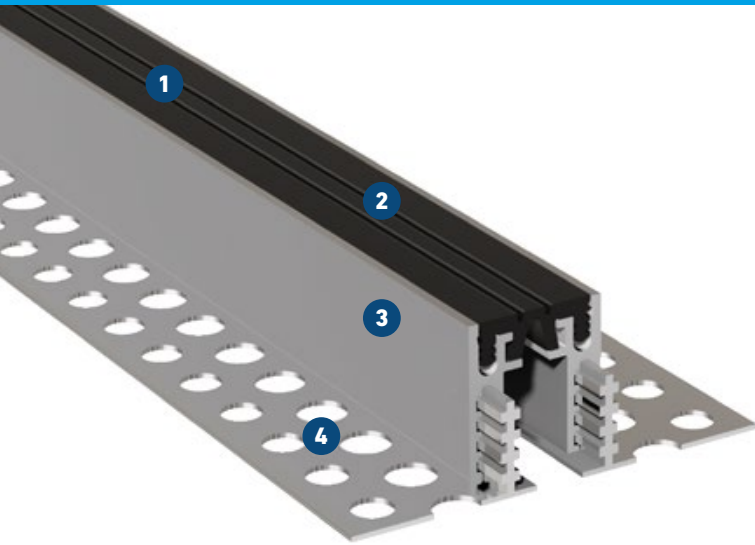
The expansions joint cover with the height of 20 mm has larger punched holes and is not suitable for dowelling.

**Production length:** 4 m

**Standard colours:** black, grey

**Wall connections:** E3, E4





- 1 Flexible high quality elastomeric insert**  
Hard wearing, temperature resistant (-30°C to +120°C), replaceable
- 2 Multi directional movement**
- 3 Quick and easy installation**  
Solid, but light aluminium brackets for quick installation in screed or tiled floorings
- 4 MultiHole mounting bracket**  
for secure fixing

**Flexible adaptation to site conditions**  
Available with adjustable installation height

Expansion joint cover	Joint width	Total movement	Visible width	Total width	Joint height	Load bearing capacity*	Load bearing capacity*
	$b_f \text{ max}$ [mm]	$\Delta b_f$ [mm]	$b_s$ [mm]	$b_t$ [mm]	$h$ [mm]	[kN]	[kN]
FV 35/15	30	10 (±5)	35	108	15	30	30
FV 35/20	30	10 (±5)	35	108	20	30	30
FV 35/25	30	10 (±5)	35	108	25	30	30
FV 35/35	30	10 (±5)	35	125	35	30	30
FV 35/50	30	10 (±5)	35	125	50	30	30
FV 35/4055	30	10 (±5)	35	108	40, 45, 50, 55	30	30
FV 35/6075	30	10 (±5)	35	108	60, 65, 70, 75	30	30
FV 35/7590	30	10 (±5)	35	108	75, 80, 85, 90	30	30
FV 35/90105	30	10 (±5)	35	108	90, 95, 100, 105	30	30

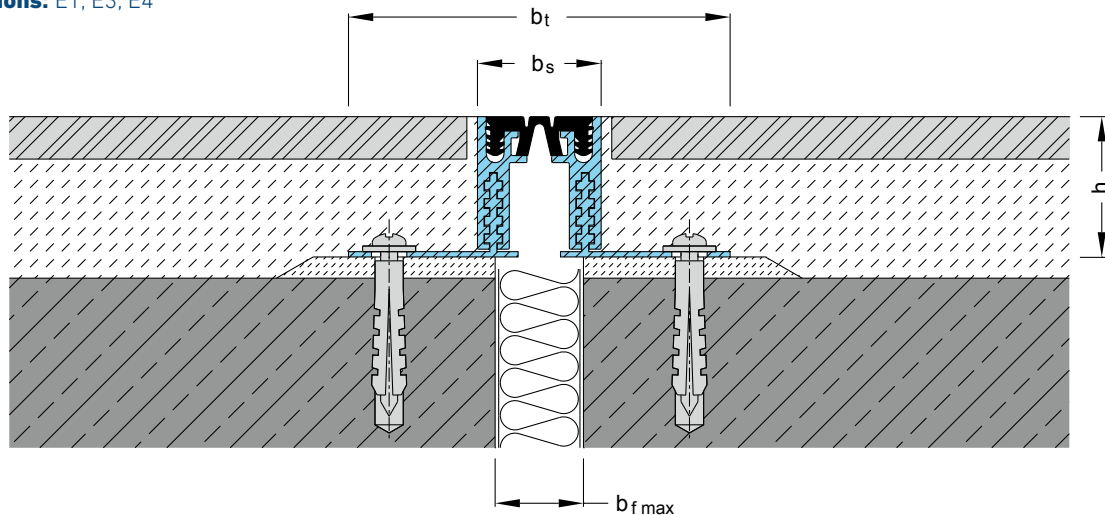
\* no continuous use

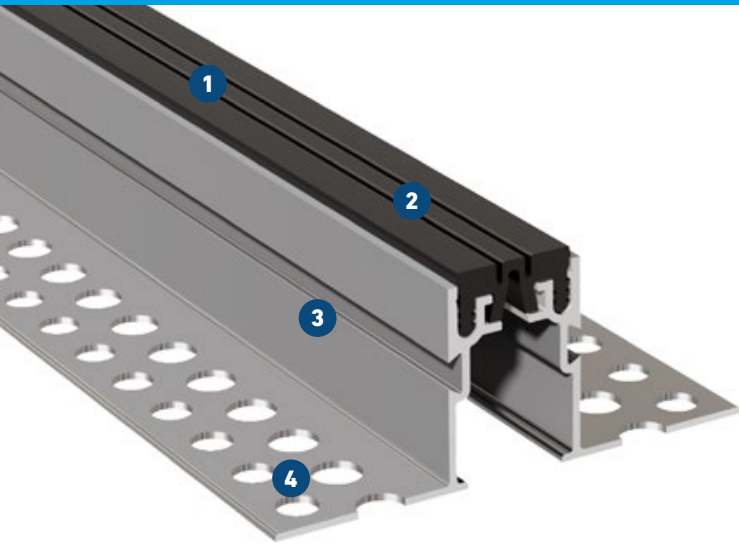
All info on load capacities apply to doweled, not to floating installation.  
For installation in asphalt, please ask for our technical advice.

**Production length:** 4 m

**Standard colours:** black, grey, beige, brown



**Wall connections:** E1, E3, E4





- 1 Flexible high quality elastomeric insert**  
Hard wearing, temperature resistant (-30°C to +120°C), replaceable
- 2 Multi directional movement**
- 3 Quick and easy installation**  
Solid, but light aluminium brackets for quick installation in floorings with PVC or linoleum coverings (insert with 3 mm upstand, weldable with PVC)
- 4 MultiHole mounting bracket**  
for secure fixing

**Flexible adaptation to site conditions**  
Available with adjustable installation height

Expansion joint cover	Joint width	Total movement	Visible width	Total width	Joint height	for coverings	Load bearing capacity*  [kN]	Load bearing capacity*  [kN]
	$b_f \text{ max}$ [mm]	$\Delta b_f$ [mm]	$b_s$ [mm]	$b_t$ [mm]	$h$ [mm]	thickness [mm]		
FK 35/15	30	10 (±5)	30	108	15	3	30	30
FK 35/20	30	10 (±5)	30	108	20	3	30	30
FK 35/25	30	10 (±5)	30	108	25	3	30	30
FK 35/35	30	10 (±5)	30	125	35	3	30	30
FK 35/50	30	10 (±5)	30	125	50	3	30	30
FK 35/4055	30	10 (±5)	30	108	40, 45, 50, 55	3	30	30
FK 35/6075	30	10 (±5)	30	108	60, 65, 70, 75	3	30	30
FK 35/7590	30	10 (±5)	30	108	75, 80, 85, 90	3	30	30
FK 35/90105	30	10 (±5)	30	108	90, 95, 100, 105	3	30	30

\* no continuous use

All info on load capacities apply to doweled, not to floating installation.

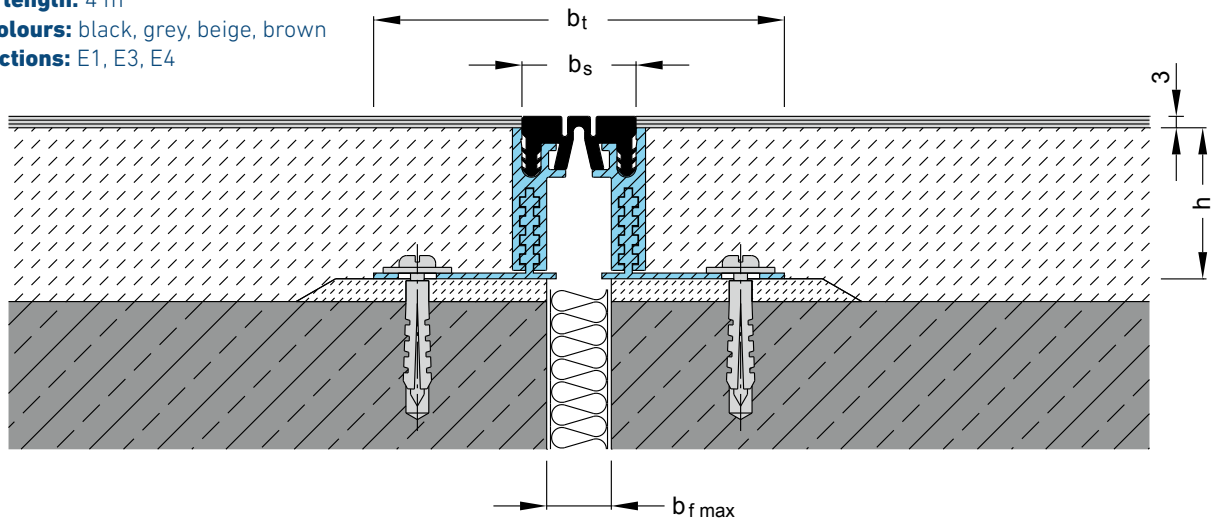
For installation in asphalt, please ask for our technical advice.

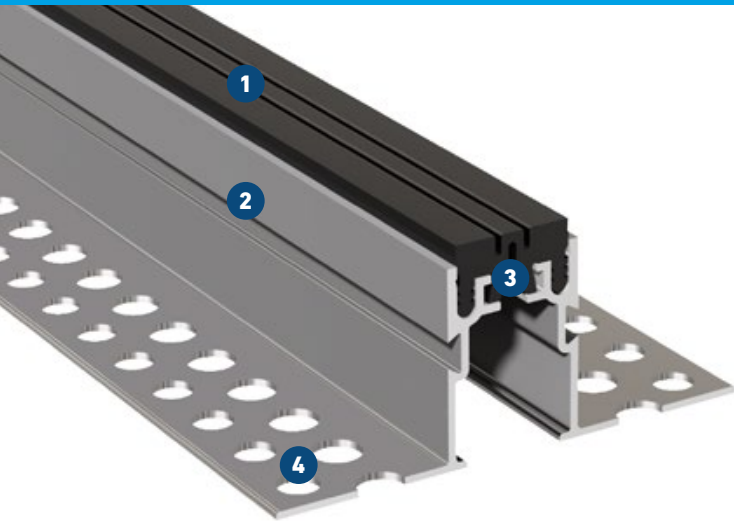
Expansion joints covers of series FT 35 are supplied with flush mounted distance insert of FV 35. The top edge of the aluminium joint can be used as a screeding guide. The distance insert protects the expansion joint covers until covering is laid. This method avoids damage of profile caused by site traffic.

**Production length:** 4 m

**Standard colours:** black, grey, beige, brown

**Wall connections:** E1, E3, E4





- 1 Flexible high quality elastomeric insert**  
Hard wearing, temperature resistant (-30°C to +120°C), replaceable
- 2 Quick and easy installation**  
Solid, but light aluminium brackets for quick installation in floorings with PVC or linoleum coverings (insert with 3 mm upstand, weldable)
- 3 Multi directional movement**
- 4 MultiHole mounting bracket**  
for secure fixing

**Flexible adaptation to site conditions**  
Available with adjustable installation height

Expansion joint cover	Joint width	Total movement	Visible width	Total width	Joint height	for coverings	Load bearing capacity*	Load bearing capacity*
	$b_f \text{ max}$ [mm]	$\Delta b_f$ [mm]	$b_s$ [mm]	$b_t$ [mm]	$h$ [mm]	thickness [mm]	[kN]	[kN]
FT 35/15	30	10 (±5)	30	108	15	5	30	30
FT 35/20	30	10 (±5)	30	108	20	5	30	30
FT 35/25	30	10 (±5)	30	108	25	5	30	30
FT 35/35	30	10 (±5)	30	125	35	5	30	30
FT 35/50	30	10 (±5)	30	125	50	5	30	30
FT 35/4055	30	10 (±5)	30	108	40, 45, 50, 55	5	30	30
FT 35/6075	30	10 (±5)	30	108	60, 65, 70, 75	5	30	30
FT 35/7590	30	10 (±5)	30	108	75, 80, 85, 90	5	30	30
FT 35/90105	30	10 (±5)	30	108	90, 95, 100, 105	5	30	30

\* no continuous use

All info on load capacities apply to doweled, not to floating installation.

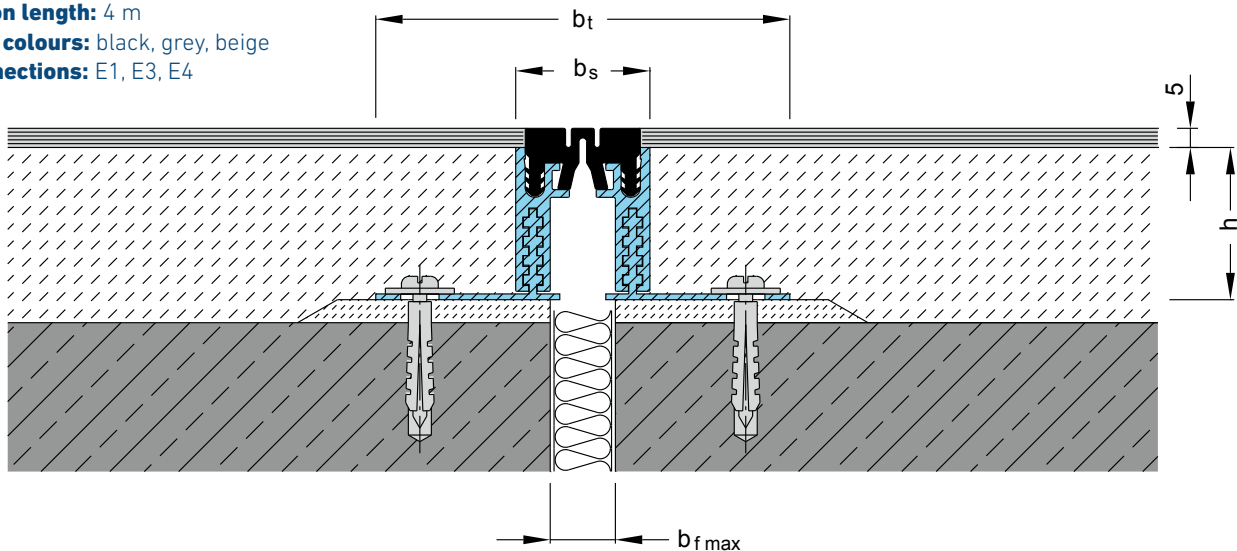
For installation in asphalt, please ask for our technical advice.

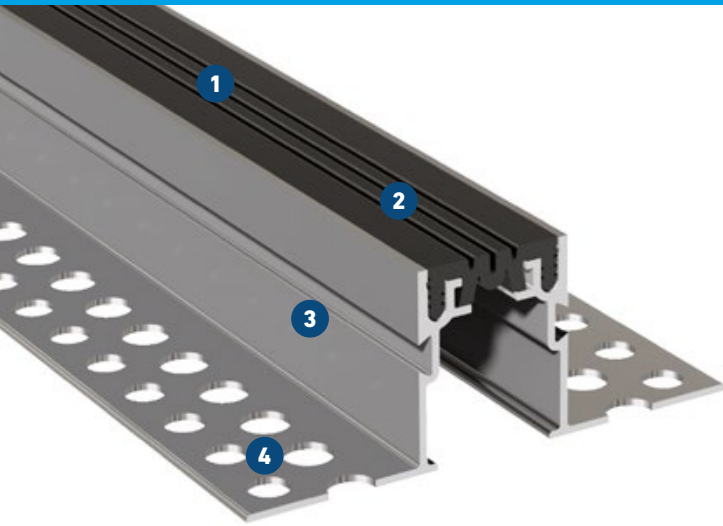
Expansion joint covers of series FT 35 are supplied with flush mounted distance insert of FV 35. The top edge of the aluminium joint cover can be used as a screeding guide. The distance insert protects the joint cover until covering is laid. This method avoids damage caused by site traffic.

**Production length:** 4 m



**Standard colours:** black, grey, beige

**Wall connections:** E1, E3, E4





- 1 Flexible high quality elastomeric insert**  
Hard wearing, temperature resistant (-30°C to +120°C), replaceable
- 2 Multi directional movement**
- 3 Quick and easy installation**  
Solid, but light aluminium brackets for quick installation in screed or tiled floorings
- Flexible adaptation to site conditions**  
Available with adjustable installation height
- 4 MultiHole mounting bracket**  
for secure fixing

Expansion joint cover	Joint width	Total movement	Visible width	Total width	Joint height	Load bearing capacity*  [kN]	Load bearing capacity*  [kN]
	$b_f \text{ max}$ [mm]	$\Delta b_f$ [mm]	$b_s$ [mm]	$b_t$ [mm]	$h$ [mm]		
FV 41/15	35	14 ( $\pm 7$ )	41	114	15	30	30
FV 41/20	35	14 ( $\pm 7$ )	41	114	20	30	30
FV 41/25	35	14 ( $\pm 7$ )	41	114	25	30	30
FV 41/35	35	14 ( $\pm 7$ )	41	131	35	30	30
FV 41/50	35	14 ( $\pm 7$ )	41	131	50	30	30
FV 41/4055	35	14 ( $\pm 7$ )	41	114	40, 45, 50, 55	30	30
FV 41/6075	35	14 ( $\pm 7$ )	41	114	60, 65, 70, 75	30	30
FV 41/7590	35	14 ( $\pm 7$ )	41	114	75, 80, 85, 90	30	30
FV 41/90105	35	14 ( $\pm 7$ )	41	114	90, 95, 100, 105	30	30

\* no continuous use

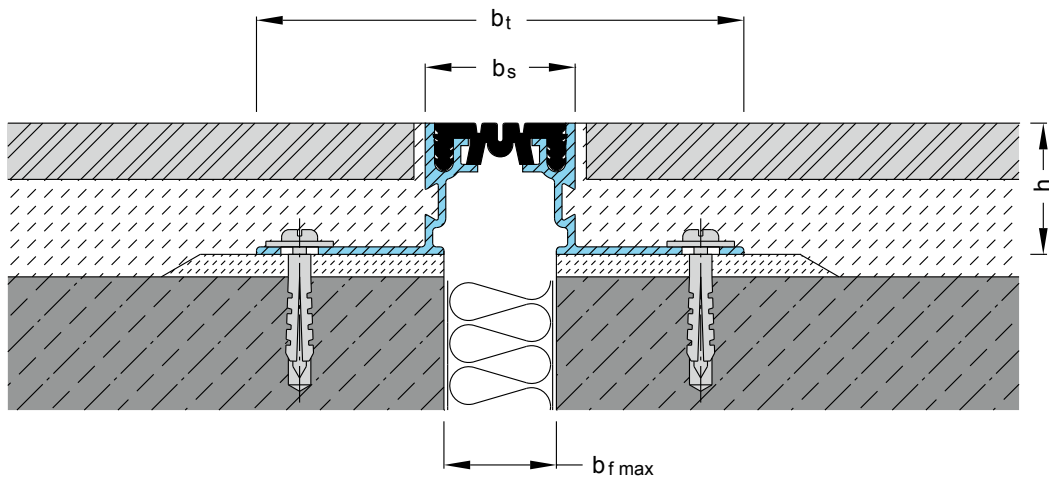
All info on load capacities apply to doweled, not to floating installation.

For installation in asphalt, please ask for our technical advice.

**Production length:** 4 m

**Standard colours:** black, grey, beige

**Wall connections:** E1, E3, E4



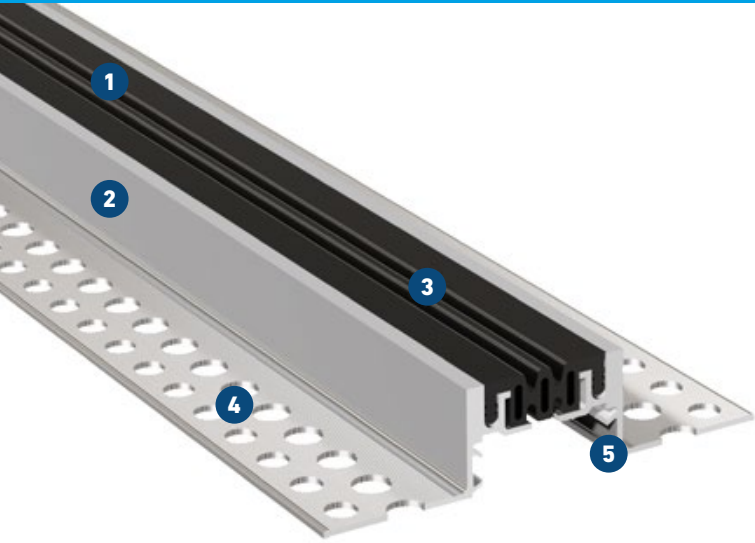


# FP 55 / FK 55



FOR FLOORS AND WALLS

# MIGUTEC

JOINT COVERS FOR EXPANSION JOINTS



- 1 Flexible high quality elastomeric insert**  
Hard wearing, temperature resistant (-30°C to +120°C), replaceable, available in flush version and with 3 mm upstand (as FK 55)
- 2 High load capacity due to sturdy construction**  
Solid aluminium brackets
- 3 Multi directional movement**
- 4 MultiHole mounting bracket**  
for secure fixing
- 5 Quick and easy installation**  
Positive connection of production lengths by means of connection pieces

Expansion joint cover	Joint width	Total movement	Visible width	Total width	Joint height	Load bearing capacity  [kN]	Load bearing capacity*  [kN]
	$b_f \text{ max}$ [mm]	$\Delta b_f$ [mm]	$b_s$ [mm]	$b_t$ [mm]	$h$ [mm]		
FP 55/20	50	16 (±8)	55	150	20	30	300
FP 55/25	50	16 (±8)	55	150	25	30	300
FP 55/35	50	16 (±8)	55	150	35	30	300
FP 55/50	50	16 (±8)	55	150	50	30	300
FP 55/75	50	16 (±8)	55	150	75	30	300

\* no continuous use

For installation in asphalt, please ask for our technical advice.

FP 55 expansion joints are also available with a 3 mm upstand of the insert as FK 55 joints.

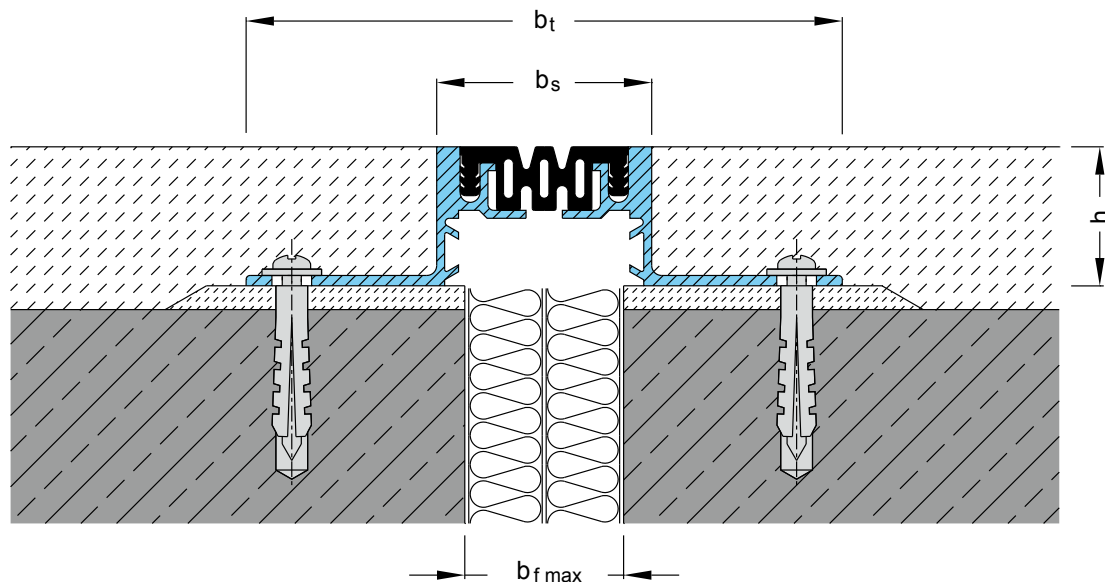
Larger installation heights on request.

**Production length:** 4 m

**Standard colours FP 55:** black, grey, beige

**Standard colours FK 55:** black, grey

**Wall connections:** E1, E3, E4

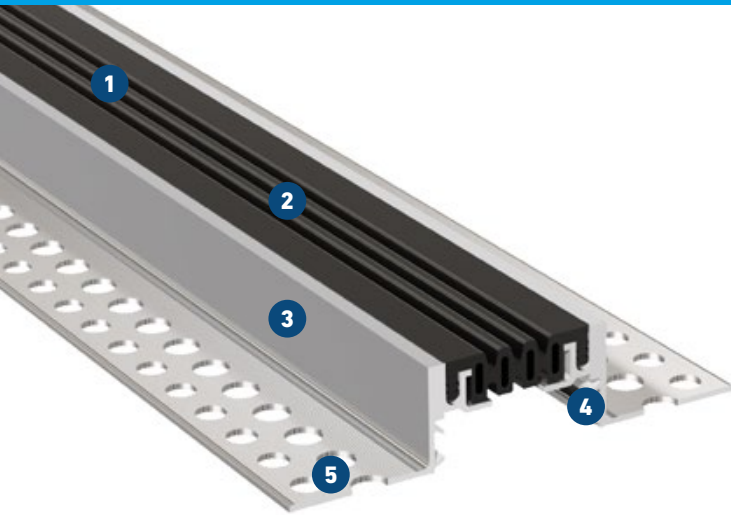


# FP 55 - 4S

FOR FLOORS AND WALLS

# MIGUTEC

JOINT COVERS FOR EXPANSION JOINTS



- 1 Flexible high quality elastomeric insert**  
Hard wearing, temperature resistant (-30°C to +120°C), replaceable
- 2 Multi directional movement**
- 3 High load capacity due to sturdy construction**  
Solid aluminium brackets
- 4 Quick and easy installation**  
Positive connection of production lengths by means of connection pieces
- 5 MultiHole mounting bracket**  
for secure fixing

Expansion joint cover	Joint width	Total movement	Visible width	Total width	Joint height	Load bearing capacity  [kN]	Load bearing capacity*  [kN]
	$b_f \text{ max}$ [mm]	$\Delta b_f$ [mm]	$b_s$ [mm]	$b_t$ [mm]	$h$ [mm]		
FP 55/20 4S	58	22 ( $\pm 11$ )	63	158	20	30	300
FP 55/25 4S	58	22 ( $\pm 11$ )	63	158	25	30	300
FP 55/35 4S	58	22 ( $\pm 11$ )	63	158	35	30	300
FP 55/50 4S	58	22 ( $\pm 11$ )	63	158	50	30	300
FP 55/75 4S	58	22 ( $\pm 11$ )	63	158	75	30	300

\* no continuous use

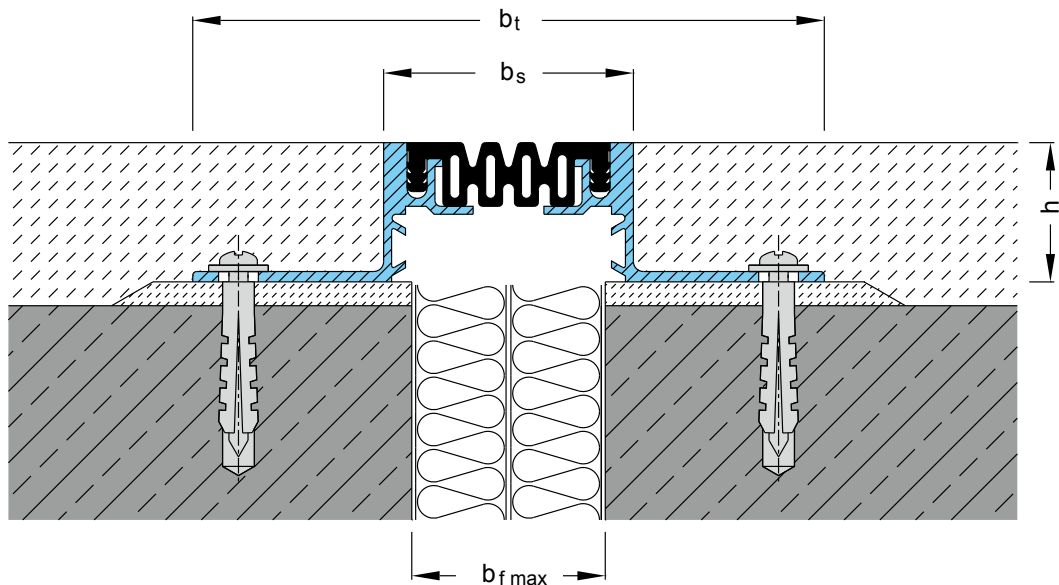
For installation in asphalt, please ask for our technical advice.

Larger installation heights on request.

**Production length:** 4 m

**Standard colours:** black, grey, beige

**Wall connections:** E1, E3, E4

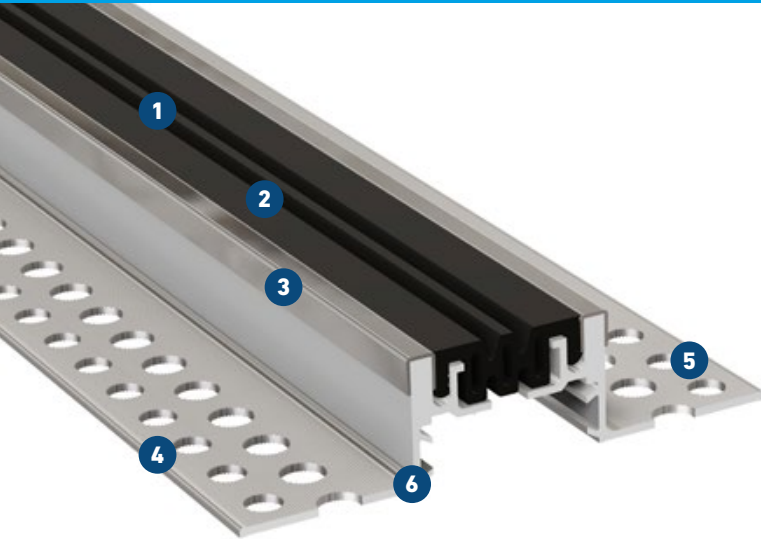


# FP 55 NI (4S)



WITH CAPPINGS MADE OF STAINLESS STEEL

# MIGUTEK

JOINT COVERS FOR EXPANSION JOINTS



- 1 Flexible high quality elastomeric insert**  
Hard wearing, temperature resistant (-30°C to +120°C), replaceable
- 2 Multi directional movement**
- 3 Visible surface in stainless steel**
- 4 High load capacity due to sturdy construction**  
Solid aluminium brackets
- 5 MultiHole mounting bracket**  
for secure fixing
- 6 Quick and easy installation**  
Positive connection of production lengths by means of connection pieces

Expansion joint cover	Joint width	Total movement	Visible width	Total width	Joint height	Load bearing capacity  [kN]	Load bearing capacity*  [kN]
	$b_f \text{ max}$ [mm]	$\Delta b_f$ [mm]	$b_s$ [mm]	$b_t$ [mm]	$h$ [mm]		
FP 55/21 NI	50	16 (±8)	57	150	21	30	300
FP 55/26 NI	50	16 (±8)	57	150	26	30	300
FP 55/36 NI	50	16 (±8)	57	150	36	30	300
FP 55/51 NI	50	16 (±8)	57	150	51	30	300
FP 55/76 NI	50	16 (±8)	57	150	76	30	300
FP 55/21 NI 4S	58	22 (±11)	65	158	21	30	300
FP 55/26 NI 4S	58	22 (±11)	65	158	26	30	300
FP 55/36 NI 4S	58	22 (±11)	65	158	36	30	300
FP 55/51 NI 4S	58	22 (±11)	65	158	51	30	300
FP 55/76 NI 4S	58	22 (±11)	65	158	76	30	300

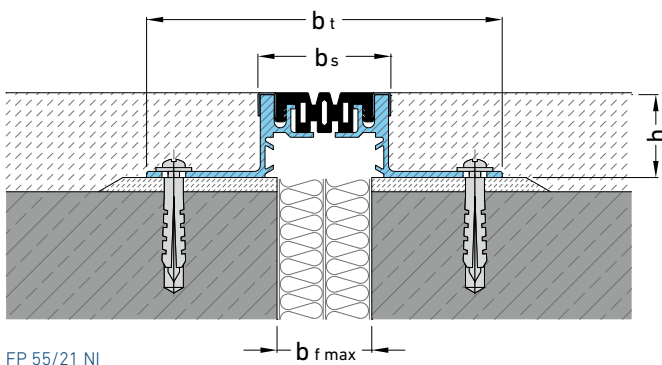
\* no continuous use

For installation in asphalt, please ask for our technical advice.  
Larger installation heights on request.

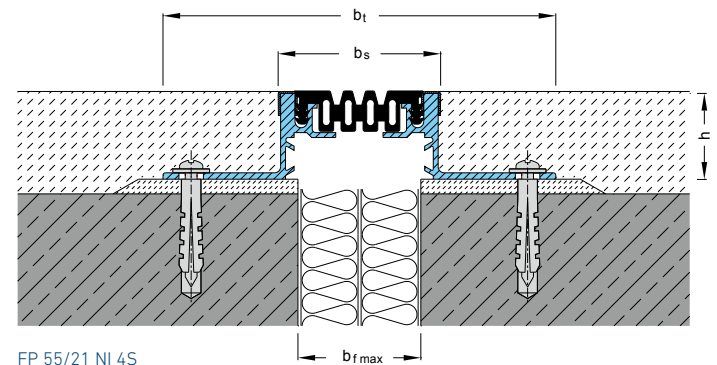
**Production length:** 4 m

**Standard colours:** black, grey

**Wall connections:** E1, E3, E4



FP 55/21 NI



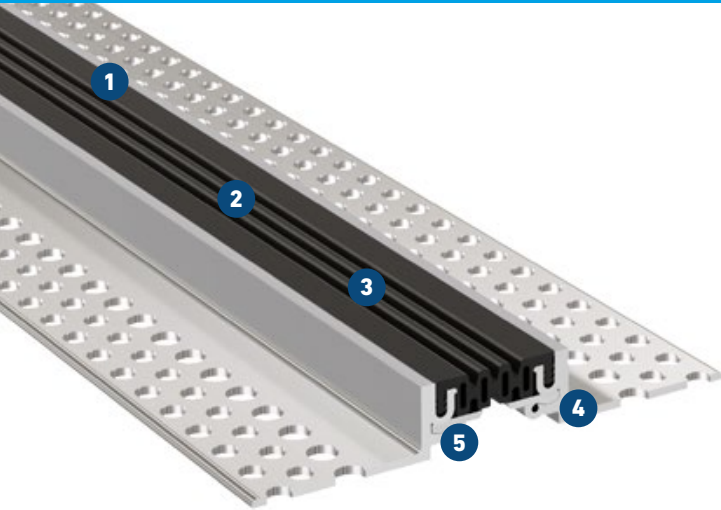
FP 55/21 NI 4S

# FP 65



FOR FLOORS AND WALLS

# MIGUTEK

JOINT COVERS FOR EXPANSION JOINTS



- 1 Flexible high quality elastomeric insert**  
Hard wearing, temperature resistant (-30°C to +120°C), replaceable
- 2 Insert and horizontal support plates replaceable**  
with series FP 85 and FP 105
- 3 Multi directional movement**
- 4 High load capacity due to sturdy construction**  
Solid aluminium brackets
- 5 Quick and easy installation**  
Positive connection of production lengths by means of connection pieces

Expansion joint cover	Joint width	Total movement	Visible width	Total width	Joint height	Load bearing capacity  [kN]	Load bearing capacity*  [kN]
	$b_f \text{ max}$ [mm]	$\Delta b_f$ [mm]	$b_s$ [mm]	$b_t$ [mm]	$h$ [mm]		
FP 65/20	55	22 ( $\pm 11$ )	65	205	20	30	300
FP 65/30	55	22 ( $\pm 11$ )	65	205	30	30	300
FP 65/50	55	22 ( $\pm 11$ )	65	205	50	30	300

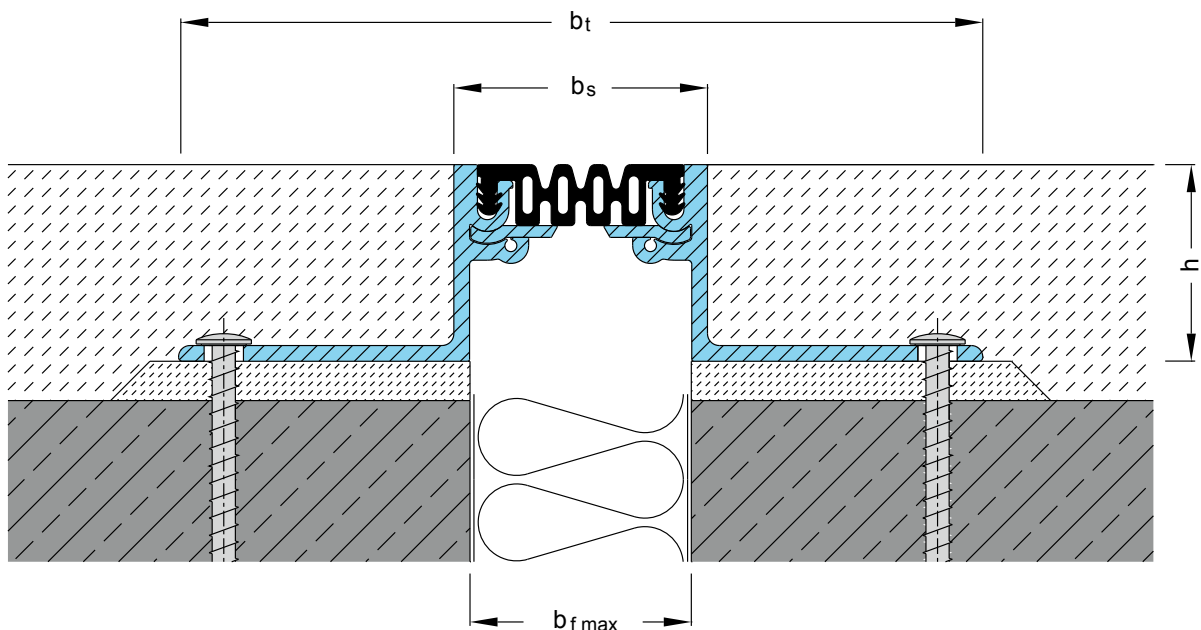
\* no continuous use

All information on load bearing capacity does only apply to non-floating floors.  
For installation in asphalt, please ask for our technical advice.

**Production length:** 4 m

**Standard colours:** black, grey, beige

**Wall connections:** E3, E4

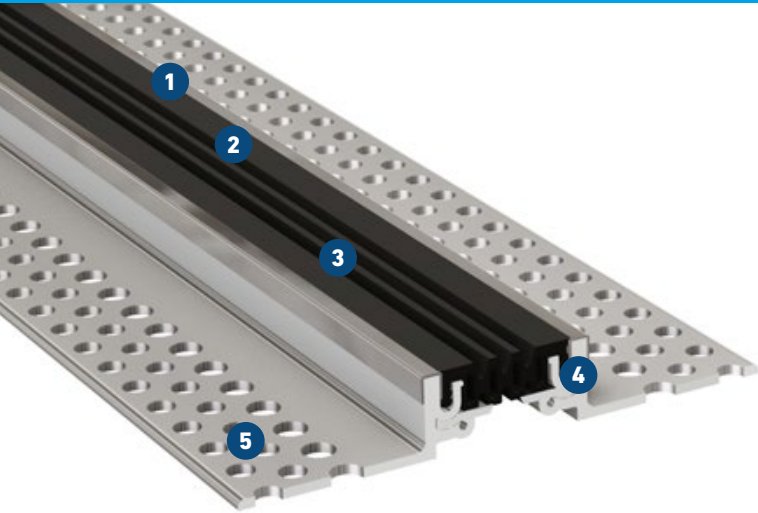


# FP 65 NI



WITH CAPPINGS MADE OF STAINLESS STEEL

# MIGUTEC

JOINT COVERS FOR EXPANSION JOINTS



- 1 Visible surface in stainless steel**
- 2 Flexible high quality elastomeric insert**  
Hard wearing, temperature resistant (-30°C to +120°C), replaceable
- 3 Multi directional movement**
- 4 High load capacity due to sturdy construction**  
Solid aluminium brackets
- 5 MultiHole mounting bracket**  
for secure fixing
- 6 Quick and easy installation**  
Positive connection of production lengths by means of connection pieces

Expansion joint cover	Joint width	Total movement	Visible width	Total width	Joint height	Load bearing capacity  [kN]	Load bearing capacity*  [kN]
	$b_f \text{ max}$ [mm]	$\Delta b_f$ [mm]	$b_s$ [mm]	$b_t$ [mm]	$h$ [mm]		
FP 65/21 NI	55	22 ( $\pm 11$ )	67	205	21	30	300
FP 65/31 NI	55	22 ( $\pm 11$ )	67	205	31	30	300
FP 65/51 NI	55	22 ( $\pm 11$ )	67	205	51	30	300

\* no continuous use

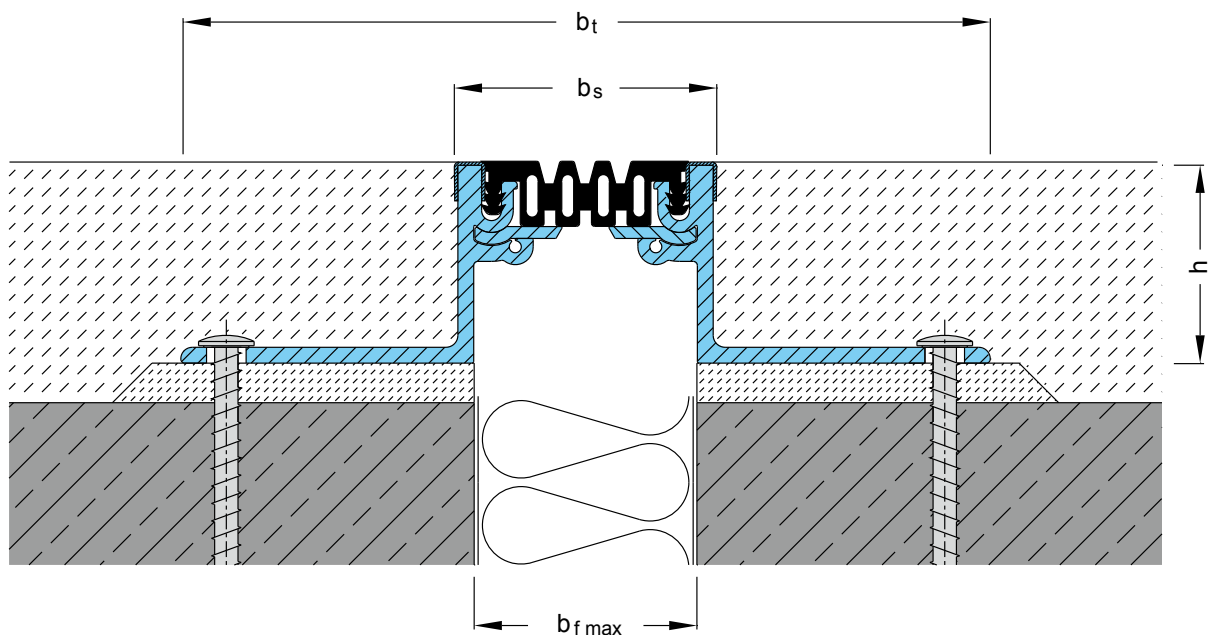
All information on load bearing capacity does only apply to non-floating floors.

For installation in asphalt, please ask for our technical advice.

**Production length:** 4 m

**Standard colours:** black, grey

**Wall connections:** E3, E4

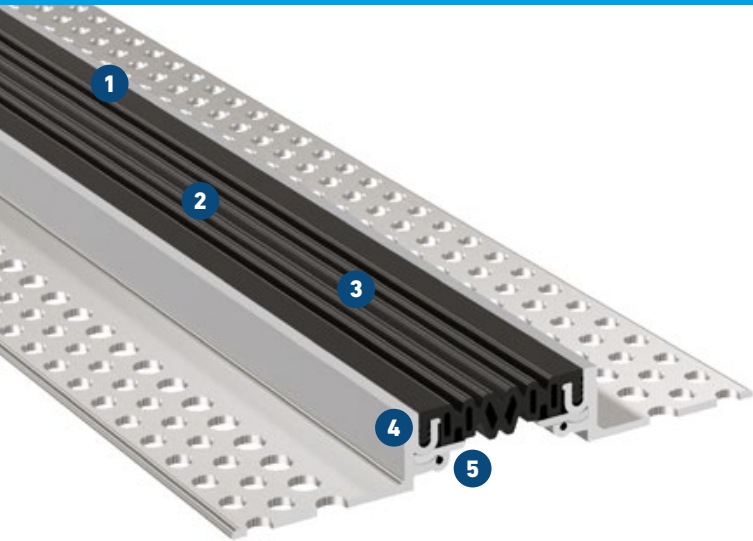


# FP 85



FOR FLOORS AND WALLS

# MIGUTEK

JOINT COVERS FOR EXPANSION JOINTS



- 1 Flexible high quality elastomeric insert**  
Hard wearing, temperature resistant (-30°C to +120°C), replaceable
- 2 Insert and horizontal support plates replaceable**  
with series FP 65 and FP 105
- 3 Multi directional movement**
- 4 High load capacity due to sturdy construction**  
Solid aluminium brackets
- 5 Quick and easy installation**  
Positive connection of production lengths by means of connection pieces

Expansion joint cover	Joint width	Total movement	Visible width	Total width	Joint height	Load bearing capacity  [kN]	Load bearing capacity*  [kN]
	$b_f \text{ max}$ [mm]	$\Delta b_f$ [mm]	$b_s$ [mm]	$b_t$ [mm]	$h$ [mm]		
FP 85/20	75	30 (±15)	82	222	20	30	300
FP 85/30	75	30 (±15)	82	222	30	30	300
FP 85/50	75	30 (±15)	82	222	50	30	300

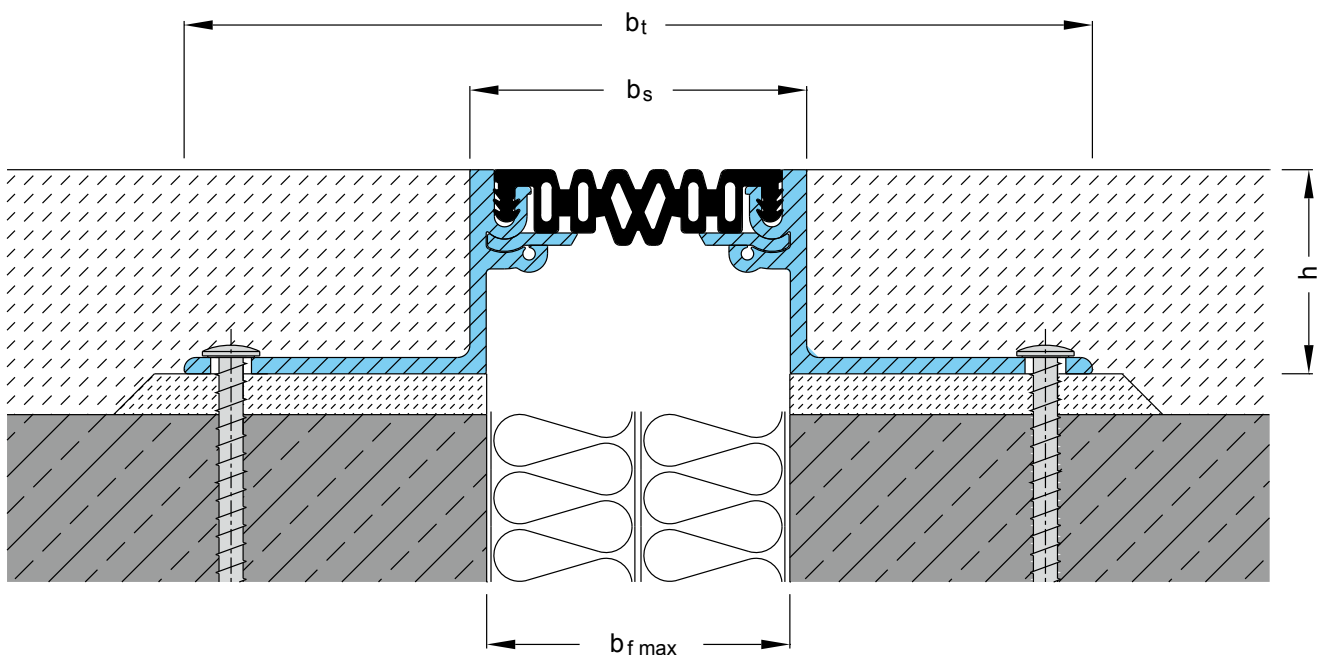
\* no continuous use

For installation in asphalt, please ask for our technical advice.  
Larger installation heights on request.

**Production length:** 4 m

**Standard colours:** black, grey, beige

**Wall connections:** E3, E4

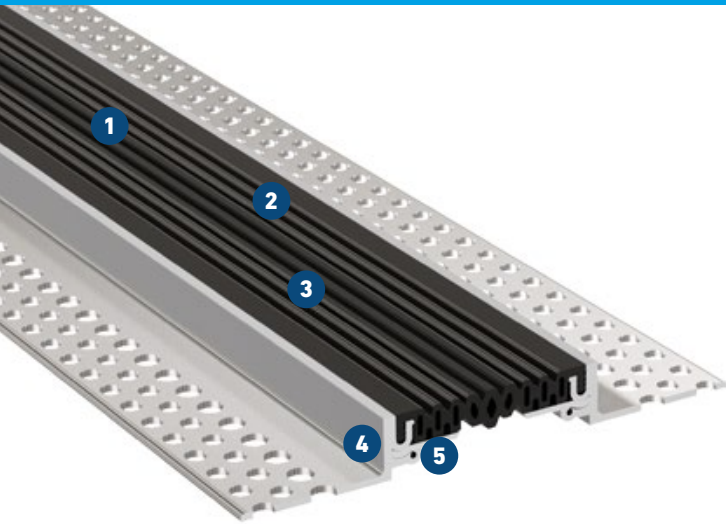


# FP 105



FOR FLOORS AND WALLS

# MIGUTEC

JOINT COVERS FOR EXPANSION JOINTS



- 1 Flexible high quality elastomeric insert**  
Hard wearing, temperature resistant (-30°C to +120°C), replaceable
- 2 Insert and horizontal support plates replaceable**  
with series FP 65 and FP 85
- 3 Multi directional movement**
- 4 High load capacity due to sturdy construction**  
Solid aluminium brackets
- 5 Quick and easy installation**  
Positive connection of production lengths by means of connection pieces

Expansion joint cover	Joint width	Total movement	Visible width	Total width	Joint height	Load bearing capacity  [kN]	Load bearing capacity*  [kN]
	$b_f \text{ max}$ [mm]	$\Delta b_f$ [mm]	$b_s$ [mm]	$b_t$ [mm]	$h$ [mm]		
FP 105/20	100	40 (±20)	109	248	20	30	300
FP 105/30	100	40 (±20)	109	248	30	30	300
FP 105/50	100	40 (±20)	109	248	50	30	300

\* no continuous use

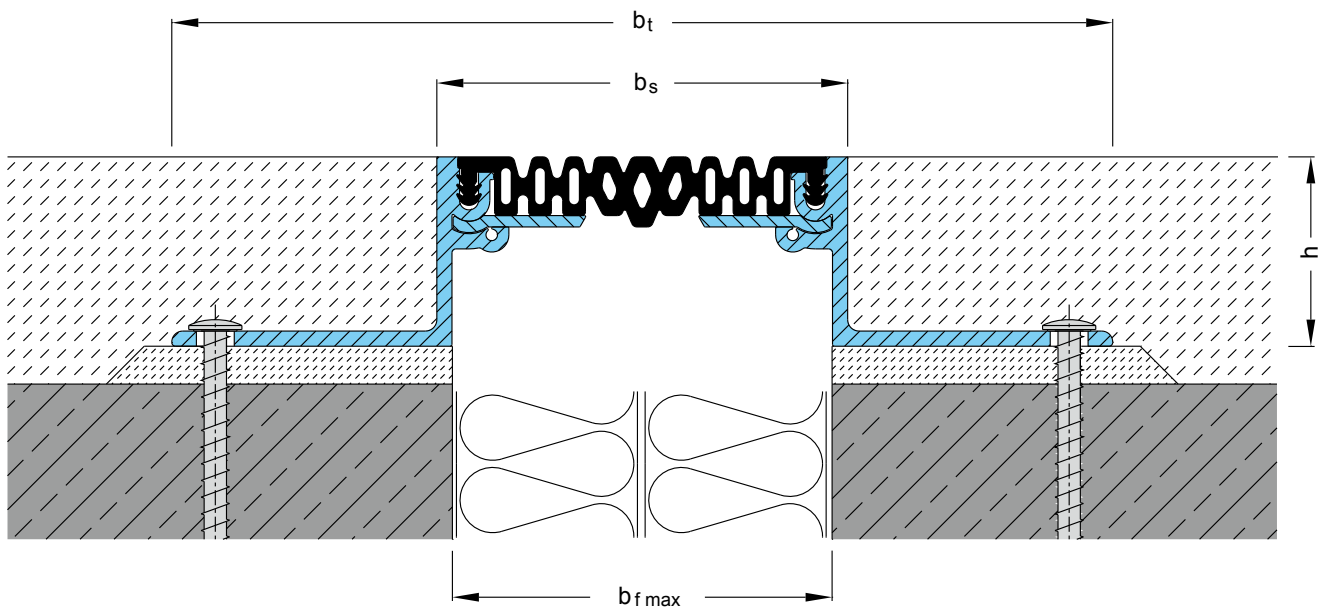
For installation in asphalt, please ask for our technical advice.

Larger installation heights on request.

**Production length:** 4 m

**Standard colours:** black, grey, beige

**Wall connections:** E3, E4

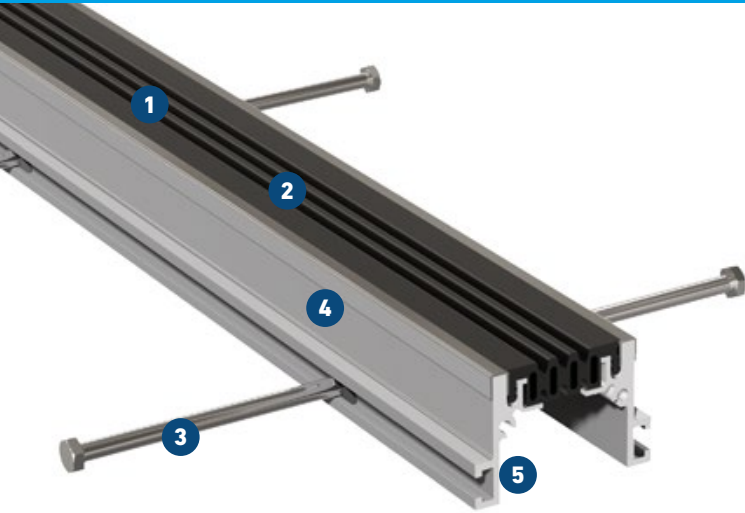


# FP 55 B (NI) 4S


FOR FLUSH INSTALLATION IN CONCRETE FLOORS  
VARIANTE MIT ABDECKKAPPEN AUS EDELSTAHL

# MIGUTEC

JOINT COVERS FOR EXPANSION JOINTS



- 1 Flexible high quality elastomeric insert**  
Hard wearing, temperature resistant (-30°C to +120°C), replaceable
- 2 Designed for where additional layers of concrete are being cast to strengthen existing slabs**  
Slideable anchor rods for adjustable welding to the reinforcement
- 3 Multi directional movement**
- 4 High load capacity due to sturdy construction**  
Solid aluminium brackets, also available with stainless steel covers
- 5 Quick and easy installation**  
Positive connection of production lengths by means of connection pieces

Expansion joint cover	Joint width	Total movement	Visible width	Total width	Joint height	Load bearing capacity  [kN]	Load bearing capacity*  [kN]
	$b_f \text{ max}$ [mm]	$\Delta b_f$ [mm]	$b_s$ [mm]	$b_t$ [mm]	$h$ [mm]		
FP 55 B 4S	57	22 ( $\pm 11$ )	65	298	55	30	300
FP 55 B NI 4S	57	22 ( $\pm 11$ )	65	298	56	30	300

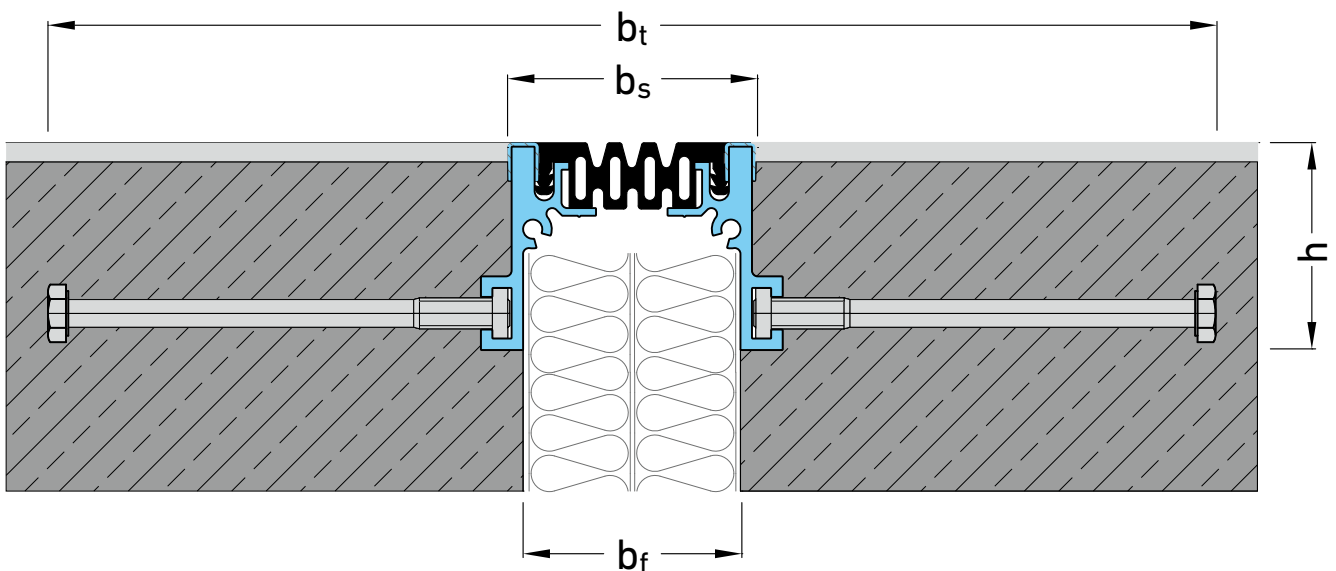
\* no continuous use

**Production length:** 4 m

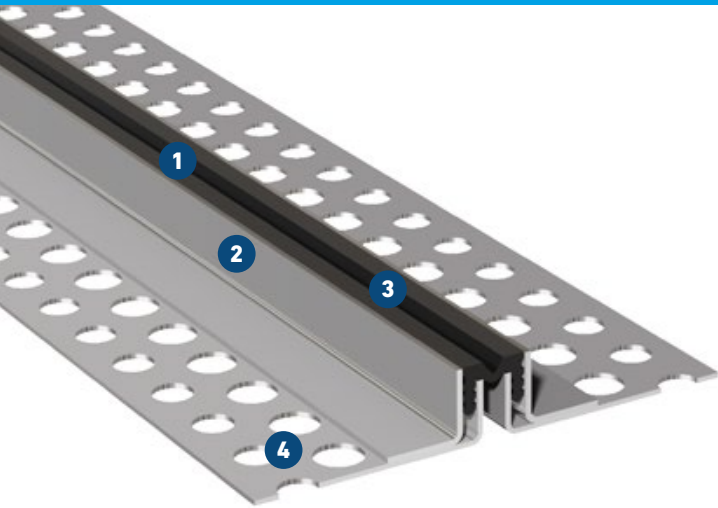
Visible surface also available in stainless steel. Version FP 55 B NI 4S.

**Standard colours:** black, grey

**Wall connections:** E1, E3, E4





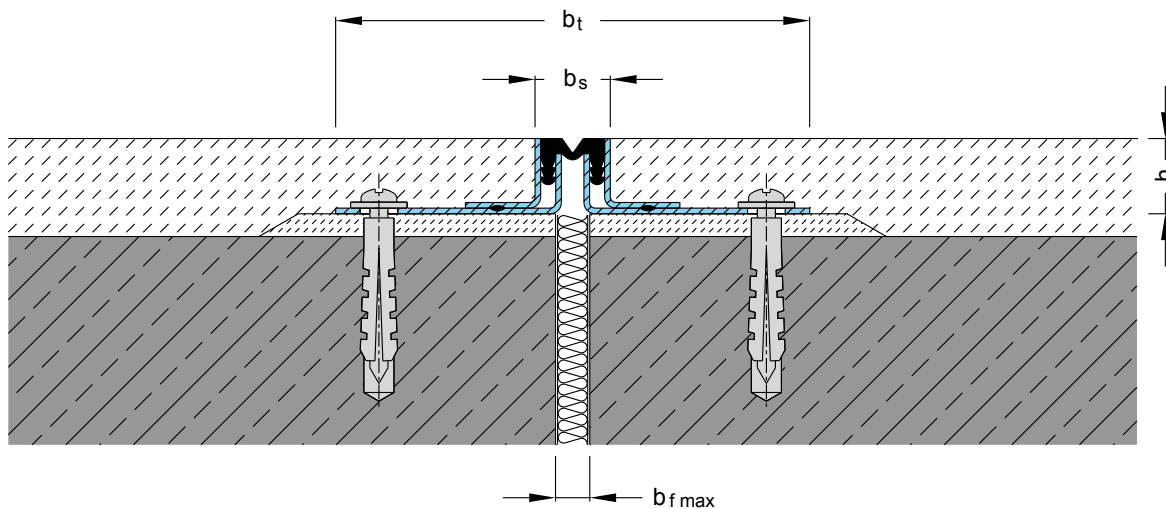


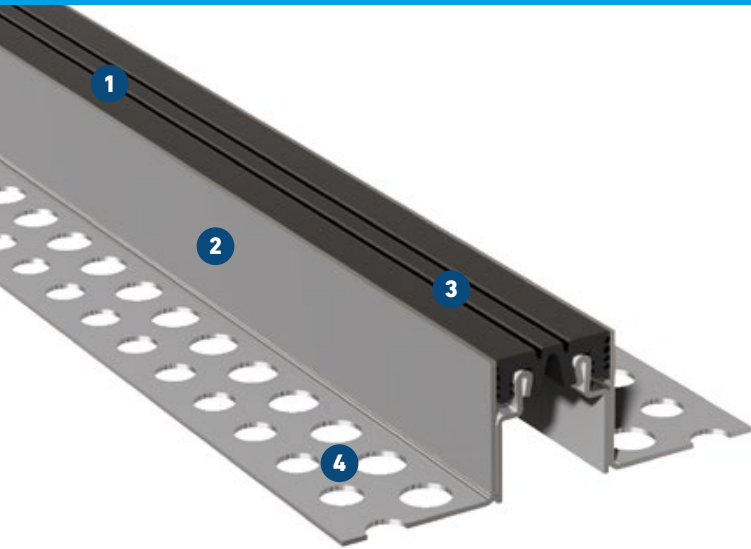
- 1 Flexible high quality elastomeric insert**  
Hard wearing, temperature resistant (-30°C to +120°C), replaceable
- 2 Solid stainless steel brackets**  
Resistant to aggressive media (e.g. sea water)
- 3 Multi directional movement**
- 4 MultiHole mounting bracket**  
for secure fixing

Expansion joint cover	Joint width	Total movement	Visible width	Total width	Joint height	Load bearing capacity*	Load bearing capacity*
	$b_f \text{ max}$ [mm]	$\Delta b_f$ [mm]	$b_s$ [mm]	$b_t$ [mm]	$h$ [mm]	[kN]	[kN]
ES 20/20	20	5 (+3/-2)	20	126	20	30	30
ES 20/35	20	5 (+3/-2)	20	95	35	30	30
ES 20/40	20	5 (+3/-2)	20	95	40	30	30
ES 20/50	20	5 (+3/-2)	20	95	50	30	30



\* no continuous use  
All info on load capacities apply to doweled, not to floating installation.  
For installation in asphalt, please ask for our technical advice.  
Larger installation heights on request.

- Material:** 1.4301 (alloy 304)
- Production length:** 3 m (ES 20/20: 2 m)
- Standard colours:** black, grey
- Stainless steel:** mill finish
- Wall connections:** E1, E3, E4





- 1 Flexible high quality elastomeric insert**  
Hard wearing, temperature resistant (-30°C to +120°C), replaceable
- 2 Multi directional movement**
- 3 Solid stainless steel brackets**  
Resistant to aggressive media (e.g. sea water)
- 4 MultiHole mounting bracket**  
for secure fixing

Expansion joint cover	Joint width	Total movement	Visible width	Total width	Joint height	Load bearing capacity*  [kN]	Load bearing capacity*  [kN]
	$b_f \text{ max}$ [mm]	$\Delta b_f$ [mm]	$b_s$ [mm]	$b_t$ [mm]	$h$ [mm]		
ES 33/15	30	10 (±5)	33	139	15	30	30
ES 33/35	30	10 (±5)	33	108	35	30	30
ES 33/40	30	10 (±5)	33	108	40	30	30
ES 33/50	30	10 (±5)	33	108	50	30	30

\* no continuous use

All info on load capacities apply to doweled, not to floating installation.

For installation in asphalt, please ask for our technical advice.

Larger installation heights on request.

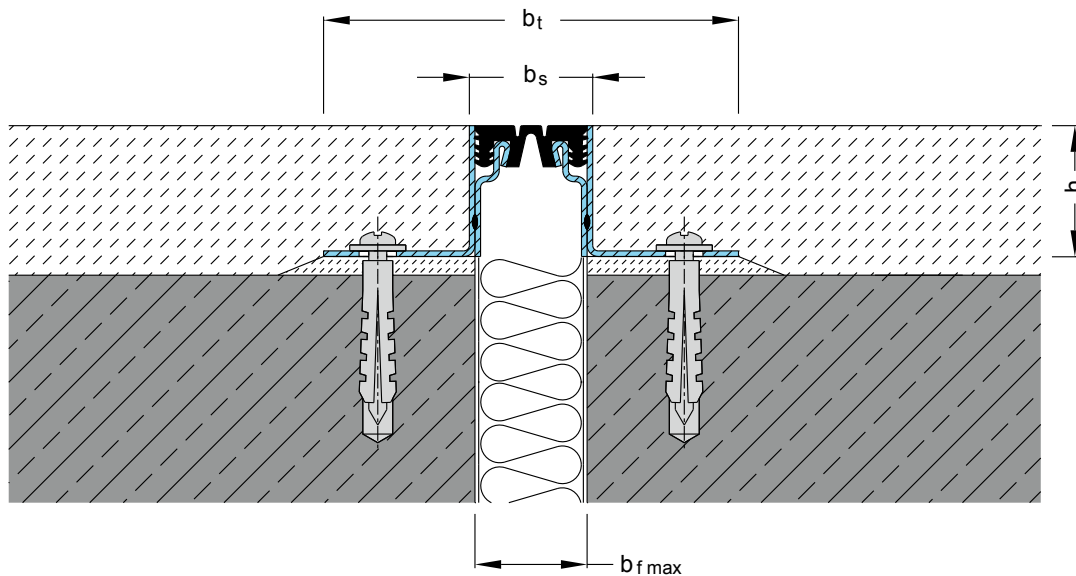
**Material:** 1.4301 (alloy 304)

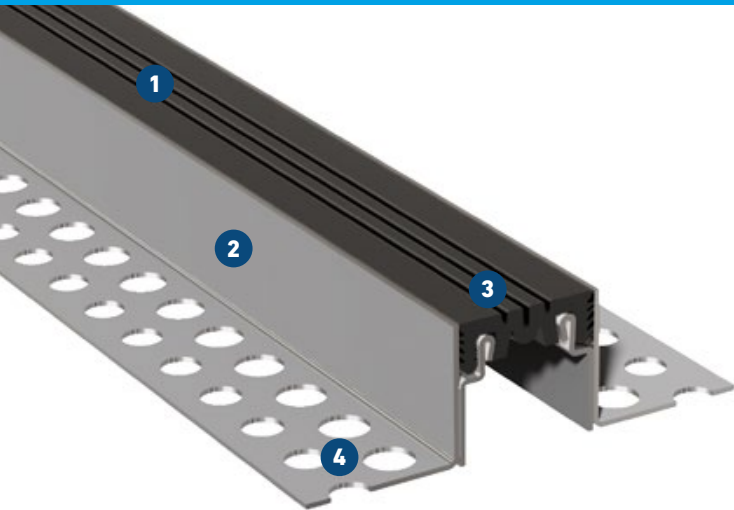
**Production length:** 3 m (ES 33/15: 2 m)

**Standard colours:** black, grey, beige, brown



**Stainless steel:** mill finish

**Wall connections:** E3, E4



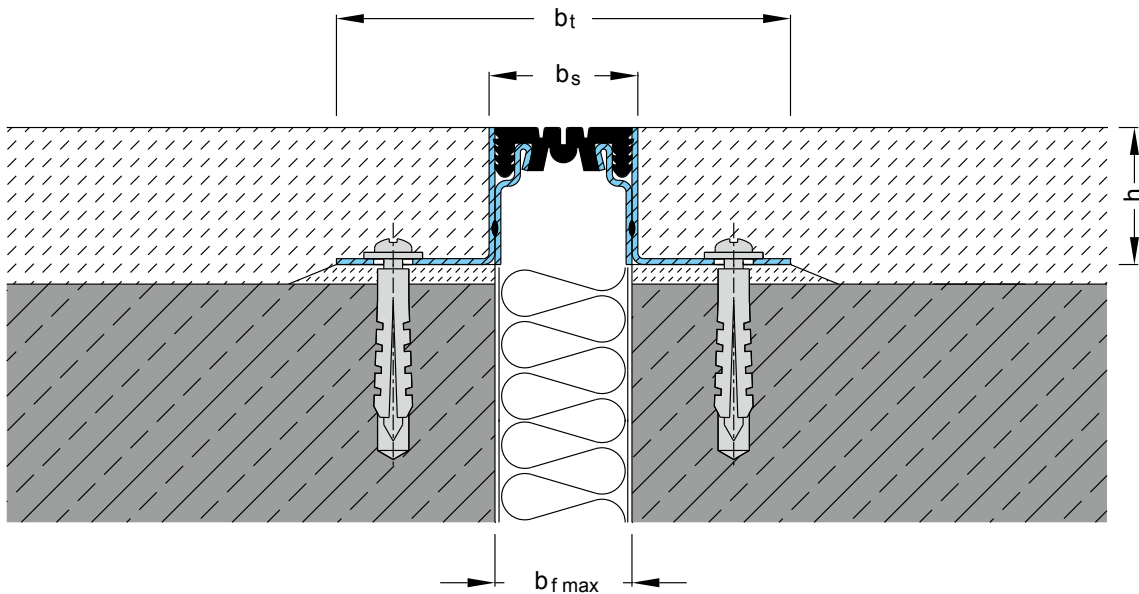


- 1 Flexible high quality elastomeric insert**  
Hard wearing, temperature resistant (-30°C to +120°C), replaceable
- 2 Multi directional movement**
- 3 Solid stainless steel brackets**  
Resistant to aggressive media (e.g. sea water)
- 4 MultiHole mounting bracket**  
for secure fixing

Expansion joint cover	Joint width	Total movement	Visible width	Total width	Joint height	Load bearing capacity*  [kN]	Load bearing capacity*  [kN]
	$b_f \text{ max}$ [mm]	$\Delta b_f$ [mm]	$b_s$ [mm]	$b_t$ [mm]	$h$ [mm]		
ES 39/15	35	14 ( $\pm 7$ )	39	145	15	30	30
ES 39/35	35	14 ( $\pm 7$ )	39	114	35	30	30
ES 39/40	35	14 ( $\pm 7$ )	39	114	40	30	30
ES 39/50	35	14 ( $\pm 7$ )	39	114	50	30	30

\* no continuous use  
All information on load bearing capacity does only apply to non-floating floors.  
For installation in asphalt, please ask for our technical advice.  
Larger installation heights on request.

- Material:** 1.4301 (alloy 304)
- Production length:** 3 m (ES 39/15: 2 m)
- Standard colours:** black, grey, beige
- Stainless steel:** mill finish
- Wall connections:** E3, E4

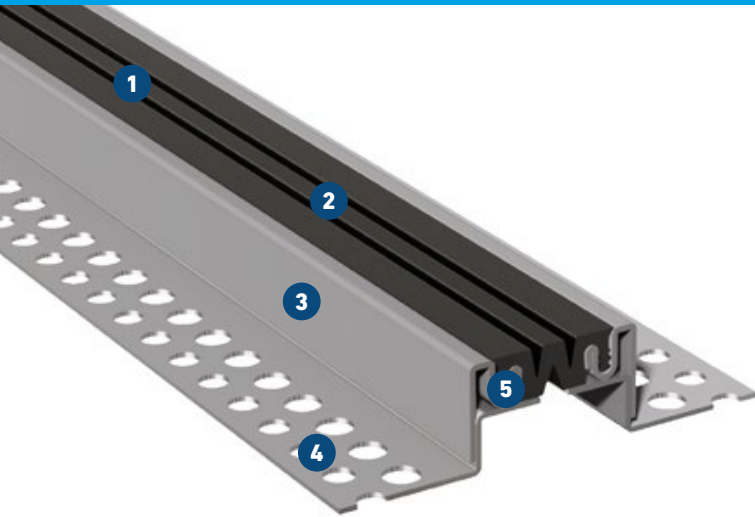


# ES 60

FOR HEAVY DUTY FLOORS, RESISTANT TO AGGRESSIVE FLUIDS

# MIGUTEC

JOINT COVERS FOR EXPANSION JOINTS



- 1 Flexible high quality elastomeric insert**  
Hard wearing, temperature resistant (-30°C to +120°C), replaceable
- 2 Multi directional movement**
- 3 Solid stainless steel brackets**  
Resistant to aggressive media (e.g. sea water)
- 4 MultiHole mounting bracket**  
for secure fixing
- 5 High load capacity**  
suitable for Forklift trucks

Expansion joint cover	Joint width $b_f \text{ max}$ [mm]	Total movement $\Delta b_f$ [mm]	Visible width $b_s$ [mm]	Total width $b_t$ [mm]	Joint height $h$ [mm]	Load bearing capacity* [kN]	Load bearing capacity [kN]
ES 60/19	40	16 (+10/-6)	60	160	19	90	35
ES 60/35	50	16 (+10/-6)	60	152	35	90	35

\* no continuous use

Larger installation heights on request.

Expansion joint covers from height 35 mm are supplied with a single-hole row and pre-drilled fixing holes.

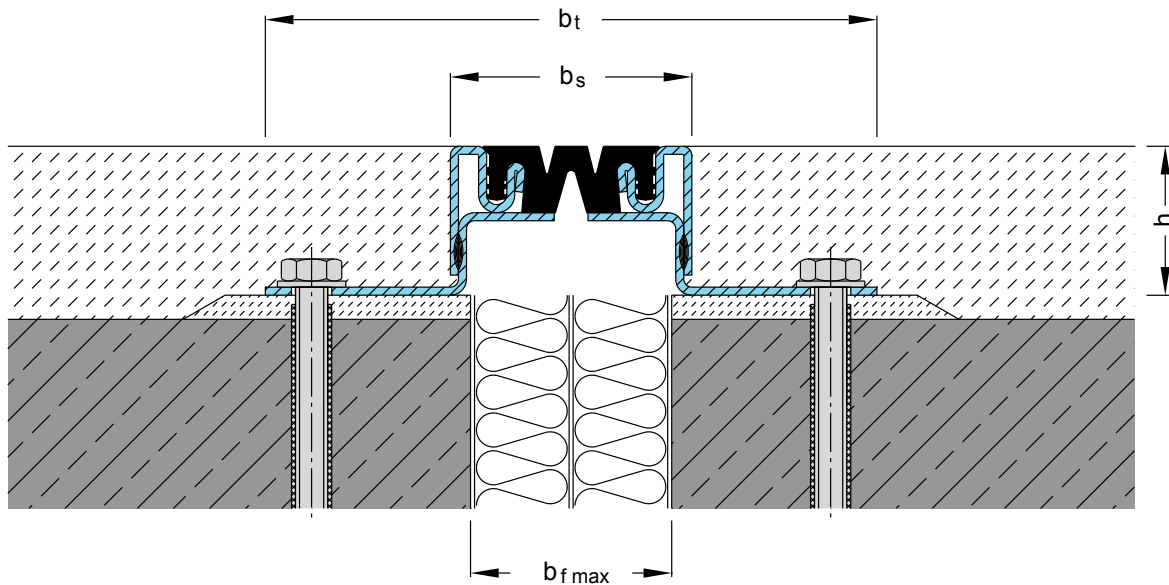
**Material:** 1.4401 (alloy 316)

**Production length:** 4 m

**Standard colours:** black, grey

**Stainless steel:** mill finish

**Wall connections:** E3, E4

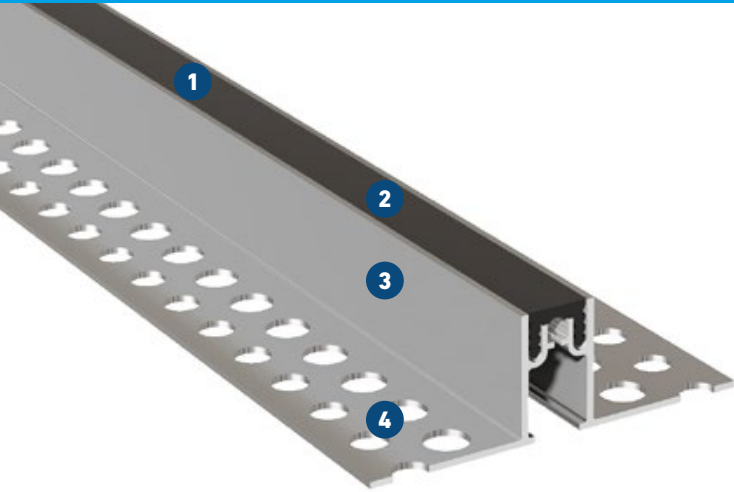


# FLG 21


FOR FLOORS WITH HYGIENIC REQUIREMENTS

# MIGUTEC

JOINT COVERS FOR EXPANSION JOINTS



- 1 Flexible high quality elastomeric insert**  
 Hard wearing, temperature resistant (-30°C to +120°C), replaceable
- 2 Smooth visible surface for easy cleaning**  
 Antibacterial and physiologically safe
- 3 Quick and easy installation**  
 Solid, but light aluminium brackets for quick installation in screed or tiled floorings
- 4 MultiHole mounting bracket**  
 for secure fixing

Expansion joint cover	Joint width $b_f \text{ max}$ [mm]	Total movement $\Delta b_f$ [mm]	Visible width $b_s$ [mm]	Total width $b_t$ [mm]	Joint height $h$ [mm]	Load bearing capacity*  [kN]
FLG 21/20	20	2 ( $\pm 1$ )	21	107	20	30
FLG 21/35	20	2 ( $\pm 1$ )	21	111	35	30
FLG 21/50	20	2 ( $\pm 1$ )	21	111	50	30

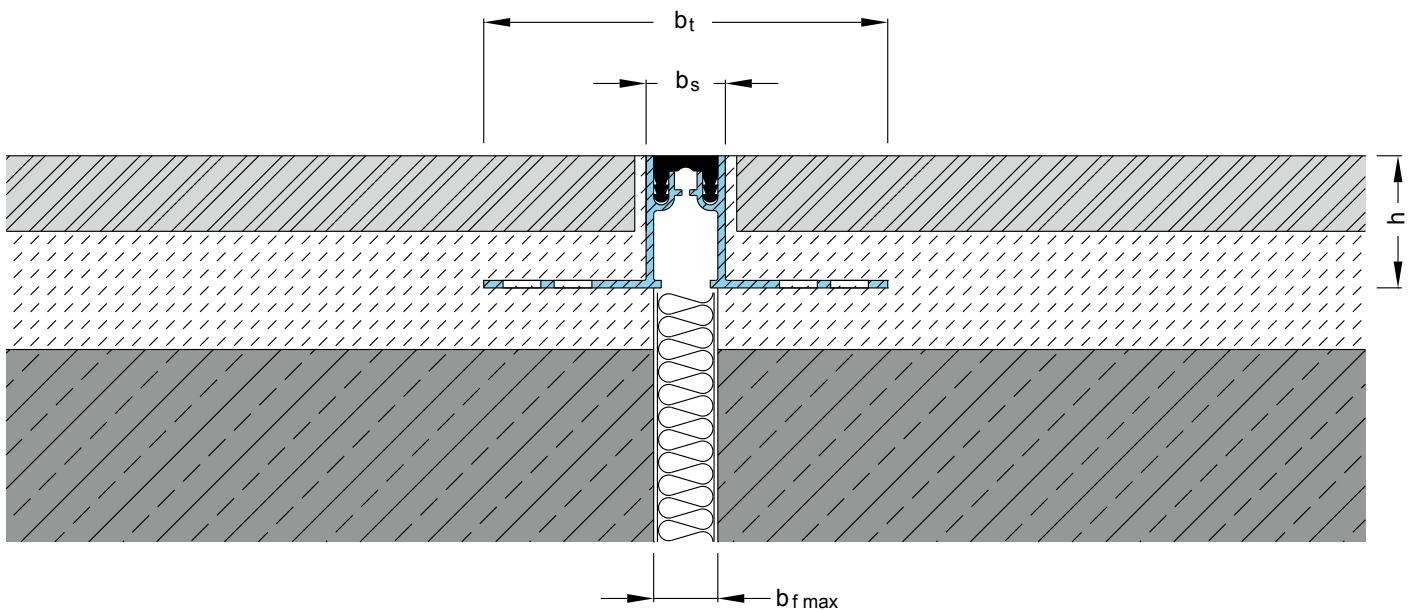
\* no continuous use

All information on load bearing capacity does only apply to non-floating floors.

For installation in asphalt, please ask for our technical advice.

**Standard colours:** black, grey

**Wall connections:** E3, E4

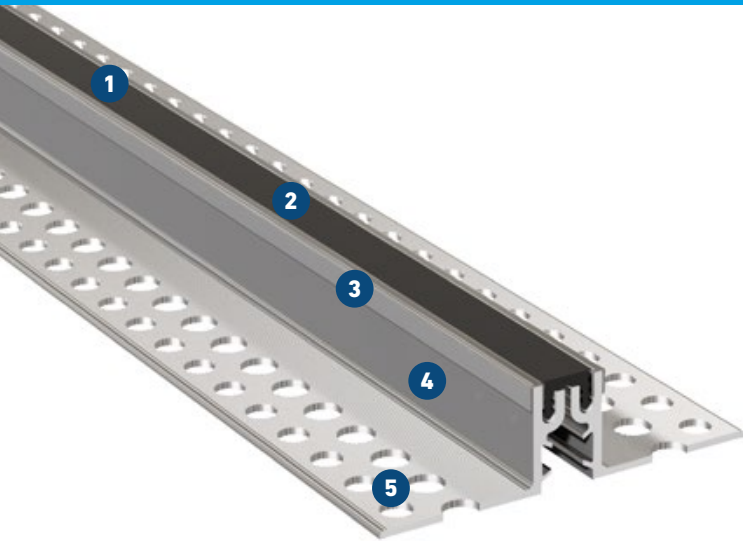


# FPG 26 NI

FOR FLOORS WITH HYGIENIC REQUIREMENTS, WITH CAPPINGS MADE OF STAINLESS STEEL

# MIGUTEK

JOINT COVERS FOR EXPANSION JOINTS



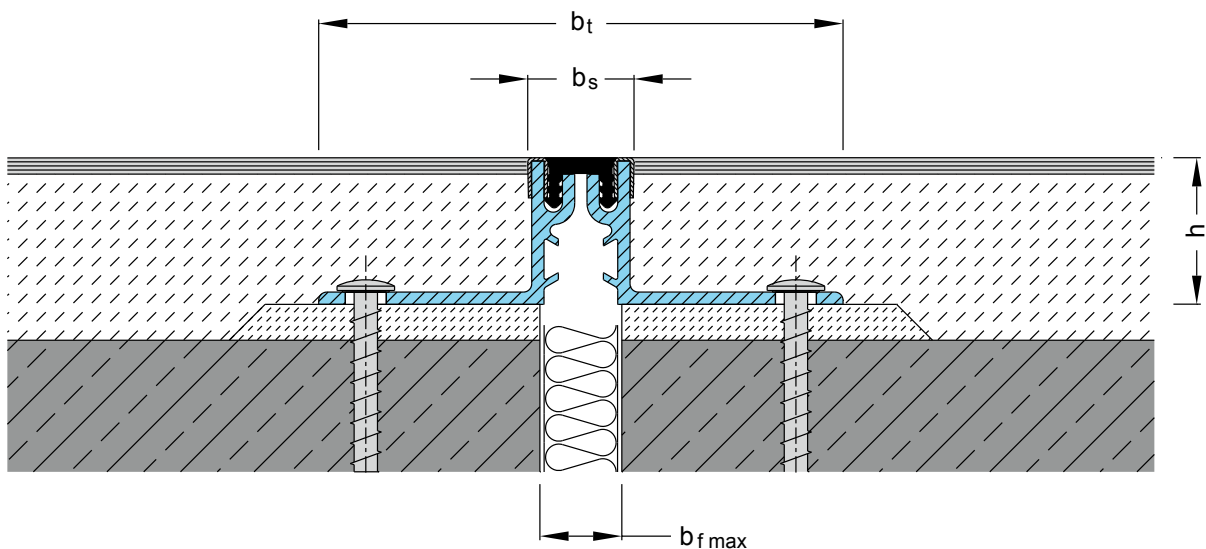
- 1 Flexible high quality elastomeric insert**  
Hard wearing, temperature resistant (-30°C to +120°C), replaceable
- 2 Smooth visible surface for easy cleaning**  
Antibacterial and physiologically safe
- 3 Visible surface stainless steel**
- 4 High load capacity due to sturdy construction**  
Solid aluminium brackets
- 5 MultiHole mounting bracket**  
for secure fixing

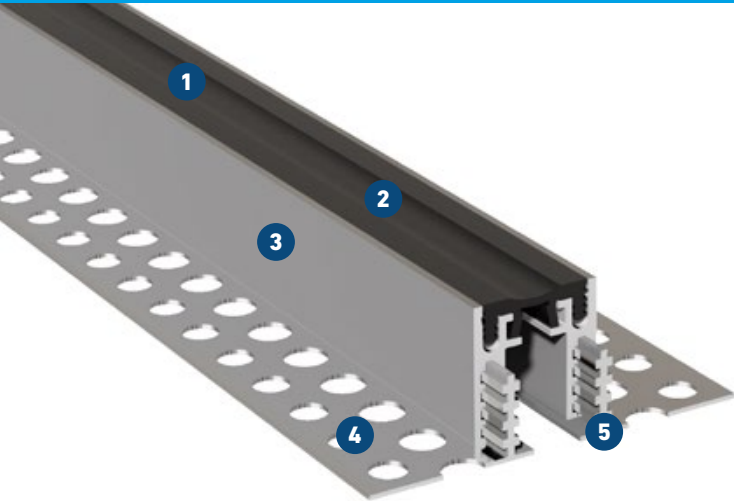
Expansion joint cover	Joint width $b_f \text{ max}$ [mm]	Total movement $\Delta b_f$ [mm]	Visible width $b_s$ [mm]	Total width $b_t$ [mm]	Joint height $h$ [mm]	Load bearing capacity  [kN]	Load bearing capacity  [kN]	Load bearing capacity  solid plastic tyres [kg/mm]
FPG 26 NI	20	2 (±1)	27	128	35	300	70	5

All information on load bearing capacity does only apply to non-floating floors.  
For installation in asphalt, please ask for our technical advice.



**Production length:** 4 m

**Standard colours:** black, grey





- 1 Flexible high quality elastomeric insert**  
Hard wearing, temperature resistant (-30°C to +120°C), replaceable
- 2 Smooth visible surface for easy cleaning**  
Antibacterial and physiologically safe
- 3 Quick and easy installation**  
Solid, but light aluminium brackets for quick installation in screed or tiled floorings
- 4 MultiHole mounting bracket**  
for secure fixing
- 5 Flexible adaptation to site conditions**  
Available with adjustable installation height

Expansion joint cover	Joint width	Total movement	Visible width	Total width	Joint height	Load bearing capacity*  [kN]	Load bearing capacity*  [kN]
	$b_f \text{ max}$ [mm]	$\Delta b_f$ [mm]	$b_s$ [mm]	$b_t$ [mm]	$h$ [mm]		
FG 35/15	30	6 ( $\pm 3$ )	35	108	15	30	30
FG 35/20	30	6 ( $\pm 3$ )	35	108	20	30	30
FG 35/25	30	6 ( $\pm 3$ )	35	108	25	30	30
FG 35/35	30	6 ( $\pm 3$ )	35	125	35	30	30
FG 35/50	30	6 ( $\pm 3$ )	35	125	50	30	30
FG 35/4055	30	6 ( $\pm 3$ )	35	108	40, 45, 50, 55	30	30
FG 35/6075	30	6 ( $\pm 3$ )	35	108	60, 65, 70, 75	30	30
FG 35/7590	30	6 ( $\pm 3$ )	35	108	75, 80, 85, 90	30	30
FG 35/90105	30	6 ( $\pm 3$ )	35	108	90, 95, 100, 105	30	30

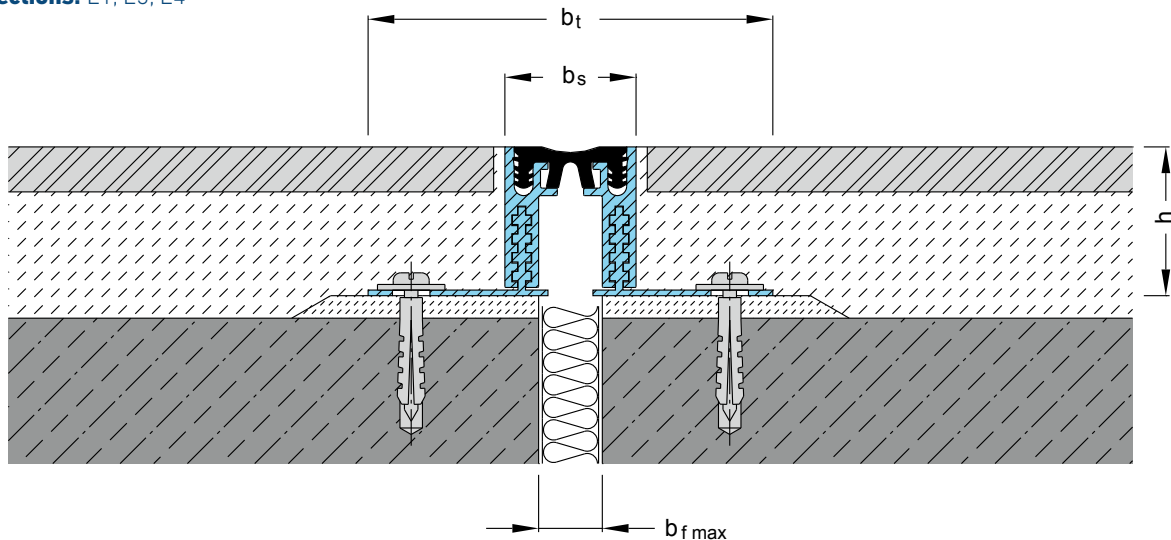
\* no continuous use

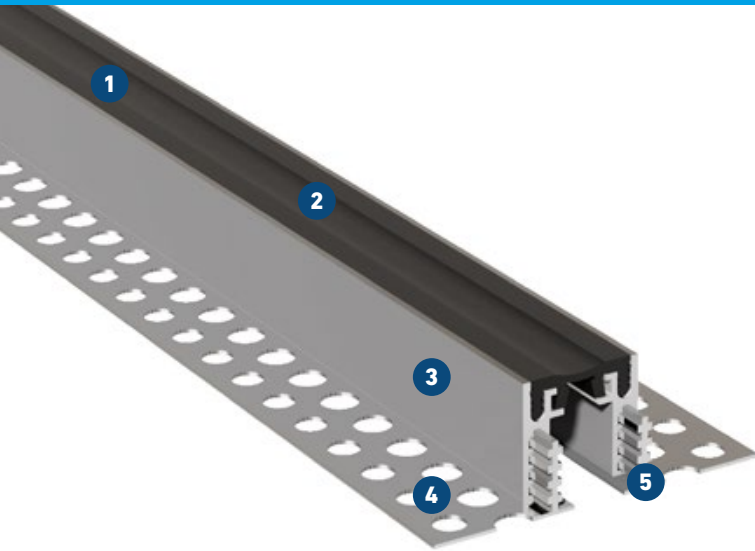
All info on load capacities apply to doweled, not to floating installation.  
For installation in asphalt, please ask for our technical advice.

**Production length:** 4 m

**Standard colours:** black, grey, beige, brown

**Wall connections:** E1, E3, E4





- 1 Flexible high quality elastomeric insert**  
Hard wearing, temperature resistant (-30°C to +120°C), replaceable
- 2 Smooth visible surface for easy cleaning**  
Antibacterial and physiologically safe
- 3 Quick and easy installation**  
Solid, but light aluminium brackets for quick installation in screed or tiled floorings
- 4 MultiHole mounting bracket**  
for secure fixing
- 5 Flexible adaptation to site conditions**  
Available with adjustable installation height

Expansion joint cover	Joint width	Total movement	Visible width	Total width	Joint height	Load bearing capacity*	Load bearing capacity*
	$b_f \text{ max}$ [mm]	$\Delta b_f$ [mm]	$b_s$ [mm]	$b_t$ [mm]	$h$ [mm]	[kN]	[kN]
FG 41/15	35	6 (±3)	41	114	15	30	30
FG 41/20	35	6 (±3)	41	114	20	30	30
FG 41/25	35	6 (±3)	41	114	25	30	30
FG 41/35	35	6 (±3)	41	131	35	30	30
FG 41/50	35	6 (±3)	41	131	50	30	30
FG 41/4055	35	6 (±3)	41	114	40, 45, 50, 55	30	30
FG 41/6075	35	6 (±3)	41	114	60, 65, 70, 75	30	30
FG 41/7590	35	6 (±3)	41	114	75, 80, 85, 90	30	30
FG 41/90105	35	6 (±3)	41	114	90, 95, 100, 105	30	30

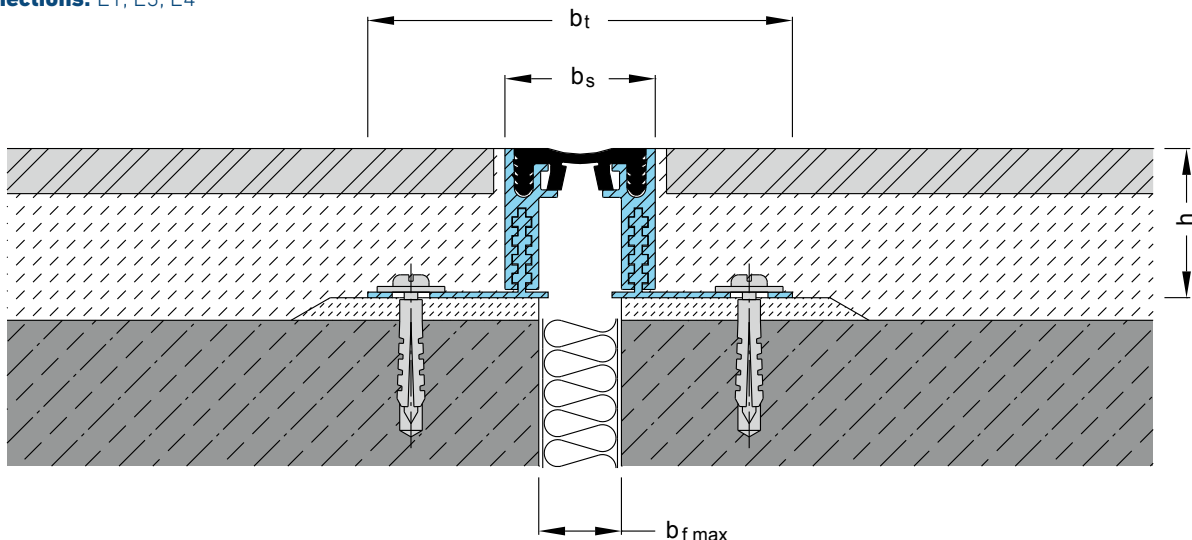
\* no continuous use

All info on load capacities apply to doweled, not to floating installation.  
For installation in asphalt, please ask for our technical advice.

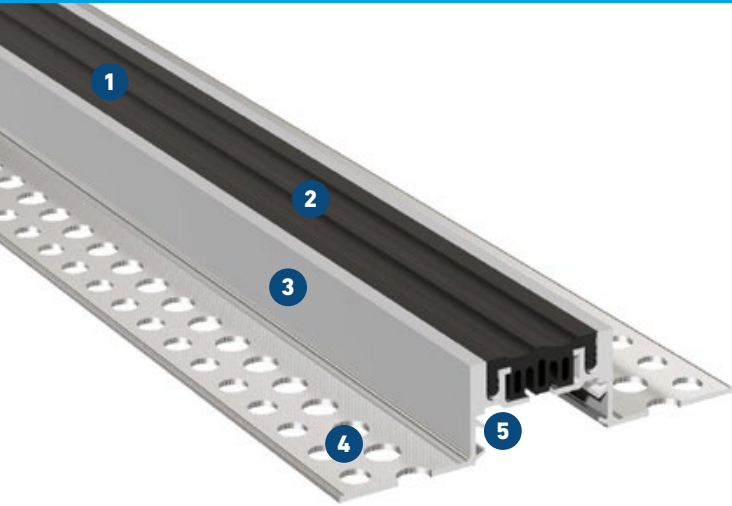
**Production length:** 4 m

**Standard colours:** black, grey, beige



**Wall connections:** E1, E3, E4







- 1 Flexible high quality elastomeric insert**  
Hard wearing, temperature resistant (-30°C to +120°C), replaceable
- 2 Smooth visible surface for easy cleaning**  
Antibacterial and physiologically safe
- 3 High load capacity due to sturdy construction**  
Solid aluminium brackets
- 4 MultiHole mounting bracket**  
for secure fixing
- 5 Quick and easy installation**  
Solid, but light aluminium brackets for quick installation in screed or tiled floorings

Expansion joint cover	Joint width	Total movement	Visible width	Total width	Joint height	Load bearing capacity  [kN]	Load bearing capacity*  [kN]
	$b_f \text{ max}$ [mm]	$\Delta b_f$ [mm]	$b_s$ [mm]	$b_t$ [mm]	$h$ [mm]		
FPG 55/20	50	8 (±4)	55	150	20	30	300
FPG 55/25	50	8 (±4)	55	150	25	30	300
FPG 55/35	50	8 (±4)	55	150	35	30	300
FPG 55/50	50	8 (±4)	55	150	50	30	300
FPG 55/75	50	8 (±4)	55	150	75	30	300

\* no continuous use

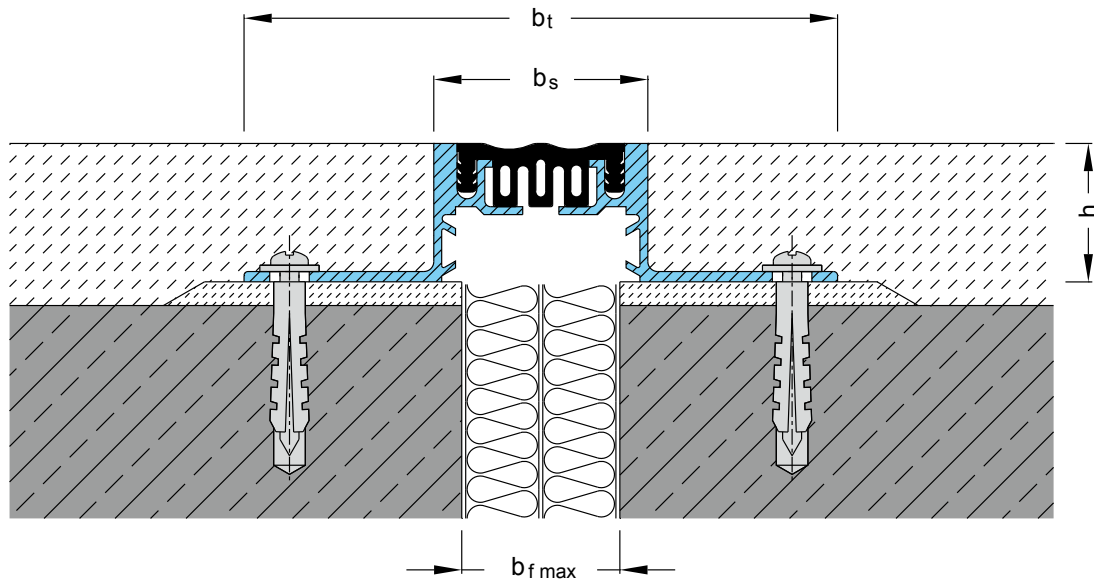
For installation in asphalt, please ask for our technical advice.

Larger installation heights on request.

**Production length:** 4 m

**Standard colours:** black, grey, beige

**Wall connections:** E1, E3, E4

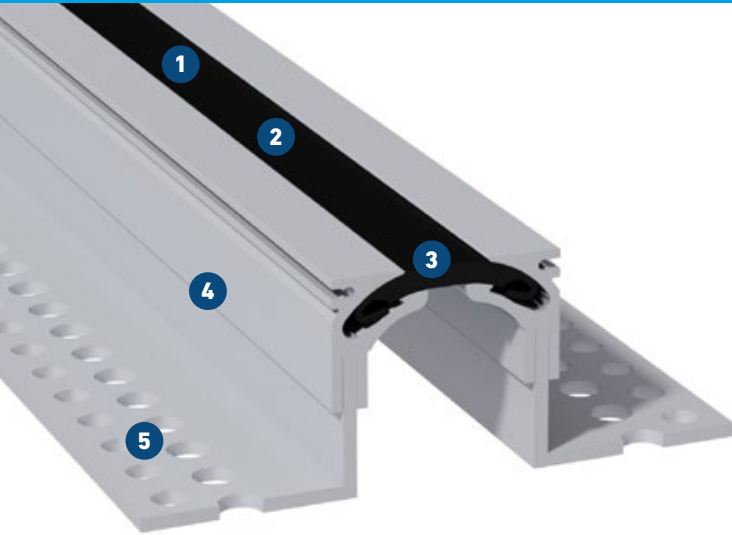


# FGH 65

THE EXPANSION JOINT COVER FOR AREAS WITH STRICT HYGIENIC REQUIREMENTS AND HIGH AESTHETIC DEMANDS

# MIGUTEC

JOINT COVERS FOR EXPANSION JOINTS



- 1 Ultra-smooth insert for residue-free cleaning**  
Thus optimal sterility and physiologically safe
- 2 Seamless, symmetrical visible surface**  
Hard-wear special insert for smoother, low-noise transit
- 3 Innovative solution**  
Suitable for hospital-typical vehicles, such as hospital beds and food trolleys
- 4 High load capacity due to sturdy construction**  
Solid aluminium brackets
- 5 Secure fixing due to MultiHole mounting bracket**  
Flexible anchoring and excellent bond

**Ideal for use with various types of floor covering**

Expansion joint cover	Joint width	Total movement	Visible width	Total width	Joint height	Load bearing capacity*  [kN]	Load bearing capacity*  [kN]
	$b_f \text{ max}$ [mm]	$\Delta b_f$ [mm]	$b_s$ [mm]	$b_t$ [mm]	$h$ [mm]		
FGH 65/38	50	20 ( $\pm 10$ )	65	148	38	30	300
FGH 65/50	50	20 ( $\pm 10$ )	65	171	50	30	300
FGH 65/60	50	20 ( $\pm 10$ )	65	171	60	30	300
FGH 65/70	50	20 ( $\pm 10$ )	65	171	70	30	300

\* no continuous use

All information on load bearing capacity does only apply to non-floating floors.

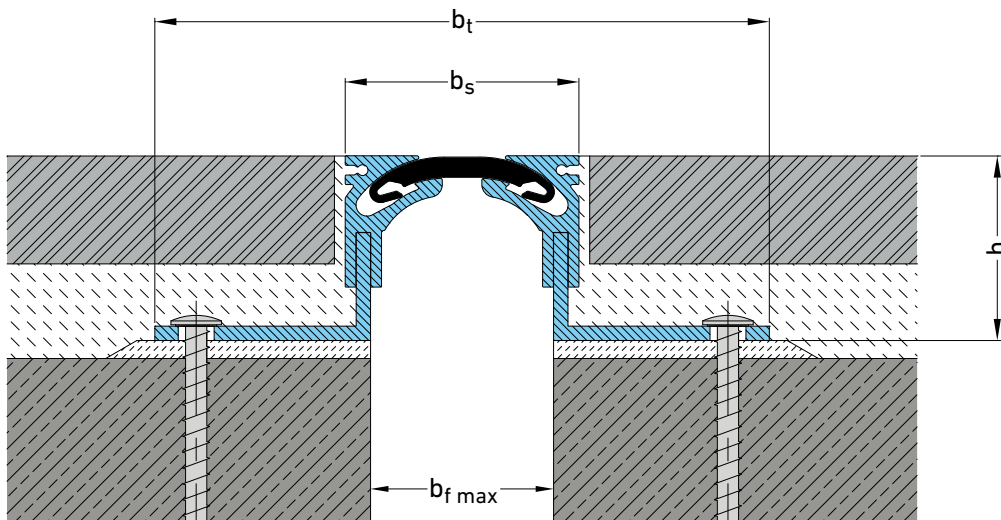
For installation in asphalt, please ask for our technical advice.

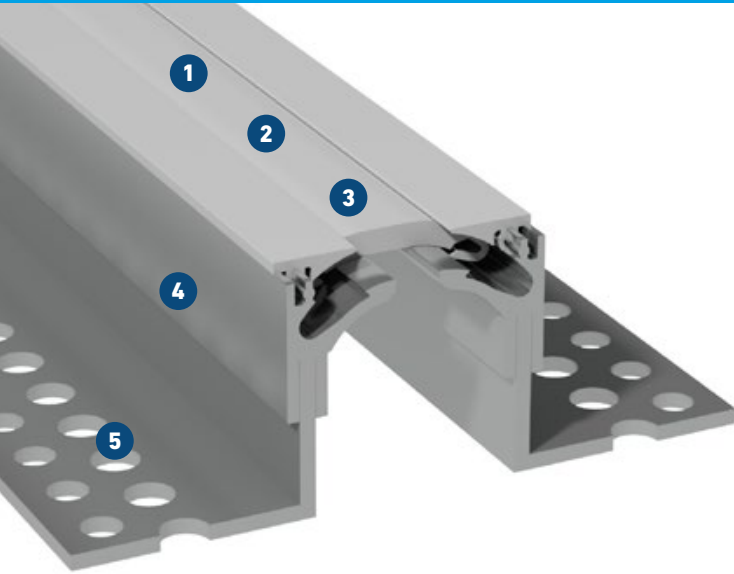
Larger installation heights on request.

**Production length:** 3 m

**Standard colours:** black, grey

**Wall connections:** E3, E4





- 1 Ultra-smooth insert for residue-free cleaning**  
Ensures optimal sterility and is physiologically safe
- 2 Seamless, symmetrical visible surface**  
Hard-wear special insert for smoother, low-noise transit
- 3 New: Innovative clip design**  
Insert is fully replaceable over entire length of expansion joint cover
- 4 Secure fixing due to MultiHole mounting bracket**  
Flexible anchoring and excellent bond
- 5 Innovative solution**  
Suitable for hospital-typical vehicles, such as hospital beds and food trolleys

Expansion joint cover	Joint width	Total movement	Visible width	Total width	Joint height	Load bearing capacity*	Load bearing capacity*
	$b_f \text{ max}$ [mm]	$\Delta b_f$ [mm]	$b_s$ [mm]	$b_t$ [mm]	$h$ [mm]	[kN]	[kN]
FGH2 65/30	50	20 ( $\pm 10$ )	65	148	30	30	
FGH2 65/38	50	20 ( $\pm 10$ )	65	148	38	30	
FGH2 65/50	50	20 ( $\pm 10$ )	65	171	50	30	
FGH2 65/60	50	20 ( $\pm 10$ )	65	171	60	30	
FGH2 65/70	50	20 ( $\pm 10$ )	65	171	70	30	

\* no continuous use

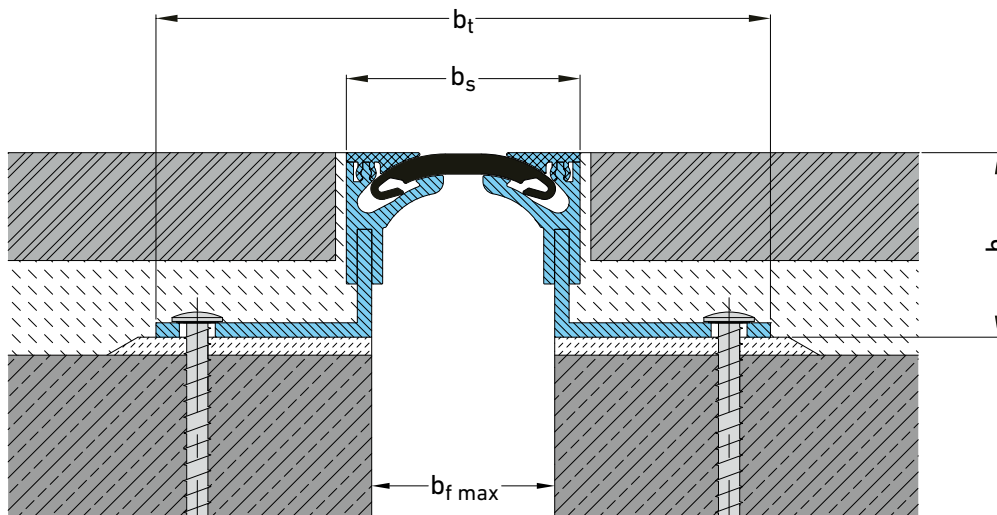
All information on load bearing capacity does only apply to non-floating floors.

Larger installation heights on request.

**Production length:** 3 m

**Standard colours:** black, grey

**Wall connections:** E3, E4

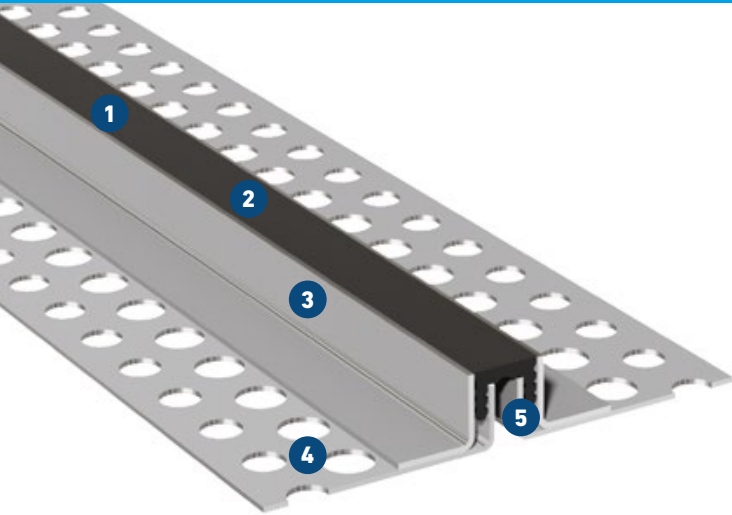


# ESG 20



FOR FLOORS WITH HYGIENIC REQUIREMENTS, RESISTANT TO AGGRESSIVE FLUIDS

# MIGUTEC

JOINT COVERS FOR EXPANSION JOINTS



- 1 Flexible high quality elastomeric insert**  
Hard wearing, temperature resistant (-30°C to +120°C), replaceable
- 2 Smooth visible surface for easy cleaning**  
Antibacterial and physiologically safe
- 3 Solid stainless steel brackets**  
Resistant to aggressive media (e.g. sea water)
- 4 Secure fixing with MultiHole mounting bracket**  
Firm bond and extraordinary gripping strength
- 5 Multi directional movement**  
Expansion joint cover takes on settling

Expansion joint cover	Joint width	Total movement	Visible width	Total width	Joint height	Load bearing capacity*  [kN]	Load bearing capacity*  [kN]
	$b_f \text{ max}$ [mm]	$\Delta b_f$ [mm]	$b_s$ [mm]	$b_t$ [mm]	$h$ [mm]		
ESG 20/20	20	2 ( $\pm 1$ )	20	126	20	30	30
ESG 20/35	20	2 ( $\pm 1$ )	20	95	35	30	30
ESG 20/40	20	2 ( $\pm 1$ )	20	95	40	30	30
ESG 20/50	20	2 ( $\pm 1$ )	20	95	50	30	30

\* no continuous use

All info on load capacities apply to doweled, not to floating installation.  
Larger installation heights on request.

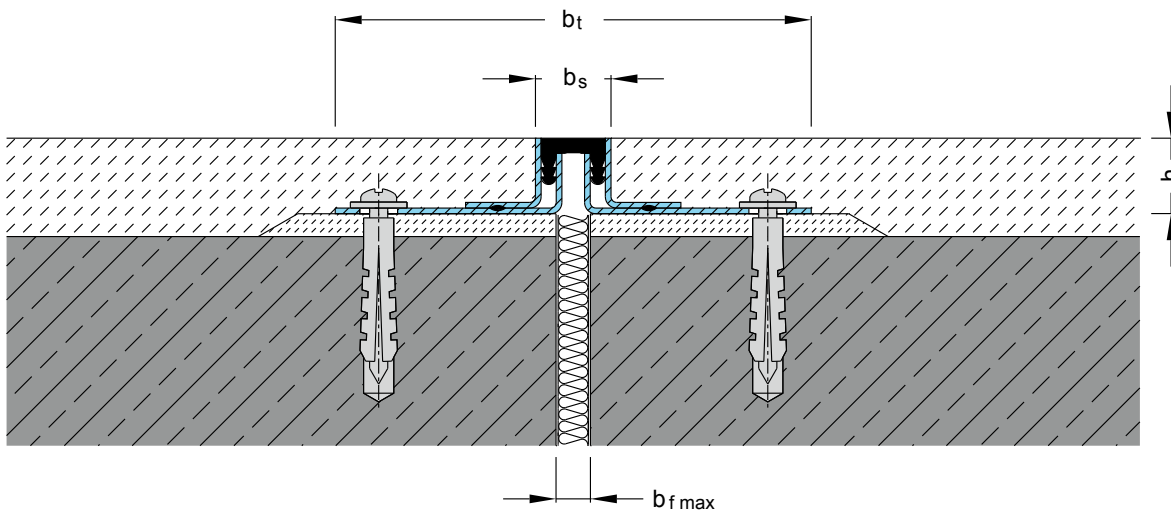
**Material:** 1.4301 (alloy 304)

**Production length:** 3 m (ESG 20/20: 2 m)

**Standard colours:** black, grey

**Stainless steel:** mill finish

**Wall connections:** E3, E4

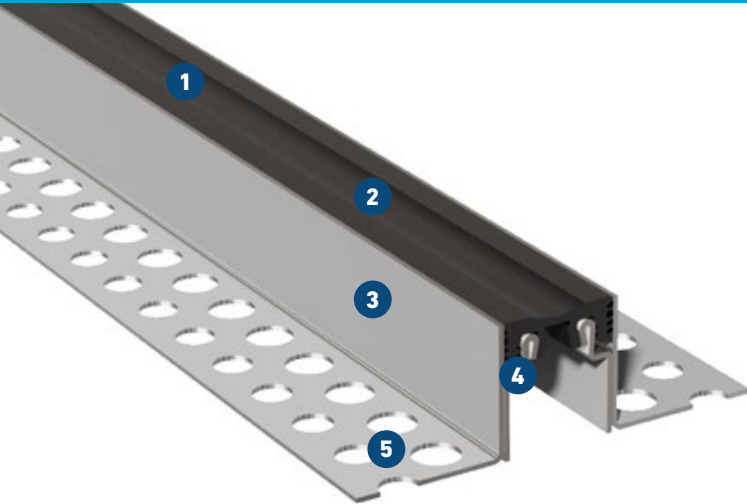


# ESG 33

FOR FLOORS WITH HYGIENIC REQUIREMENTS, RESISTANT TO AGGRESSIVE FLUIDS

# MIGUTEK

JOINT COVERS FOR EXPANSION JOINTS



- 1 Flexible high quality elastomeric insert**  
Hard wearing, temperature resistant (-30°C to +120°C), replaceable
- 2 Smooth visible surface for easy cleaning**  
Antibacterial and physiologically safe
- 3 Solid stainless steel brackets**  
Resistant to aggressive media (e.g. sea water)
- 4 Multi directional movement**  
Expansion joint cover takes on settling
- 5 Secure fixing with MultiHole mounting bracket**  
Firm bond and extraordinary gripping strength

Expansion joint cover	Joint width	Total movement	Visible width	Total width	Joint height	Load bearing capacity* [kN]	Load bearing capacity* [kN]
	$b_f \text{ max}$ [mm]	$\Delta b_f$ [mm]	$b_s$ [mm]	$b_t$ [mm]	$h$ [mm]		
ESG 33/15	30	6 ( $\pm 3$ )	33	139	15	30	30
ESG 33/35	30	6 ( $\pm 3$ )	33	108	35	30	30
ESG 33/40	30	6 ( $\pm 3$ )	33	108	40	30	30
ESG 33/50	30	6 ( $\pm 3$ )	33	108	50	30	30

\* no continuous use

All info on load capacities apply to doweled, not to floating installation.

Larger installation heights on request.

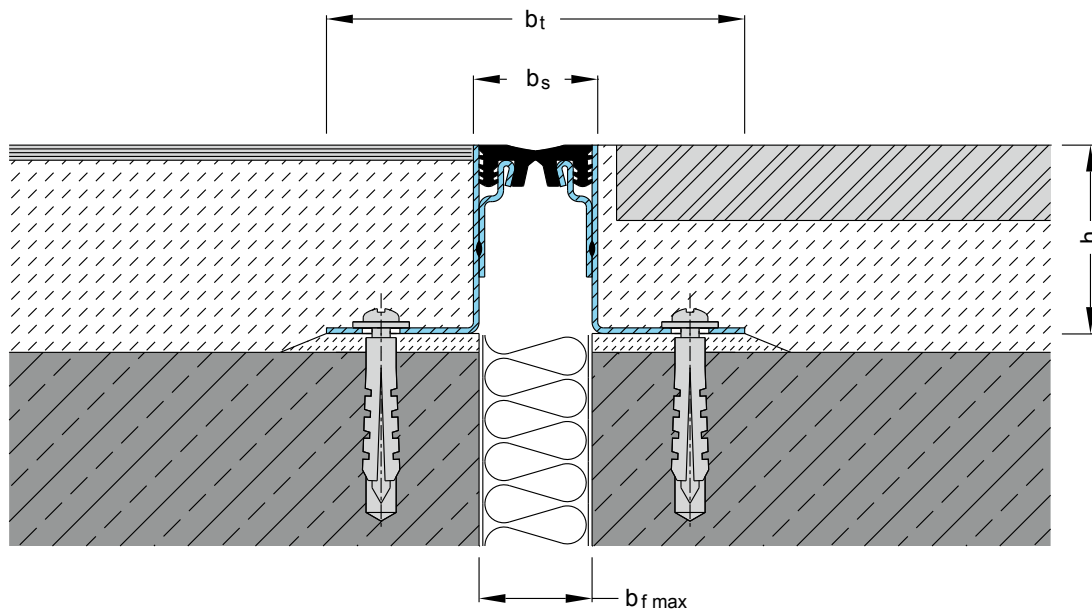
**Material:** 1.4301 (alloy 304)

**Production length:** 3 m (ESG 33/15: 2 m)

**Standard colours:** black, grey, beige, brown

**Stainless steel:** mill finish

**Wall connections:** E1, E3, E4

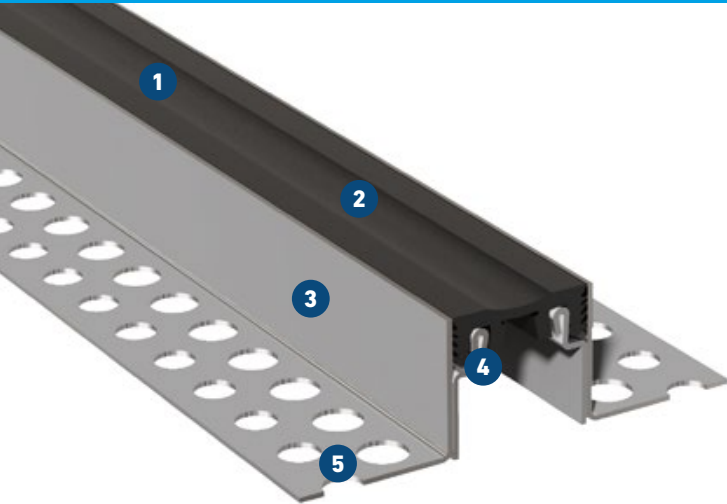


# ESG 39

FOR FLOORS WITH HYGIENIC REQUIREMENTS, RESISTANT TO AGGRESSIVE FLUIDS

# MIGUTEK

JOINT COVERS FOR EXPANSION JOINTS



- 1 Flexible high quality elastomeric insert**  
Hard wearing, temperature resistant (-30°C to +120°C), replaceable
- 2 Smooth visible surface for easy cleaning**  
Antibacterial and physiologically safe
- 3 Solid stainless steel brackets**  
Resistant to aggressive media (e.g. sea water)
- 4 Multi directional movement**
- 5 MultiHole mounting bracket**  
for secure fixing

Expansion joint cover	Joint width	Total movement	Visible width	Total width	Joint height	Load bearing capacity* [kN]	Load bearing capacity* [kN]
	$b_f \text{ max}$ [mm]	$\Delta b_f$ [mm]	$b_s$ [mm]	$b_t$ [mm]	$h$ [mm]		
ESG 39/15	35	6 ( $\pm 3$ )	39	145	15	30	30
ESG 39/35	35	6 ( $\pm 3$ )	39	114	35	30	30
ESG 39/40	35	6 ( $\pm 3$ )	39	114	40	30	30
ESG 39/50	35	6 ( $\pm 3$ )	39	114	50	30	30

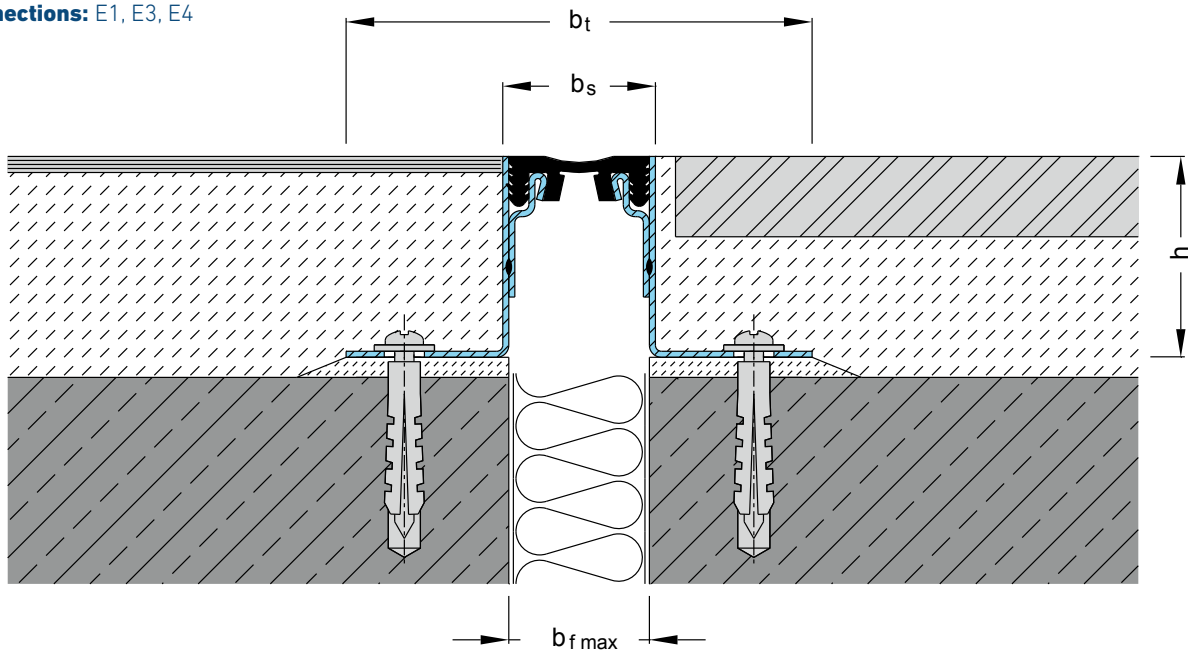
\* no continuous use  
All information on load bearing capacity does only apply to non-floating floors.  
For installation in asphalt, please ask for our technical advice.  
Larger installation heights on request.

**Material:** 1.4301 (alloy 304)

**Production length:** 3 m (ESG 39/15: 2 m)

**Standard colours:** black, grey, beige

**Wall connections:** E1, E3, E4

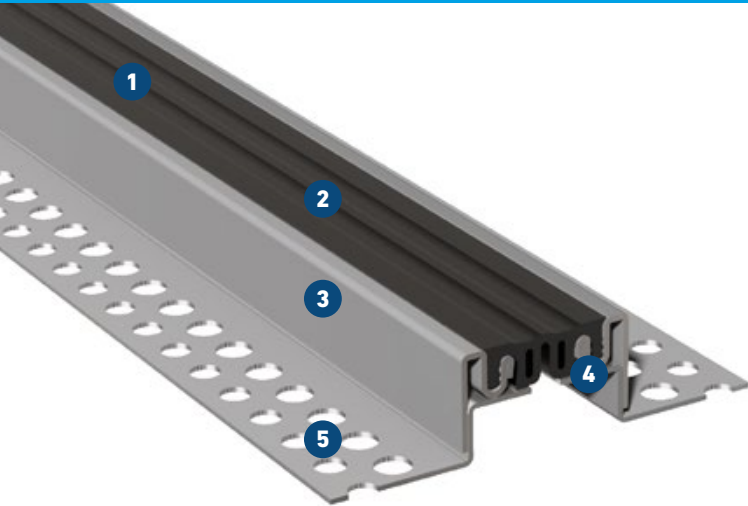


# ESG 60

FOR FLOORS WITH HYGIENIC REQUIREMENTS, RESISTANT TO AGGRESSIVE FLUIDS

# MIGUTEC

JOINT COVERS FOR EXPANSION JOINTS



- 1 Flexible high quality elastomeric insert**  
Hard wearing, temperature resistant (-30°C to +120°C), replaceable
- 2 Smooth visible surface for easy cleaning**  
Antibacterial and physiologically safe
- 3 Solid stainless steel brackets**  
Resistant to aggressive media (e.g. sea water)
- 4 High load capacity**  
suitable for Forklift trucks
- 5 MultiHole mounting bracket**  
for secure fixing

### Multi directional movement

Expansion joint cover	Joint width $b_f \text{ max}$ [mm]	Total movement $\Delta b_f$ [mm]	Visible width $b_s$ [mm]	Total width $b_t$ [mm]	Joint height $h$ [mm]	Load bearing capacity  [kN]	Load bearing capacity*  [kN]	Load bearing capacity  [kN]
ESG 60/19	40	8 ( $\pm 4$ )	60	160	19	30	90	35
ESG 60/35	50	8 ( $\pm 4$ )	60	152	35	30	90	35

\* no continuous use

All information on load bearing capacity does only apply to non-floating floors.

Larger installation heights on request.

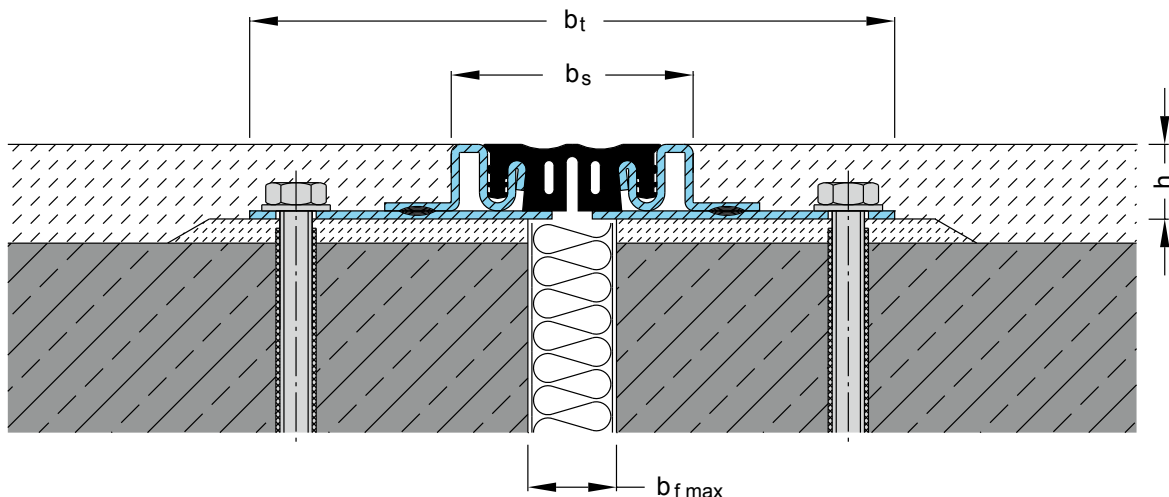
Expansion joint covers from height 35 mm are supplied with a single-hole row and pre-drilled fixing holes.

**Material:** 1.4401 (alloy 316)

**Production length:** 4 m

**Standard colour:** grey

**Wall connections:** E3, E4

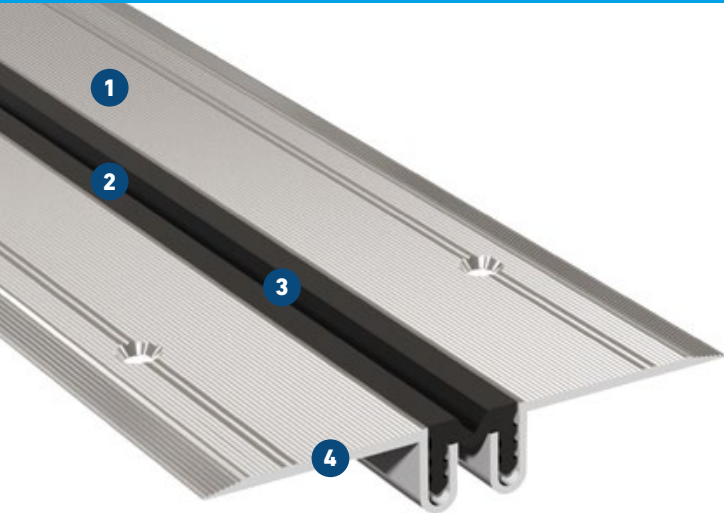


# FN 20

FOR FLOORS – SURFACE FIXING

# MIGUTEC

JOINT COVERS FOR EXPANSION JOINTS



- 1 Anti slip surface ensures good skid resistance**  
Special striated surface, also suitable for sports areas
- 2 Flexible high quality elastomeric insert**  
Hard wearing, temperature resistant (-30°C to +120°C)
- 3 Economical**  
Insert replaceable at any time
- 4 Very flat design**  
Perfect for surface fixing

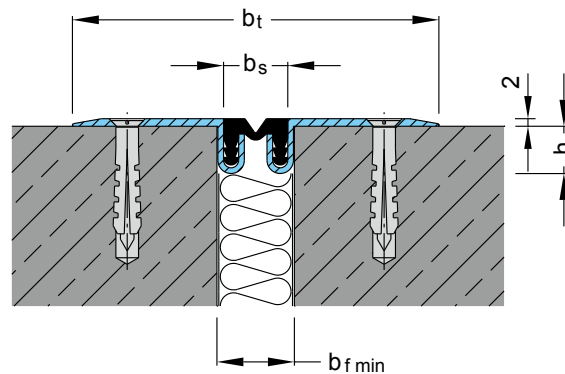
Expansion joint cover	Total movement $\Delta b_f$ [mm]	Total width $b_t$ [mm]	Joint width required $b_{f \text{ min}}$ [mm]	Width of insert $b_s$ [mm]	Installation height $h$ [mm]	Thickness of alu side plates [mm]	Load bearing capacity* 
FN 20	5 (+3/-2)	97	20	17	12	2	pedestrians

\* Light vehicles on request.

**Production length:** 4 m

**Standard colours:** black, grey

**Wall connections:** E3, E4



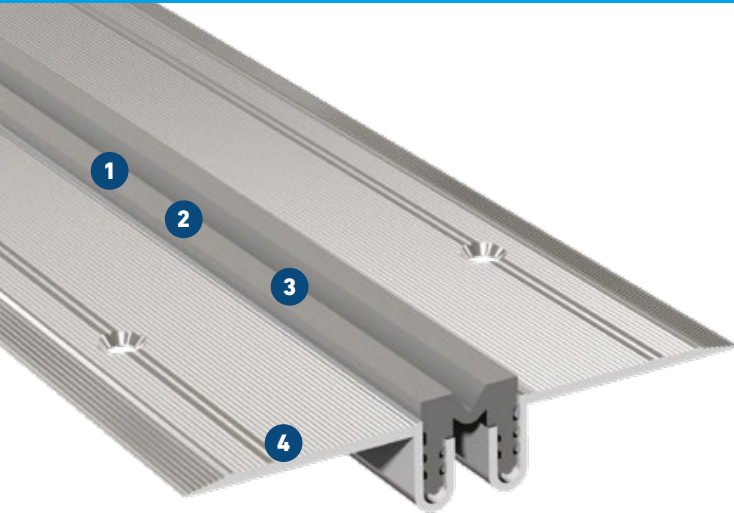


# FKN 20


FOR FLOORS WITH PVC OR LINOLEUM – SURFACE FIXING

# MIGUTEC

JOINT COVERS FOR EXPANSION JOINTS

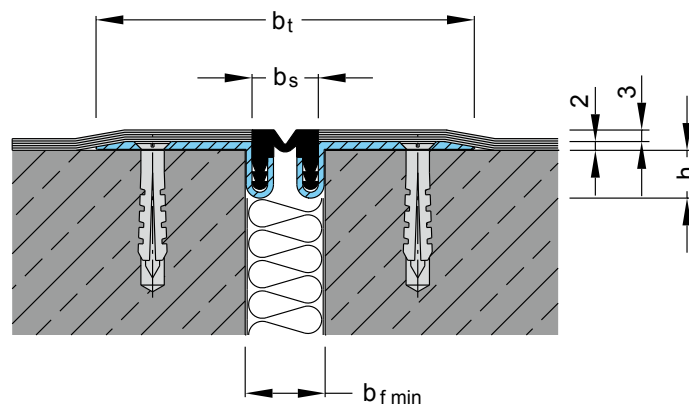


- 1 Perfectly designed insert**  
3 mm high upstand can be welded with PVC floorings
- 2 Flexible high quality elastomeric insert**  
Hard wearing, temperature resistant (-30°C to +120°C)
- 3 Economical**  
Insert replaceable at any time
- 4 Very flat design**  
Perfect for surface fixing

Expansion joint cover	Total movement $\Delta b_f$ [mm]	Total width $b_t$ [mm]	Joint width required $b_{f \text{ min}}$ [mm]	for coverings thickness [mm]	Width of insert $b_s$ [mm]	Installation height $h$ [mm]	Thickness of alu side plates [mm]	Load bearing capacity* 
FKN 20	5 (+3/-2)	97	20	3	17	12	2	pedestrians


\* Light vehicles on request.

**Production length:** 4 m  
**Standard colour:** grey  
**Wall connections:** E3, E4





- 1 Perfectly designed insert**  
5 mm high upstand in conjunction with carpets
- 2 Flexible high quality elastomeric insert**  
Hard wearing, temperature resistant (-30°C to +120°C)
- 3 Economical**  
Insert replaceable at any time
- 4 Very flat design**  
Perfect for surface fixing

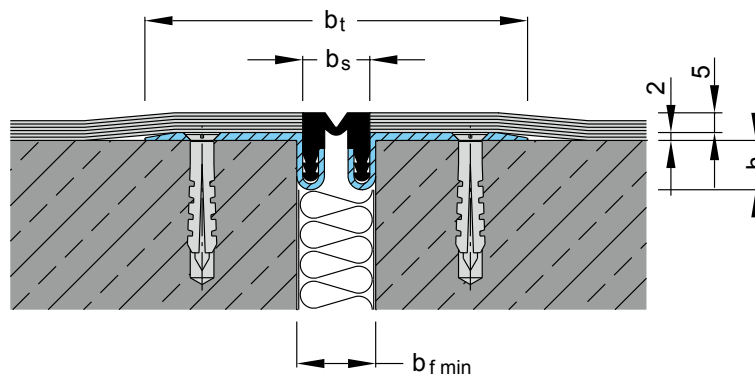
Expansion joint cover	Total movement $\Delta b_f$ [mm]	Total width $b_t$ [mm]	Joint width required $b_f \text{ min}$ [mm]	for coverings thickness [mm]	Width of insert $b_s$ [mm]	Installation height $h$ [mm]	Thickness of alu side plates [mm]	Load bearing capacity* 
FTN 20	5 (+3/-2)	97	20	5	17	12	2	pedestrians

\* Light vehicles on request.

**Production length:** 4 m

**Standard colours:** black, grey

**Wall connections:** E3, E4

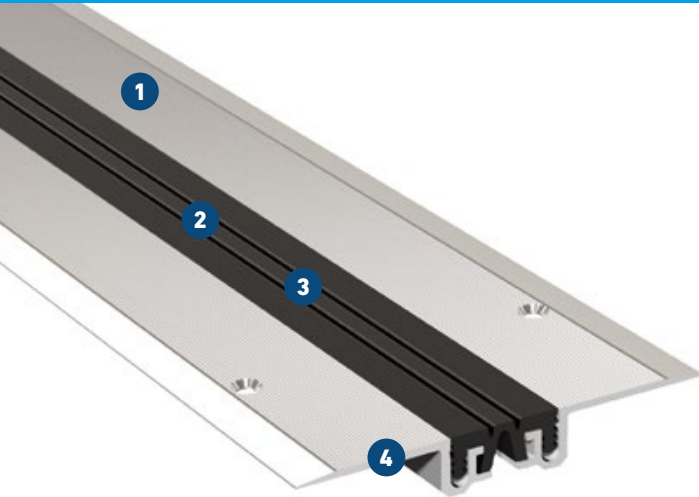


# FN 35


FOR FLOORS – SURFACE FIXING

# MIGUTEC

JOINT COVERS FOR EXPANSION JOINTS



- 1 Anti slip surface ensures good skid resistance**  
Special striated surface, also suitable for sports areas
- 2 Flexible high quality elastomeric insert**  
Hard wearing, temperature resistant (-30°C to +120°C)
- 3 Economical**  
Insert replaceable at any time
- 4 Very flat design**  
Perfect for surface fixing

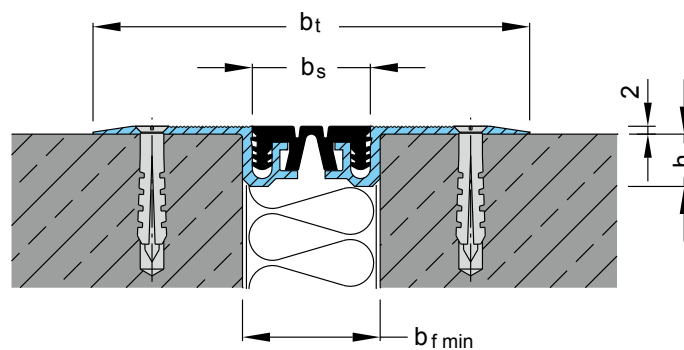
Expansion joint cover	Total movement $\Delta b_f$ [mm]	Total width $b_t$ [mm]	Joint width required $b_{f \text{ min}}$ [mm]	Width of insert $b_s$ [mm]	Installation height $h$ [mm]	Thickness of alu side plates [mm]	Load bearing capacity* 
FN 35	10 (±5)	112	35	30	13	2	pedestrians

\* Light vehicles on request.

**Production length:** 4 m

**Standard colours:** black, grey, beige

**Wall connections:** E3, E4



# FKN 35

FOR FLOORS WITH PVC OR LINOLEUM – SURFACE FIXING

# MIGUTEC

JOINT COVERS FOR EXPANSION JOINTS



- 1 Perfectly designed insert**  
3 mm high upstand can be welded with PVC floorings
- 2 Flexible high quality elastomeric insert**  
Hard wearing, temperature resistant (-30°C to +120°C)
- 3 Economical**  
Insert replaceable at any time
- 4 Very flat design**  
Perfect for surface fixing

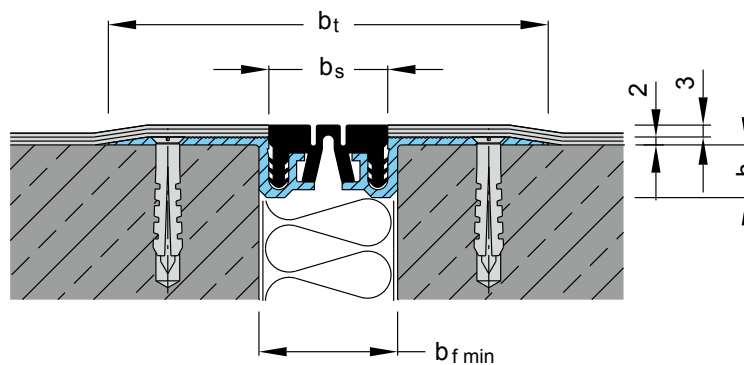
Expansion joint cover	Total movement $\Delta b_f$ [mm]	Visible width $b_t$ [mm]	Total width $b_t$ [mm]	Joint width required $b_{f \text{ min}}$ [mm]	for coverings thickness [mm]	Width of insert $b_s$ [mm]	Installation height $h$ [mm]	Thickness of alu side plates [mm]	Load bearing capacity* 
FKN 35	10 (±5)	30	112	35	3	30	13	2	pedestrians

\* Light vehicles on request.

**Production length:** 4 m

**Standard colours:** black, grey, beige, brown

**Wall connections:** E3, E4





- 1 Perfectly designed insert**  
5 mm high upstand in conjunction with carpets
- 2 Flexible high quality elastomeric insert**  
Hard wearing, temperature resistant (-30°C to +120°C)
- 3 Economical**  
Insert replaceable at any time
- 4 Very flat design**  
Perfect for surface fixing

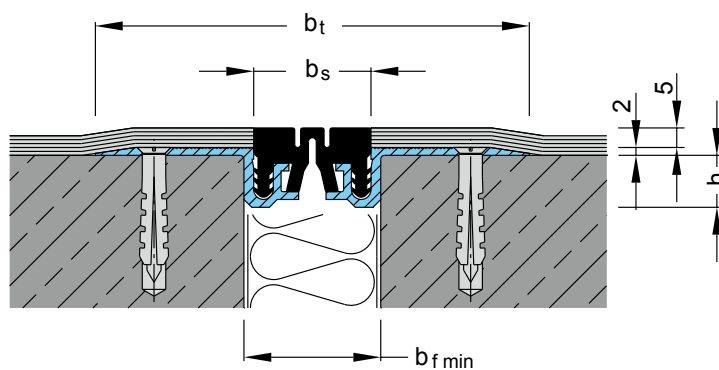
Expansion joint cover	Total movement $\Delta b_f$ [mm]	Visible width $b_t$ [mm]	Total width $b_t$ [mm]	Joint width required $b_{f \text{ min}}$ [mm]	for coverings thickness [mm]	Width of insert $b_s$ [mm]	Installation height $h$ [mm]	Thickness of alu side plates [mm]	Load bearing capacity* 
FTN 35	10 (±5)	30	112	35	5	30	13	2	pedestrians

\* Light vehicles on request.

**Production length:** 4 m

**Standard colours:** black, grey, beige, brown

**Wall connections:** E3, E4



# FN 41

FOR FLOORS – SURFACE FIXING

# MIGUTEC

JOINT COVERS FOR EXPANSION JOINTS



- 1 Anti slip surface ensures good skid resistance**  
Special striated surface, also suitable for sports areas
- 2 Flexible high quality elastomeric insert**  
Hard wearing, temperature resistant (-30°C to +120°C)
- 3 Economical**  
Insert replaceable at any time
- 4 Very flat design**  
Perfect for surface fixing

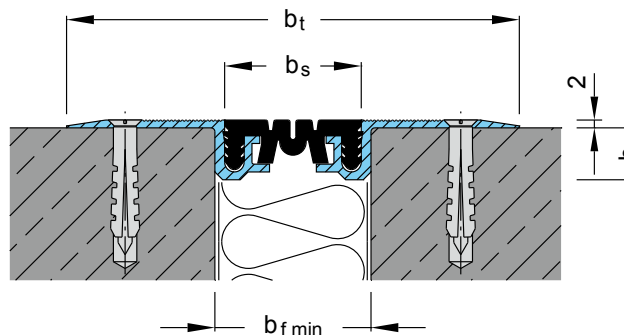
Expansion joint cover	Total movement $\Delta b_f$ [mm]	Total width $b_t$ [mm]	Joint width required $b_{f \text{ min}}$ [mm]	Width of insert $b_s$ [mm]	Installation height $h$ [mm]	Thickness of alu side plates [mm]	Load bearing capacity* 
FN 41	14 ( $\pm 7$ )	118	41	35	13	2	pedestrians

\* Light vehicles on request.

**Production length:** 4 m

**Standard colours:** black, grey, beige

**Wall connections:** E3, E4

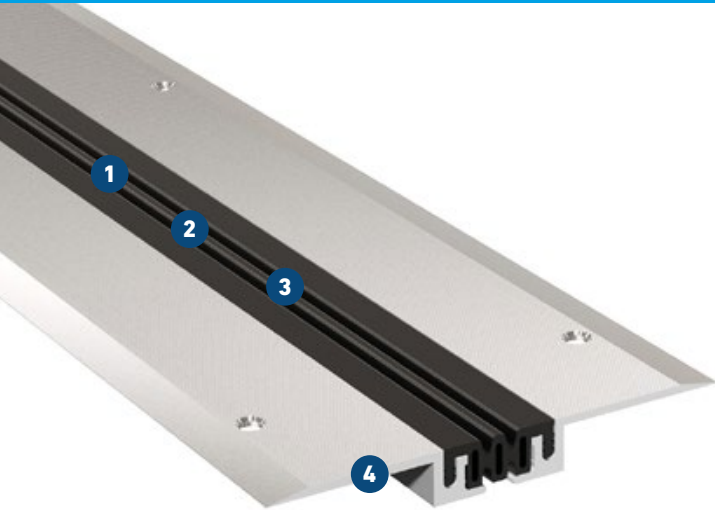


# FN 50


FOR FLOORS – SURFACE FIXING

# MIGUTEC

JOINT COVERS FOR EXPANSION JOINTS



- 1 Anti slip surface ensures good skid resistance**  
Special striated surface, also suitable for sports areas
- 2 Flexible high quality elastomeric insert**  
Hard wearing, temperature resistant (-30°C to +120°C)
- 3 Economical**  
Insert replaceable at any time
- 4 Very flat design**  
Perfect for surface fixing

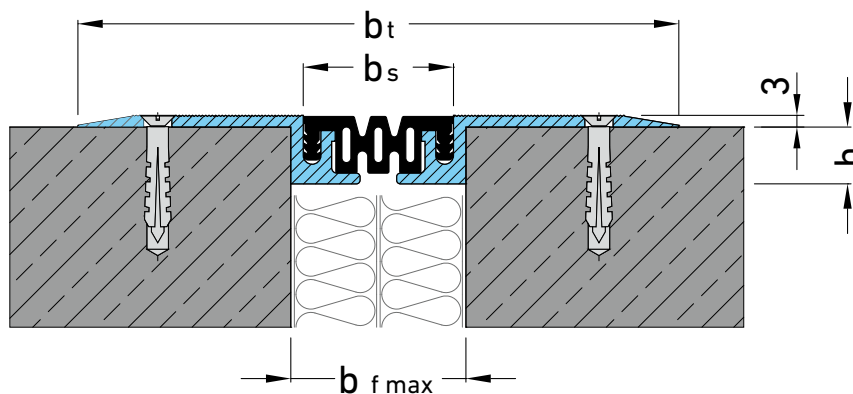
Expansion joint cover	Total movement $\Delta b_f$ [mm]	Total width $b_t$ [mm]	Joint width required $b_f \text{ min}$ [mm]	Width of insert $b_s$ [mm]	Installation height $h$ [mm]	Thickness of alu side plates [mm]	Load bearing capacity* 
FN 50	16 (±8)	170	50	43	16	3	pedestrians

\* Light vehicles on request.

**Production length:** 4 m

**Standard colours:** black, grey, beige

**Wall connections:** E3, E4

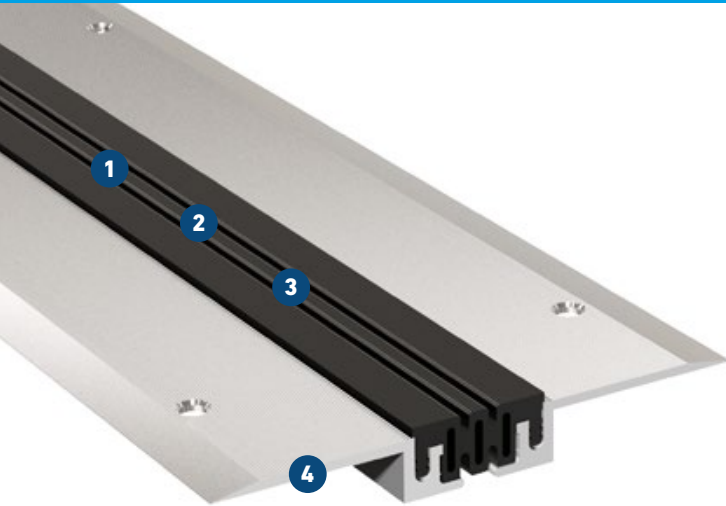


# FKN 50


FOR FLOORS WITH PVC OR LINOLEUM – SURFACE FIXING

# MIGUTEK

JOINT COVERS FOR EXPANSION JOINTS



- 1 Perfectly designed insert**  
3 mm high upstand can be welded with PVC floorings
- 2 Flexible high quality elastomeric insert**  
Hard wearing, temperature resistant (-30°C to +120°C)
- 3 Economical**  
Insert replaceable at any time
- 4 Very flat design**  
Perfect for surface fixing

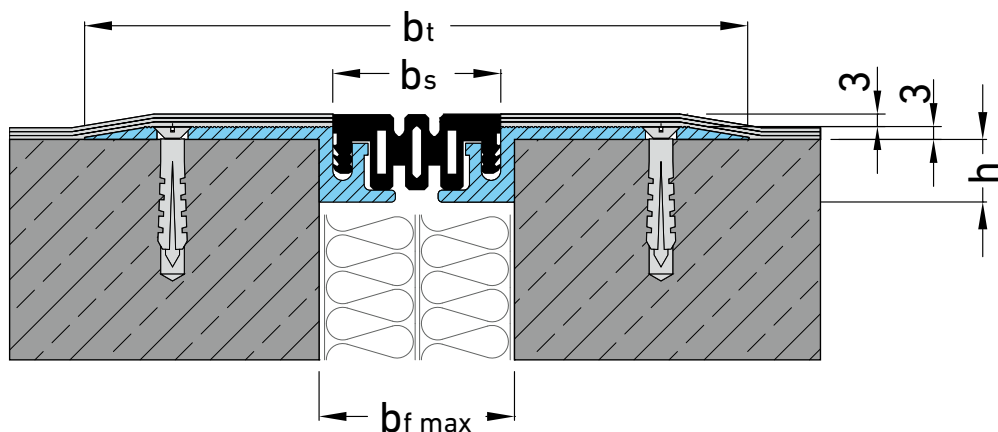
Expansion joint cover	Total movement $\Delta b_f$ [mm]	Total width $b_t$ [mm]	Joint width required $b_f \text{ min}$ [mm]	for coverings thickness [mm]	Width of insert $b_s$ [mm]	Installation height $h$ [mm]	Thickness of alu side plates [mm]	Load bearing capacity* 
FKN 50	16 (±8)	170	50	3	43	16	3	pedestrians

\* Light vehicles on request.

**Production length:** 4 m

**Standard colours:** black, grey

**Wall connections:** E3, E4



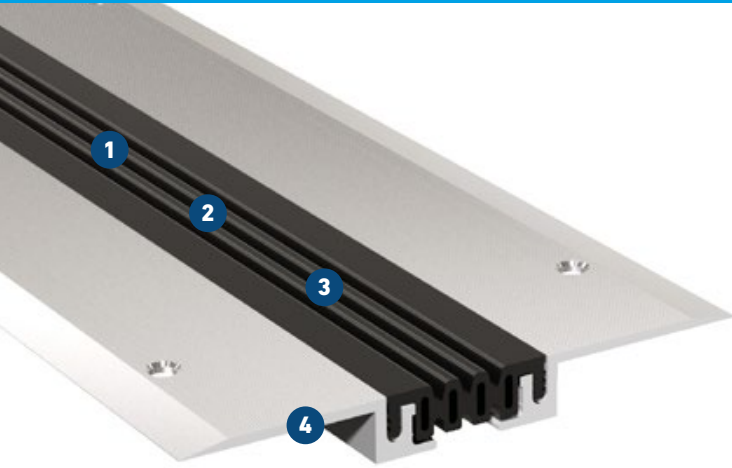


# FN 58


FOR FLOORS – SURFACE FIXING

# MIGUTEC

JOINT COVERS FOR EXPANSION JOINTS



- 1 Anti slip surface ensures good skid resistance**  
Special striated surface, also suitable for sports areas
- 2 Flexible high quality elastomeric insert**  
Hard wearing, temperature resistant (-30°C to +120°C)
- 3 Economical**  
Insert replaceable at any time
- 4 Very flat design**  
Perfect for surface fixing

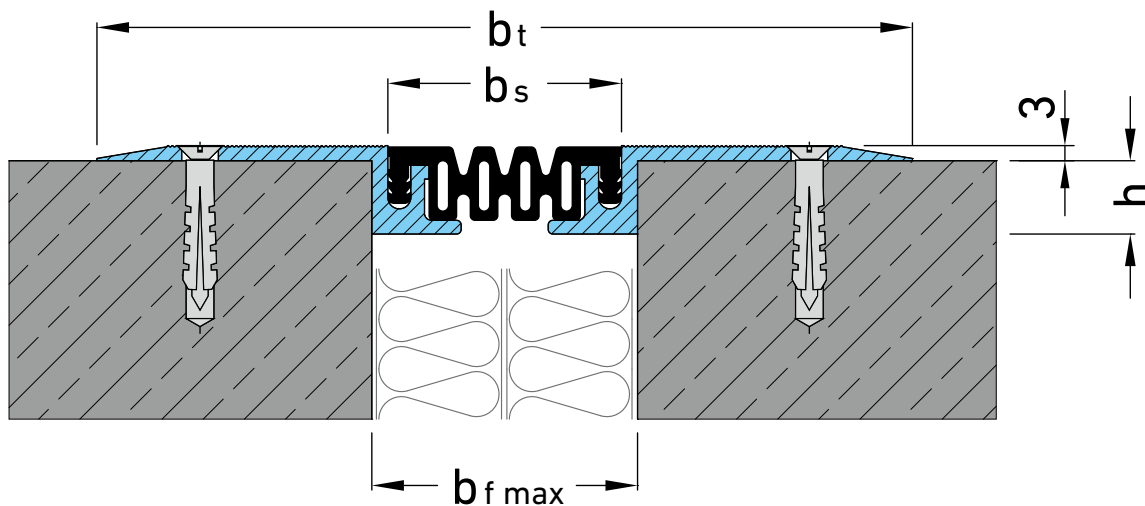
Expansion joint cover	Total movement $\Delta b_f$ [mm]	Total width $b_t$ [mm]	Joint width required $b_f \text{ min}$ [mm]	Width of insert $b_s$ [mm]	Installation height $h$ [mm]	Thickness of alu side plates [mm]	Load bearing capacity* 
FN 58	22 ( $\pm 11$ )	178	60	52	16	3	pedestrians

\* Light vehicles on request.

**Production length:** 4 m

**Standard colours:** black, grey, beige

**Wall connections:** E3, E4

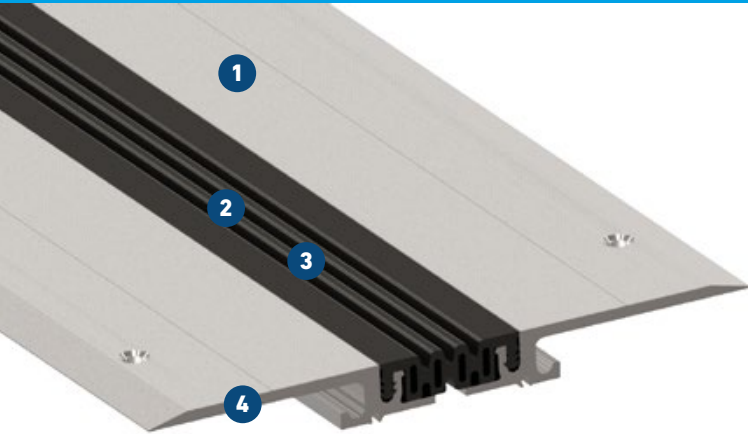


# FN 65 / FN 85

FOR FLOORS – SURFACE FIXING

# MIGUTEC

JOINT COVERS FOR EXPANSION JOINTS



- 1 Anti slip surface ensures good skid resistance**  
Special striated surface, also suitable for sports areas
- 2 Flexible high quality elastomeric insert**  
Hard wearing, temperature resistant (-30°C to +120°C)
- 3 Economical**  
Insert replaceable at any time
- 4 Very flat design**  
Perfect for surface fixing

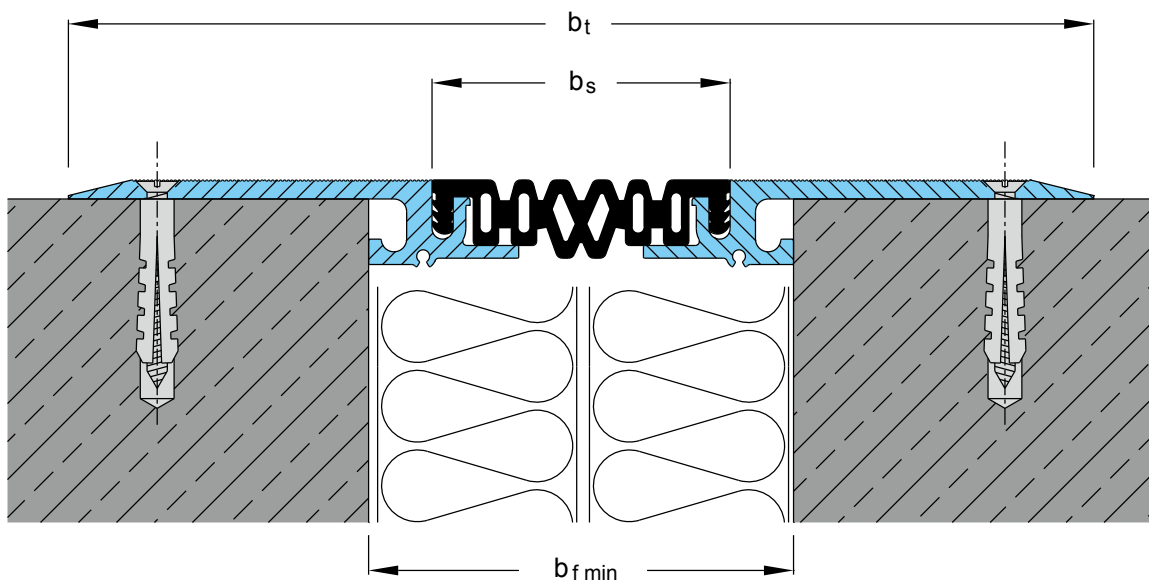
Expansion joint cover	Total movement	Visible width	Total width	Joint width required	Width of insert	Installation height	Thickness of alu side plates	Load bearing capacity*
	$\Delta b_f$ [mm]							
FN 65	22 (±11)		224	80	18	4	52	pedestrians
FN 85	30 (±15)		242	100	18	4	70	pedestrians

\* Light vehicles on request.

**Production length:** 4 m

**Standard colours:** black, grey, beige

**Wall connections:** E3, E4

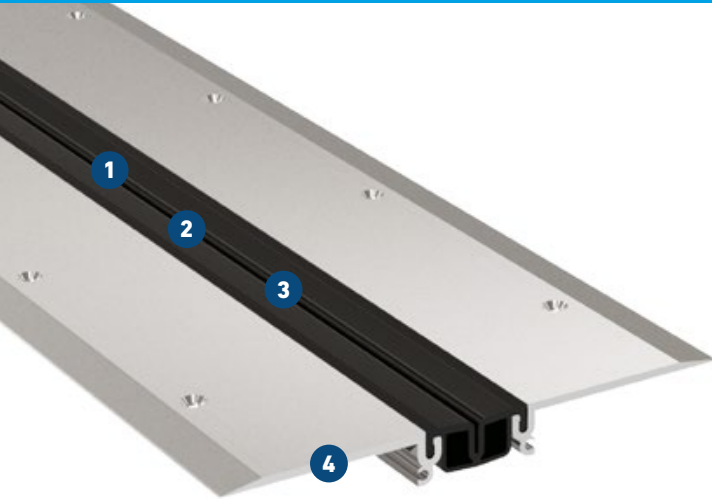


# FN 110


FOR FLOORS – SURFACE FIXING

# MIGUTEC

JOINT COVERS FOR EXPANSION JOINTS

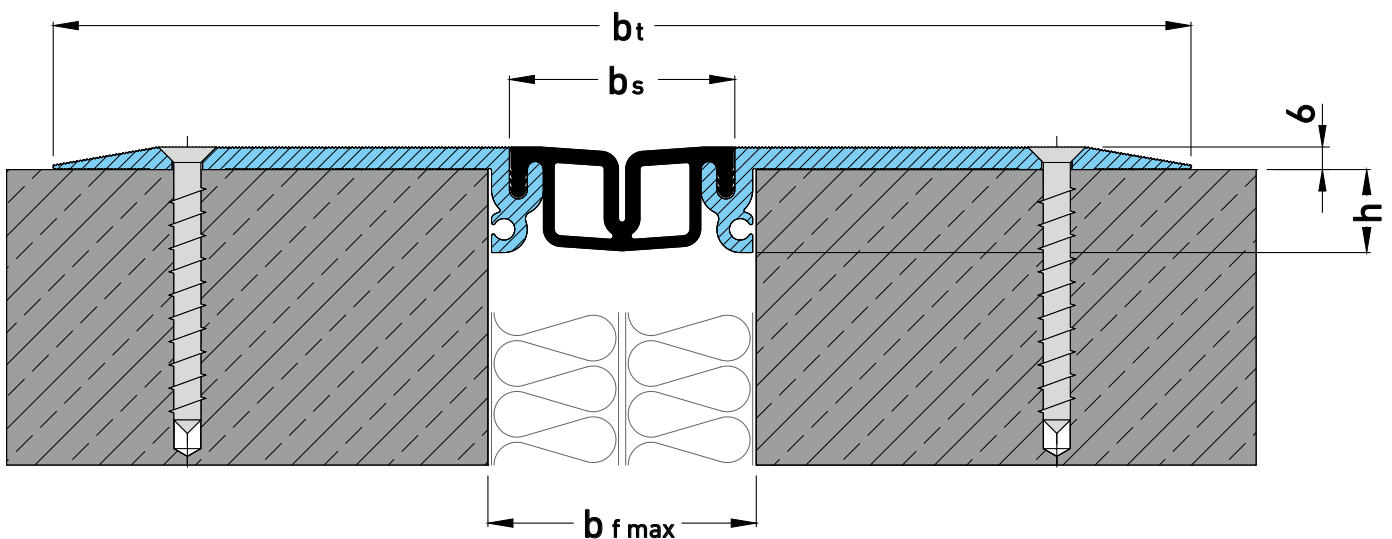


- 1 Anti slip surface ensures good skid resistance**  
Special striated surface, also suitable for sports areas
- 2 Flexible MIGUFLEX insert**  
Hard wearing, temperature resistant (-30°C to +120°C)
- 3 Economical**  
Insert replaceable at any time
- 4 Very flat design**  
Perfect for surface fixing

Expansion joint cover	Total movement $\Delta b_f$ [mm]	Total width $b_t$ [mm]	Joint width required $b_f \text{ min}$ [mm]	Width of insert $b_s$ [mm]	Installation height $h$ [mm]	Thickness of alu side plates [mm]	Load bearing capacity  [kN]
FN 110	60 ( $\pm 30$ )	311	75	64	40	6,3	35

**Installation instructions:** Any unevenness in the surface to which the joint cover is being fixed must be remedied by using an epoxy adhesive e.g. Reckli-Adhesive EP. Thereafter the aluminium brackets must be fixed on both sides with countersunk stainless steel screws e.g. Multi Monti type MMS-7,5 ES or similar, at 200 mm intervals.

**Production length:** 4 m  
**Standard colour:** black  
**Wall connections:** E3, E4



# FNG 20


FOR FLOORS WITH HYGIENIC REQUIREMENTS – SURFACE FIXING

# MIGUTEC

JOINT COVERS FOR EXPANSION JOINTS



- 1 Flexible high quality elastomeric insert**  
Hard wearing, temperature resistant (-30°C to +120°C)
- 2 Economical**  
Insert replaceable at any time
- 3 Anti slip surface ensures good skid resistance**  
Special striated surface, also suitable for sports areas
- 4 Very flat design**  
Perfect for surface fixing

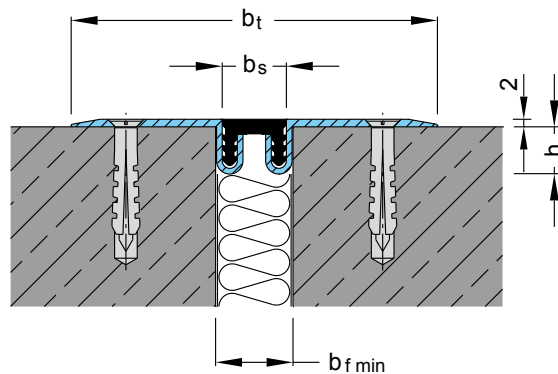
Expansion joint cover	Total movement $\Delta b_f$ [mm]	Total width $b_t$ [mm]	Joint width required $b_f \text{ min}$ [mm]	Width of insert $b_s$ [mm]	Installation height $h$ [mm]	Thickness of alu side plates [mm]	Load bearing capacity* 
FNG 20	2 ( $\pm 1$ )	97	20	17	12	2	pedestrians

\* Light vehicles on request.

**Production length:** 4 m

**Standard colours:** black, grey

**Wall connections:** E3, E4



# FNG 35


FOR FLOORS WITH HYGIENIC REQUIREMENTS – SURFACE FIXING

# MIGUTEC

JOINT COVERS FOR EXPANSION JOINTS



- 1 Flexible high quality elastomeric insert**  
Hard wearing, temperature resistant (-30°C to +120°C)
- 2 Economical**  
Insert replaceable at any time
- 3 Anti slip surface ensures good skid resistance**  
Special striated surface, also suitable for sports areas
- 4 Very flat design**  
Perfect for surface fixing

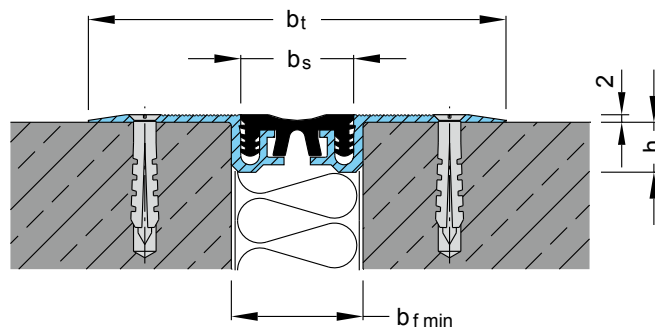
Expansion joint cover	Total movement $\Delta b_f$ [mm]	Total width $b_t$ [mm]	Joint width required $b_{f \text{ min}}$ [mm]	Width of insert $b_s$ [mm]	Installation height $h$ [mm]	Thickness of alu side plates [mm]	Load bearing capacity* 
FNG 35	6 (±3)	112	35	30	13	2	pedestrians

\* Light vehicles on request.

**Production length:** 4 m


**Standard colours:** black, grey, beige, brown

**Wall connections:** E3, E4





- 1 Flexible high quality elastomeric insert**  
Hard wearing, temperature resistant (-30°C to +120°C)
- 2 Anti slip surface ensures good skid resistance**  
Special striated surface, also suitable for sports areas
- 3 Economical**  
Insert replaceable at any time
- 4 Very flat design**  
Perfect for surface fixing

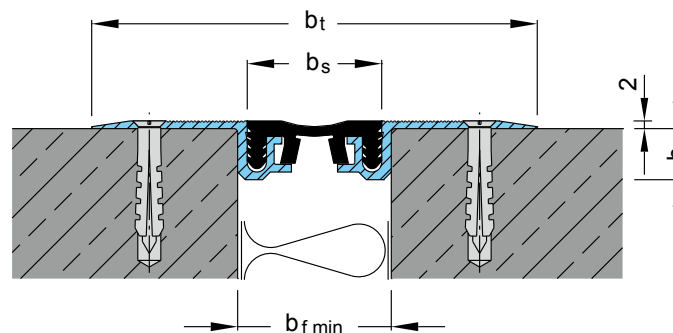
Expansion joint cover	Total movement $\Delta b_f$ [mm]	Total width $b_t$ [mm]	Joint width required $b_f \text{ min}$ [mm]	Width of insert $b_s$ [mm]	Installation height $h$ [mm]	Thickness of alu side plates [mm]	Load bearing capacity* 
FNG 41	6 (±3)	118	41	35	13	2	pedestrians

\* Light vehicles on request.

**Production length:** 4 m

**Standard colours:** black, grey, beige

**Wall connections:** E3, E4



# FNG 50


FOR FLOORS WITH HYGIENIC REQUIREMENTS – SURFACE FIXING

# MIGUTEC

JOINT COVERS FOR EXPANSION JOINTS



- 1 Flexible high quality elastomeric insert**  
Hard wearing, temperature resistant (-30°C to +120°C)
- 2 Anti slip surface ensures good skid resistance**  
Special striated surface, also suitable for sports areas
- 3 Economical**  
Insert replaceable at any time
- 4 Very flat design**  
Perfect for surface fixing

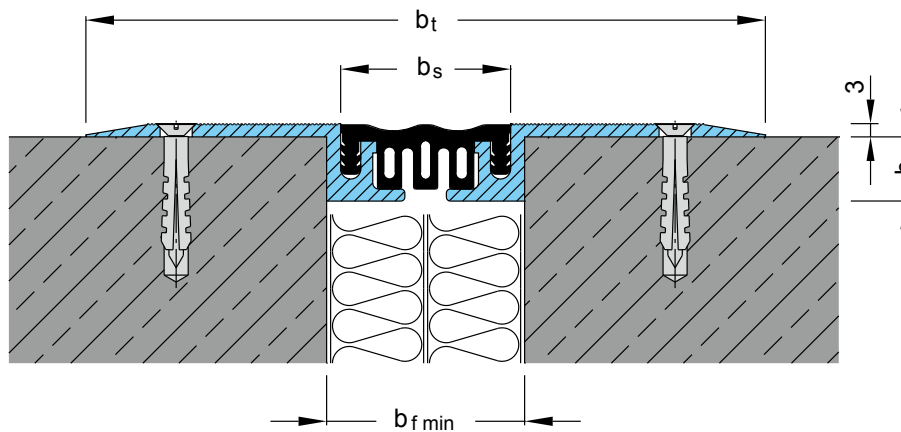
Expansion joint cover	Total movement $\Delta b_f$ [mm]	Total width $b_t$ [mm]	Joint width required $b_{f \text{ min}}$ [mm]	Width of insert $b_s$ [mm]	Installation height $h$ [mm]	Thickness of alu side plates [mm]	Load bearing capacity* 
FNG 50	8 (±4)	170	50	43	16	3	pedestrians

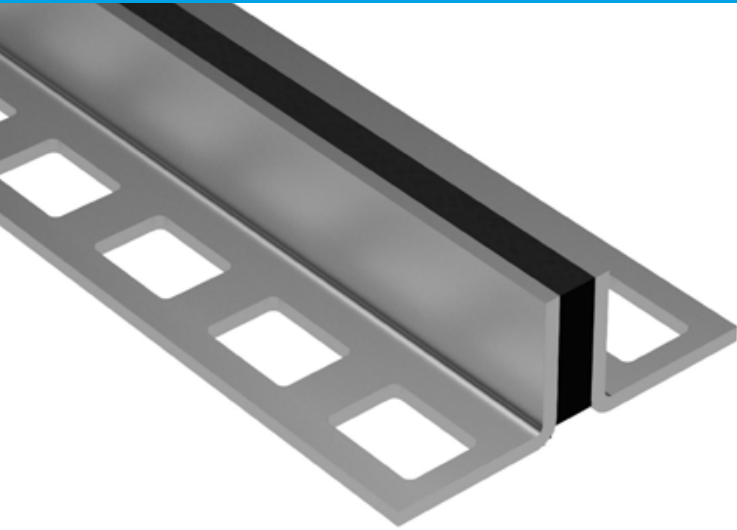
\* Light vehicles on request.

**Production length:** 4 m

**Standard colours:** black, grey, beige

**Wall connections:** E3, E4





### Fit for traffic with pallet trucks or forklift trucks

Under the condition of sufficient load-bearing capacity of the ground

With solid aluminium brackets

EPDM insert covers entire joint height

UV/Ozone consistent

High resistancy against chemicals

Slim visible surface

High pressure and deformation resistancy of the EPDM filler material

Smoothed surface for better connection with adjacent flooring

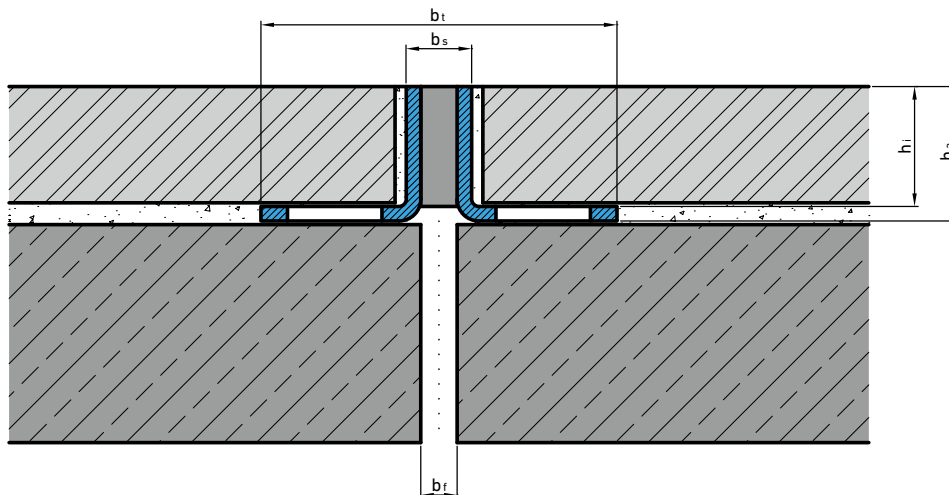
Suitable for subsequent grinding

Reduction of sound impact

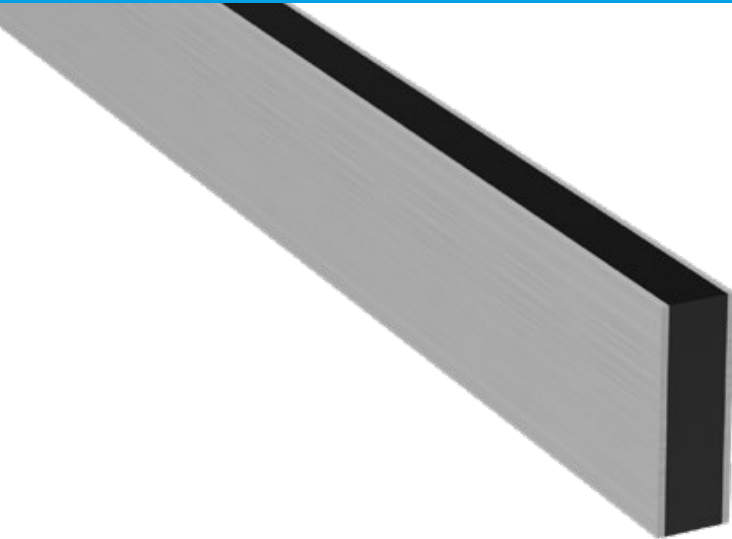
Expansion joint cover	Joint width	Total movement	Visible width	Total width	Joint height total	Clear height	Load bearing capacity  [kN]	Load bearing capacity  [kN]
	$b_f \text{ max}$ [mm]	$\Delta b_f$ [mm]	$b_s$ [mm]	$b_t$ [mm]	$h_a$ [mm]	$h_j$ [mm]		
ESF-L 9/18 AL	5	2 ( $\pm 1$ )	9	49	18,5	16,5	300	35
ESF-L 9/19 AL	5	2 ( $\pm 1$ )	9	49	19	17	300	35
ESF-L 9/20 AL	5	2 ( $\pm 1$ )	9	49	20,5	18,5	300	35
ESF-L 9/22 AL	5	2 ( $\pm 1$ )	9	49	22	20	300	35
ESF-L 9/24 AL	5	2 ( $\pm 1$ )	9	49	24	22	300	35
ESF-L 9/27 AL	5	2 ( $\pm 1$ )	9	49	27	25	300	35
ESF-L 9/32 AL	5	2 ( $\pm 1$ )	9	49	32	30	300	35
ESF-L 9/42 AL	5	2 ( $\pm 1$ )	9	49	42	40	300	35
ESF-L 9/52 AL	5	2 ( $\pm 1$ )	9	49	52	50	300	35

**Production length:** 2.50 m

**EPDM colours:** black, grey, beige







### Fit for traffic with pallet trucks or forklift trucks

Under the condition of sufficient load-bearing capacity of the ground

With solid aluminium brackets

EPDM insert covers entire joint height

UV/Ozone consistent

High resistancy against chemicals

Slim visible surface

High pressure and deformation resistancy of the EPDM filler material

Smoothed surface for better connection with adjacent flooring

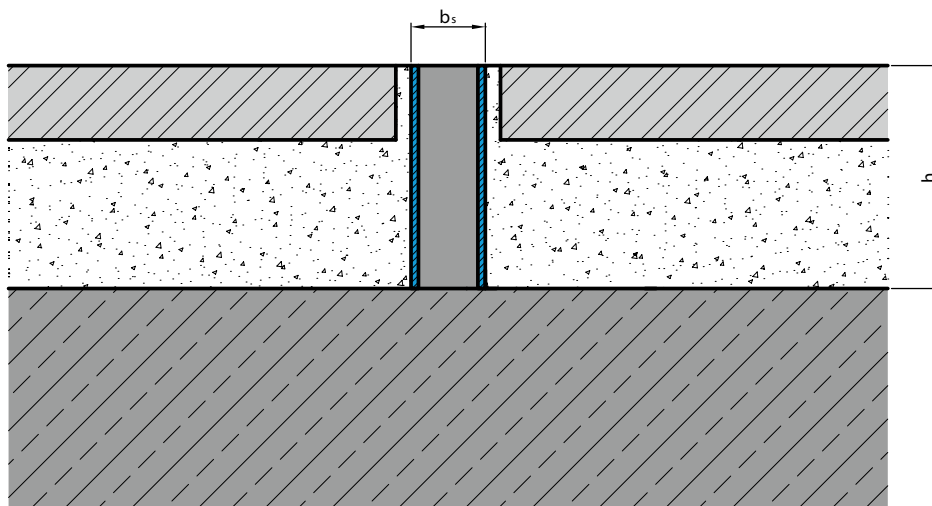
Suitable for subsequent grinding

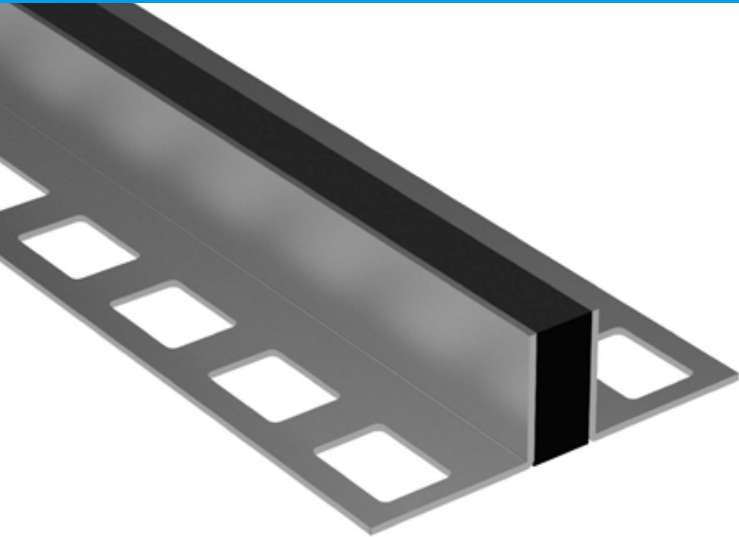
Reduction of sound impact

Expansion joint cover	Total movement	Visible width	Joint height total	Load bearing capacity	Load bearing capacity
	$\Delta b_f$ [mm]	$b_s$ [mm]	$h$ [mm]	 [kN]	 [kN]
ESF-U 10/10 AL	2 ( $\pm 1$ )	10	10	300	35
ESF-U 10/15 AL	2 ( $\pm 1$ )	10	15	300	35
ESF-U 10/20 AL	2 ( $\pm 1$ )	10	20	300	35
ESF-U 10/30 AL	2 ( $\pm 1$ )	10	30	300	35
ESF-U 10/40 AL	2 ( $\pm 1$ )	10	40	300	35
ESF-U 10/50 AL	2 ( $\pm 1$ )	10	50	300	35
ESF-U 10/60 AL	2 ( $\pm 1$ )	10	60	300	35
ESF-U 10/70 AL	2 ( $\pm 1$ )	10	70	300	35
ESF-U 10/80 AL	2 ( $\pm 1$ )	10	80	300	35
ESF-U 10/90 AL	2 ( $\pm 1$ )	10	90	300	35
ESF-U 10/100 AL	2 ( $\pm 1$ )	10	100	300	35

**Production length:** 2.50 m

**EPDM colours:** black, grey, beige





### Fit for traffic with pallet trucks or forklift trucks

Under the condition of sufficient load-bearing capacity of the ground

With solid stainless steel brackets

EPDM insert covers entire joint height

UV/Ozone consistent

High resistancy against chemicals



Slim visible surface

High pressure and deformation resistancy of the EPDM filler material

Smoothed surface for better connection with adjacent flooring

Suitable for subsequent grinding

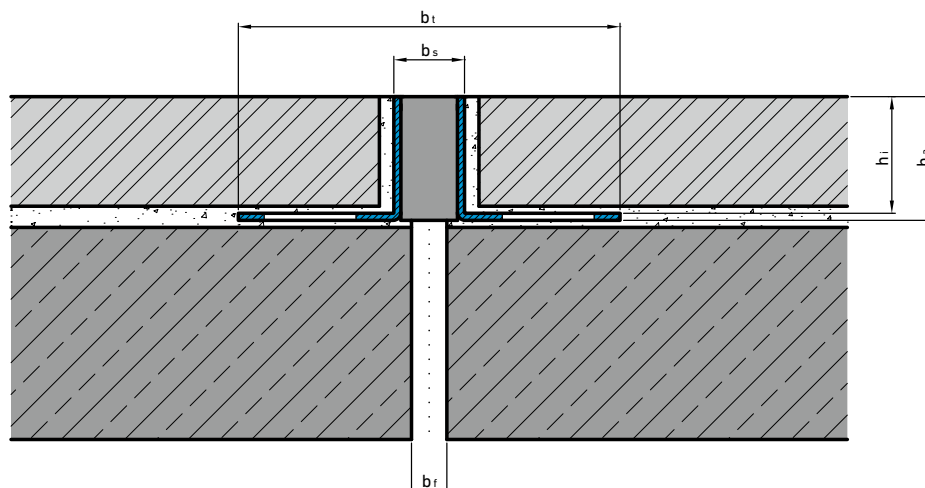
Reduction of sound impact

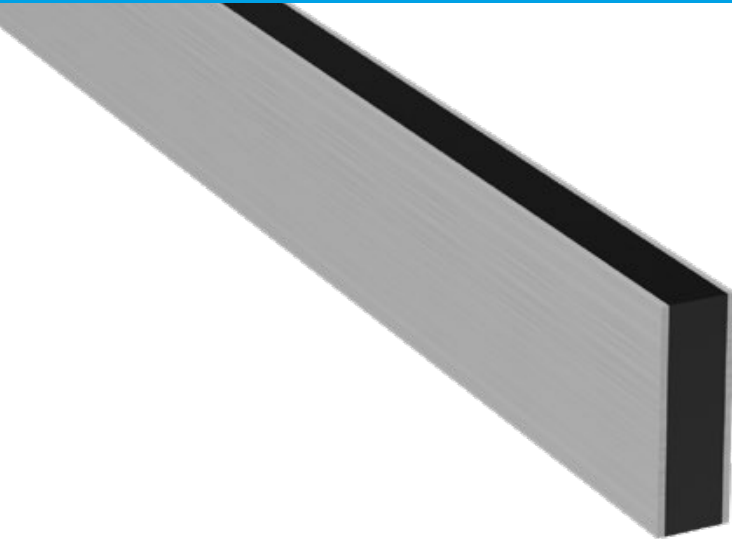
Expansion joint cover	Joint width	Total movement	Visible width	Total width	Joint height total	Clear height	Load bearing capacity  [kN]	Load bearing capacity  [kN]
	$b_f \text{ max}$ [mm]	$\Delta b_f$ [mm]	$b_s$ [mm]	$b_t$ [mm]	$h_a$ [mm]	$h_j$ [mm]		
ESF-L 10/17 ES	8	2 ( $\pm 1$ )	10	52	17,5	16,5	300	35
ESF-L 10/18 ES	8	2 ( $\pm 1$ )	10	52	18	17	300	35
ESF-L 10/19 ES	8	2 ( $\pm 1$ )	10	52	19,5	18,5	300	35
ESF-L 10/21 ES	8	2 ( $\pm 1$ )	10	52	21	20	300	35
ESF-L 10/23 ES	8	2 ( $\pm 1$ )	10	52	23	22	300	35
ESF-L 10/26 ES	8	2 ( $\pm 1$ )	10	52	26	25	300	35
ESF-L 10/31 ES	8	2 ( $\pm 1$ )	10	52	31	30	300	35
ESF-L 10/41 ES	8	2 ( $\pm 1$ )	10	52	41	40	300	35
ESF-L 10/51 ES	8	2 ( $\pm 1$ )	10	52	51	50	300	35

**Production length:** 2.50 m

**Material:** 1.4301 (alloy 304)

**EPDM colours:** black, grey, beige





### Fit for traffic with pallet trucks or forklift trucks

Under the condition of sufficient load-bearing capacity of the ground

With solid stainless steel brackets

EPDM insert covers entire joint height

UV/Ozone consistent

High resistancy against chemicals



Slim visible surface

High pressure and deformation resistancy of the EPDM filler material

Smoothed surface for better connection with adjacent flooring

Suitable for subsequent grinding

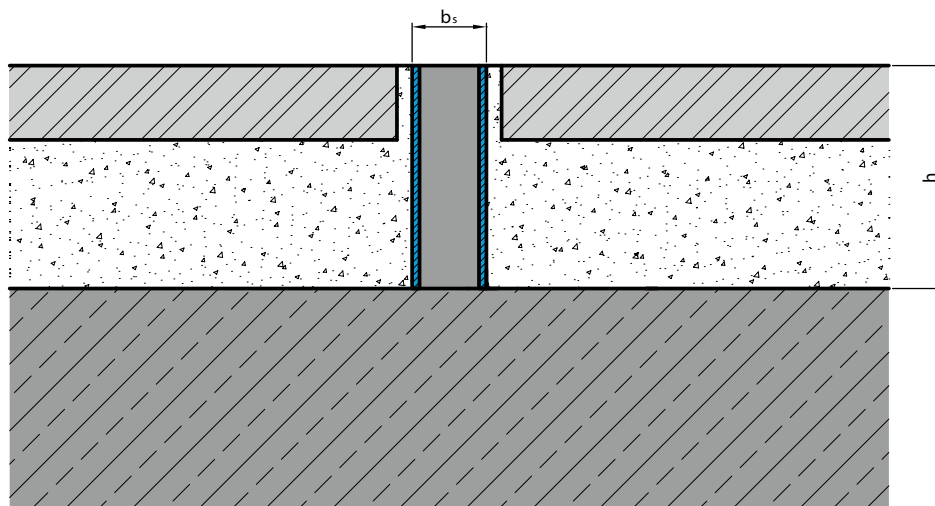
Reduction of impact noise

Expansion joint cover	Total movement	Visible width	Joint height total	Load bearing capacity	Load bearing capacity
	$\Delta b_f$ [mm]	$b_s$ [mm]	$h$ [mm]	 [kN]	 [kN]
ESF-U 10/20 ES	2 ( $\pm 1$ )	10	20	300	35
ESF-U 10/30 ES	2 ( $\pm 1$ )	10	30	300	35
ESF-U 10/40 ES	2 ( $\pm 1$ )	10	40	300	35
ESF-U 10/50 ES	2 ( $\pm 1$ )	10	50	300	35
ESF-U 10/60 ES	2 ( $\pm 1$ )	10	60	300	35
ESF-U 10/70 ES	2 ( $\pm 1$ )	10	70	300	35
ESF-U 10/80 ES	2 ( $\pm 1$ )	10	80	300	35
ESF-U 10/90 ES	2 ( $\pm 1$ )	10	90	300	35
ESF-U 10/100 ES	2 ( $\pm 1$ )	10	100	300	35

**Production length:** 2.50 m

**Material:** 1.4301 (alloy 304)

**EPDM colours:** black, grey, beige

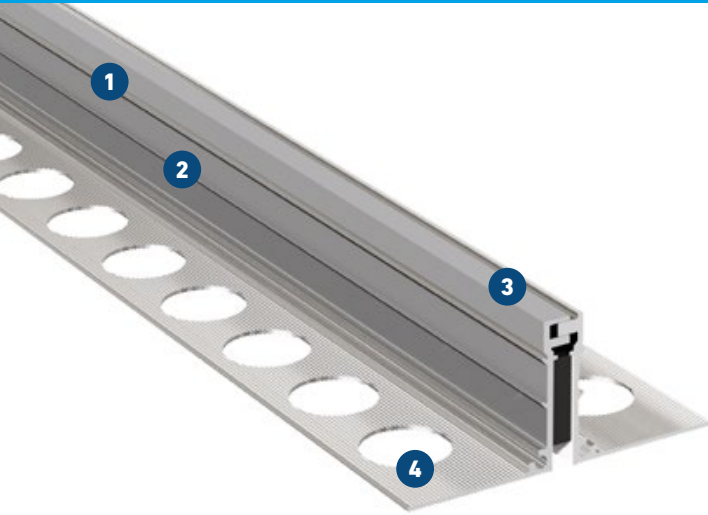


# ESF 10 AL

FOR CONTRACTION JOINTS IN FLOORS WITH HIGH LOAD CAPACITY

# MIGUTEC

JOINT COVERS FOR EXPANSION JOINTS



- 1 Solid all-metal expansion joint cover**  
Hard wearing, maintenance free, long lasting
- 2 High load capacity**  
Solid aluminium brackets, suitable for hard plastic tyres
- 3 Small visible surface**  
Slim design, visible width of cover 10 mm only
- 4 MultiHole mounting bracket**  
for secure fixing

### Now available Anodized!

This expansion joint cover is on offer in anodized colours as of now. Available as standard in the four colours shown below, we will be pleased to offer you further colours upon request

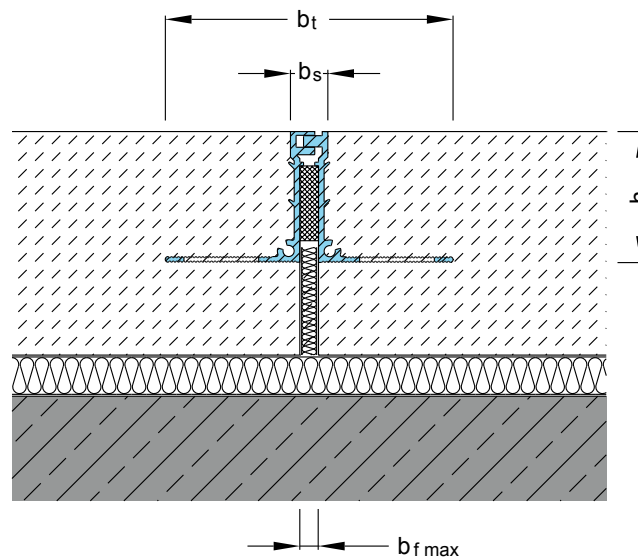
Expansion joint cover	Joint width	Total movement	Visible width	Total width	Joint height total	Load bearing capacity	Load bearing capacity	Load bearing capacity
	$b_f \text{ max}$ [mm]	$\Delta b_f$ [mm]	$b_s$ [mm]	$b_t$ [mm]	$h$ [mm]	[kN]	[kN]	solid plastic tyres [kg/mm]
ESF 10/12 AL	10	4 ( $\pm 2$ )	10	77	12	600	130	6,5
ESF 10/15 AL	10	4 ( $\pm 2$ )	10	77	15	600	130	6,5
ESF 10/17 AL	10	4 ( $\pm 2$ )	10	77	17	600	130	6,5
ESF 10/25 AL *	10	4 ( $\pm 2$ )	10	77	25	600	130	6,5
ESF 10/35 AL *	10	4 ( $\pm 2$ )	10	77	35	600	130	6,5
ESF 10/40 AL *	10	4 ( $\pm 2$ )	10	77	40	600	130	6,5
ESF 10/50 AL *	10	4 ( $\pm 2$ )	10	77	50	600	130	6,5
ESF 10/60 AL *	10	4 ( $\pm 2$ )	10	77	60	600	130	6,5

\* Joint cover with possibility of equal-height and equal-sided connection

All information on load bearing capacity does only apply to non-floating floors.

Further installation heights on request.

**Production length:** 4 m

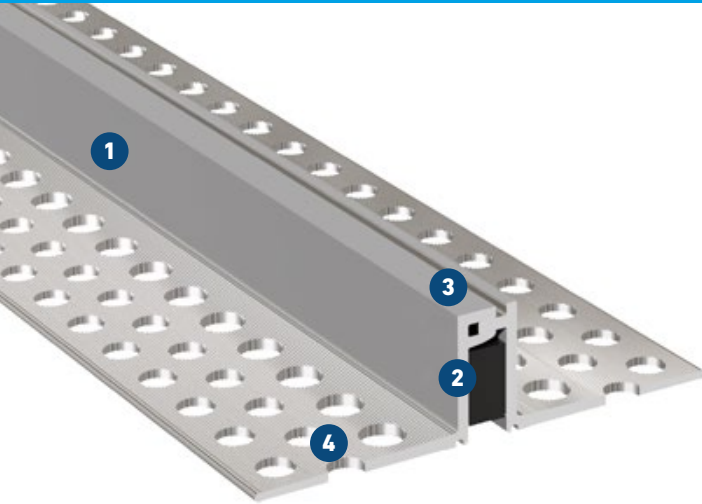


# ESF 16 AL

FOR CONTRACTION JOINTS IN FLOORS WITH HIGH LOAD CAPACITY

# MIGUTEC

JOINT COVERS FOR EXPANSION JOINTS

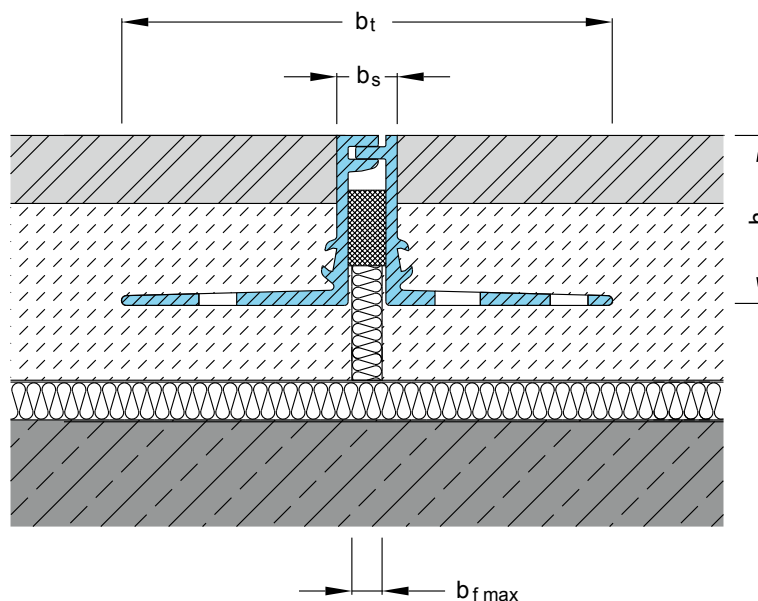


- 1 Solid all-metal expansion joint cover**  
Hard wearing, maintenance free, long lasting
- 2 Small visible surface**  
Slim design, visible width of cover 10 mm only
- 3 High load capacity**  
Solid aluminium brackets, suitable for hard plastic tyres
- 4 MultiHole mounting bracket**  
for secure fixing

Expansion joint cover	Joint width $b_f \text{ max}$ [mm]	Total movement $\Delta b_f$ [mm]	Visible width $b_s$ [mm]	Total width $b_t$ [mm]	Joint height total $h$ [mm]	Load bearing capacity  [kN]	Load bearing capacity  [kN]	Load bearing capacity  solid plastic tyres [kg/mm]
ESF 16/35 AL	10	6 ( $\pm 3$ )	17	130	35	600	130	8
ESF 16/45 AL	10	6 ( $\pm 3$ )	17	130	45	600	130	8
ESF 16/60 AL	10	6 ( $\pm 3$ )	17	130	60	600	130	8

All information on load bearing capacity does only apply to non-floating floors.  
Larger installation heights on request.

**Production length:** 4 m

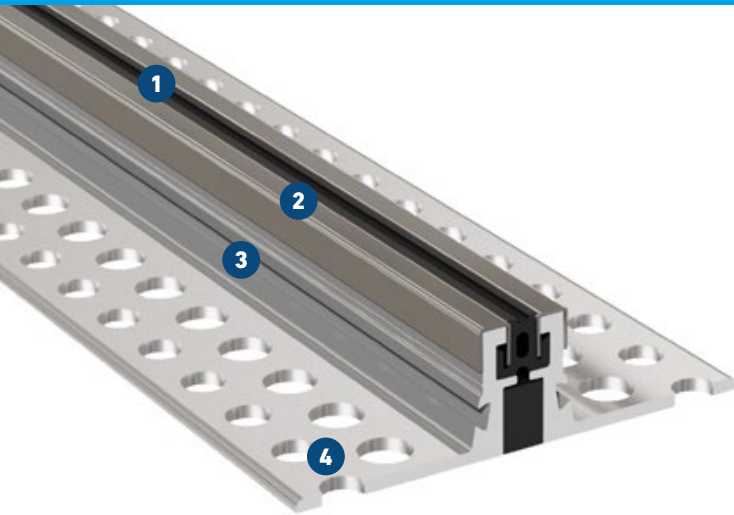


# ESF 22 NI




WITH CAPPINGS MADE OF STAINLESS STEEL; FOR CONTRACTION JOINTS IN FLOORS WITH HIGH LOAD CAPACITY

# MIGUTEC

JOINT COVERS FOR EXPANSION JOINTS



- 1 Flexible high quality elastomeric insert**  
Hard wearing, temperature resistant (-30°C bis +120°C)
- 2 Visible surface stainless steel**
- 3 High load capacity**  
Solid aluminium brackets, suitable for hard plastic tyres
- 4 MultiHole mounting brackets**  
for secure fixing

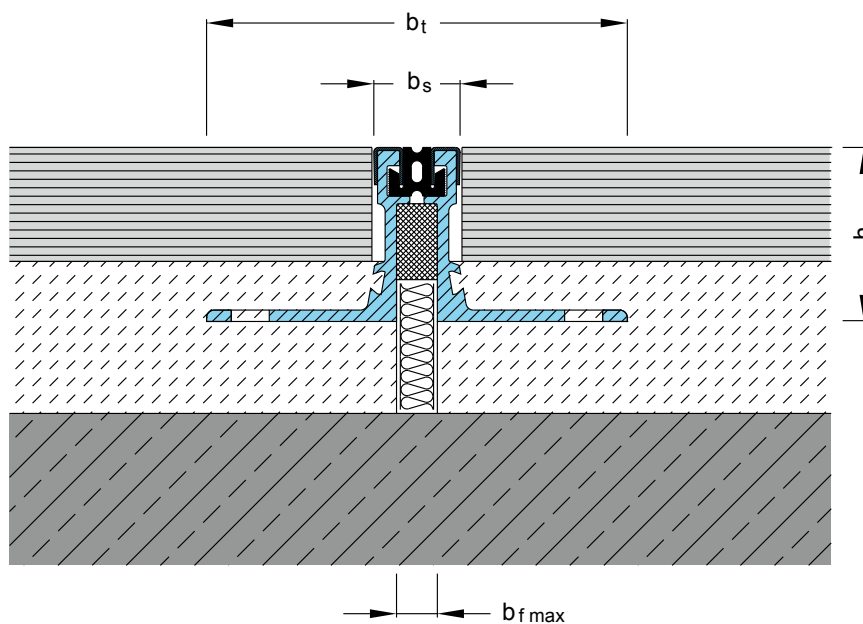
Expansion joint cover	Joint width	Total movement	Visible width	Total width	Joint height total	Load bearing capacity	Load bearing capacity	Load bearing capacity
	$b_f \text{ max}$ [mm]	$\Delta b_f$ [mm]	$b_s$ [mm]	$b_t$ [mm]	$h$ [mm]	[kN] 	[kN] 	solid plastic tyres [kg/mm] 
ESF 22/18 NI	12	4 (±2)	22	110	18	600	130	11
ESF 22/30 NI	12	4 (±2)	22	110	30	600	130	11
ESF 22/45 NI	12	4 (±2)	22	110	45	600	130	11
ESF 22/60 NI	12	4 (±2)	22	110	60	600	130	11

All information on load bearing capacity does only apply to non-floating floors.

**Production length:** 4 m

**Material visible cover:** 1.4301

**Standard colours:** black, grey

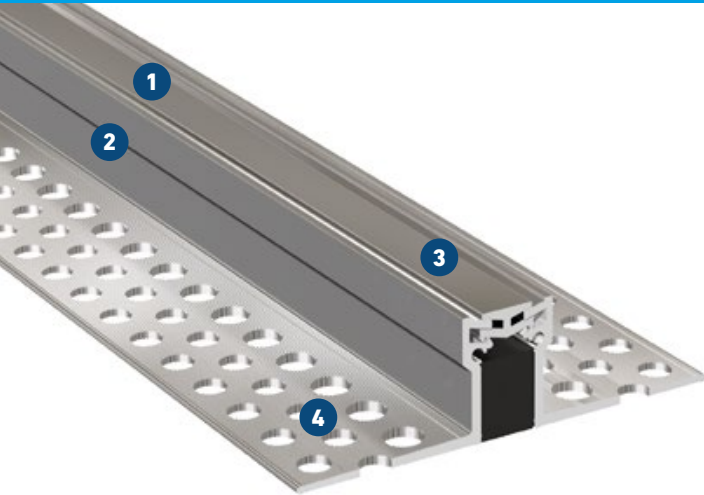


# ESF 27 AL

FOR CONTRACTION JOINTS IN FLOORS WITH HIGH LOAD CAPACITY

# MIGUTEC

JOINT COVERS FOR EXPANSION JOINTS

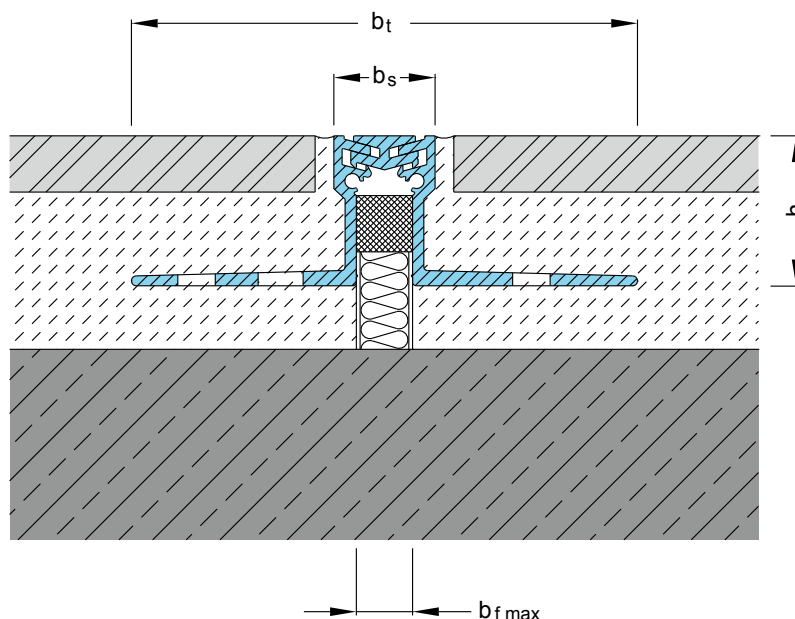


- 1 Small visible surface**  
Slim design, visible width of cover 27 mm only
- 2 Solid all-metal expansion joint cover**  
Hard wearing, maintenance free, long lasting
- 3 High load capacity**  
Solid aluminium brackets, suitable for hard plastic tyres
- 4 MultiHole mounting bracket**  
for secure fixing

Expansion joint cover	Joint width $b_{f \max}$ [mm]	Total movement $\Delta b_f$ [mm]	Visible width $b_s$ [mm]	Total width $b_t$ [mm]	Joint height total $h$ [mm]	Load bearing capacity  [kN]	Load bearing capacity  [kN]	Load bearing capacity  solid plastic tyres [kg/mm]
ESF 27/25 AL	15	10 ( $\pm 5$ )	27	135	25	600	130	8
ESF 27/30 AL	15	10 ( $\pm 5$ )	27	135	31	600	130	8
ESF 27/35 AL	15	10 ( $\pm 5$ )	27	135	36	600	130	8
ESF 27/40 AL	15	10 ( $\pm 5$ )	27	135	40	600	130	8
ESF 27/55 AL	15	10 ( $\pm 5$ )	27	135	55	600	130	8

All information on load bearing capacity does only apply to non-floating floors.  
Larger installation heights on request.

**Production length:** 4 m

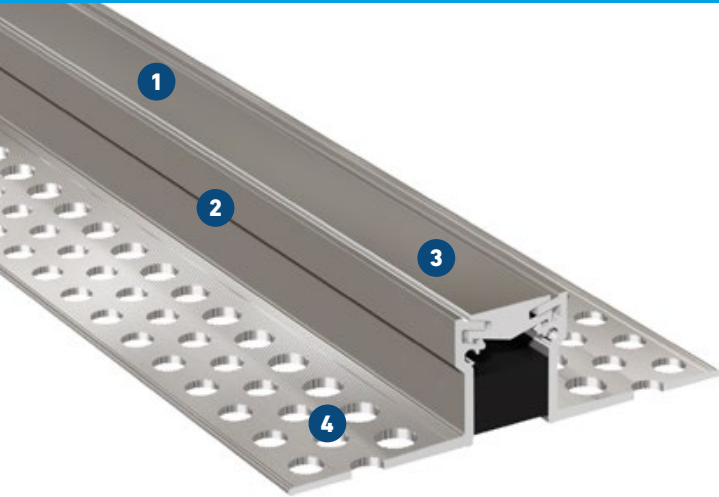


# ESF 37 AL

FOR CONTRACTION JOINTS IN FLOORS WITH HIGH LOAD CAPACITY

# MIGUTEC

JOINT COVERS FOR EXPANSION JOINTS

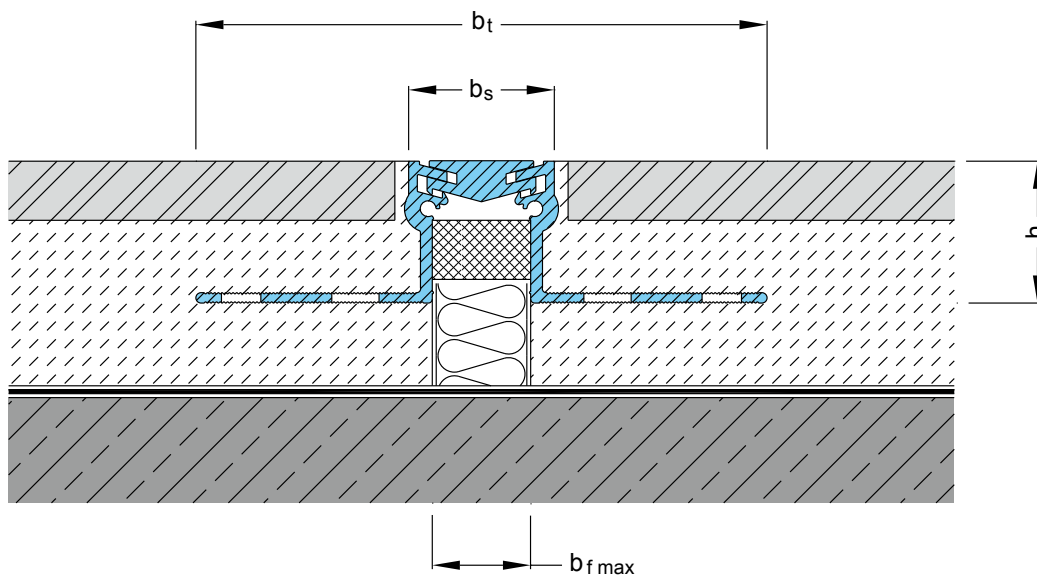


- 1 For big contraction joints**  
with relative large movement capacity
- 2 Solid all-metal expansion joint cover**  
Hard wearing, maintenance free, long lasting
- 3 High load capacity**  
Solid aluminium brackets, suitable for hard plastic tyres
- 4 MultiHole mounting bracket**  
for secure fixing

Expansion joint cover	Joint width	Total movement	Visible width	Total width	Joint height total	Load bearing capacity	Load bearing capacity	Load bearing capacity
	$b_f \text{ max}$ [mm]	$\Delta b_f$ [mm]	$b_s$ [mm]	$b_t$ [mm]	$h$ [mm]	[kN]	[kN]	solid plastic tyres [kg/mm]
ESF 37/25 AL	25	10 (±5)	37	145	25	600	130	8
ESF 37/30 AL	25	10 (±5)	37	145	31	600	130	8
ESF 37/35 AL	25	10 (±5)	37	145	36	600	130	8
ESF 37/40 AL	25	10 (±5)	37	145	40	600	130	8
ESF 37/55 AL	25	10 (±5)	37	145	55	600	130	8

All information on load bearing capacity does only apply to non-floating floors.  
Larger installation heights on request.

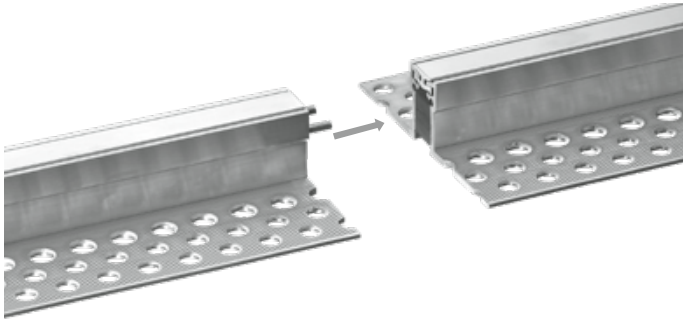
**Production length:** 4 m



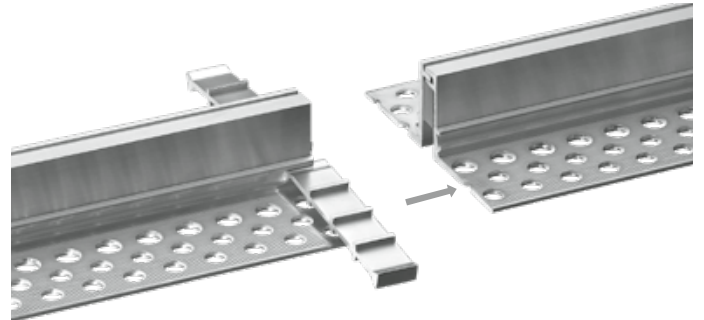


## JOINT CONNECTIONS EXPANSION JOINT COVERS

The matching height and side connection of joint cover lengths is carried out by way of connecting pins that slide into place (series ESF 10, ESF 27 and ESF 37) or by way of sliding of securing anchors to the joint cover buffet (series ESF 16).



**Connecting pins that slide into place,  
example ESF 27/40 AL**



**Sliding of securing anchors,  
example ESF 16/45 AL**

## INSTALLATION NOTE EXPANSION JOINT COVERS

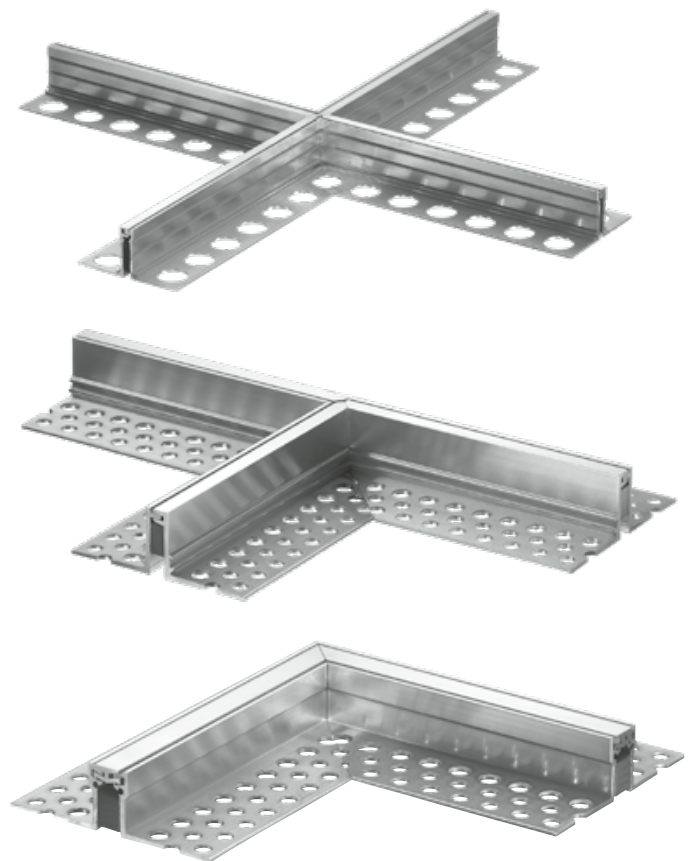
Expansion joint covers Between the cut-outs of the two aluminium angle joint covers, a joint filler is installed which is not included in the scope of delivery.

Series ESF 8, ESF 9 and ESF 10 : 5 mm,  
series ESF 22 NI : 12 mm,  
series ESF 16 : 10 mm,  
series ESF 27 : 15 mm,  
series ESF 37 : 25 mm.

The height of the joint filler depends on the required overall height. The separation must be made down to the raw concrete.

Before installing the expansion joint covers, make sure that the brackets are clean and free of grease. The slotted brackets of the joint cover are pushed into the first freshly applied mortar or screed layer and the joint cover is levelled to the correct height.

Then mortar or screed are used to complete the final surface.



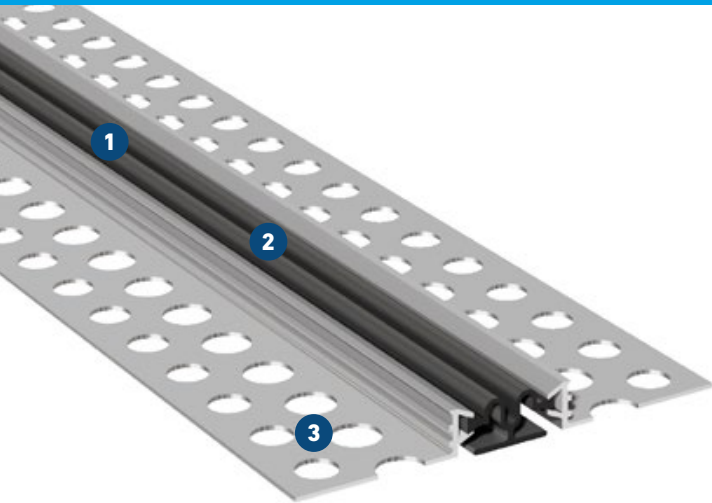
Further intersection variations are available on request

# D 12 / DE 12

FOR WALLS AND CEILINGS WITH PLASTER AND TILES

# MIGUTEC

JOINT COVERS FOR EXPANSION JOINTS



- 1 Flexible high quality elastomeric insert**  
Hard wearing, temperature resistant (-30°C to +120°C), replaceable
- 2 Large movement capacity**  
Special flexible folded insert (up to 50 m length)
- 3 MultiHole mounting bracket**  
for secure fixing

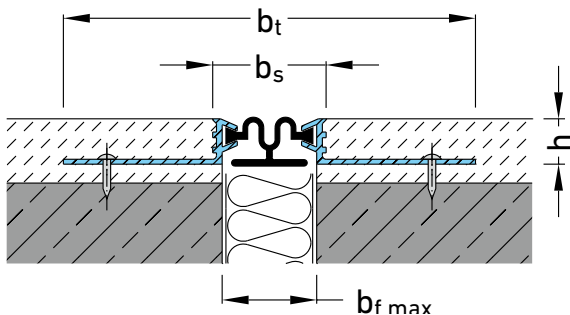
Standard version	Joint width $b_f \text{ max}$ [mm]	Total movement $\Delta b_f$ [mm]	Visible width $b_s$ [mm]	Total width $b_t$ [mm]	Joint height $h$ [mm]
D 12/3	30	10 ( $\pm 5$ )	32	110	12
D 12/5	75	40 ( $\pm 20$ )	75	155	12
D 12/7	100	50 ( $\pm 25$ )	100	180	12
D 12/9	150	100 ( $\pm 50$ )	150	230	12
D 12/13	200	120 ( $\pm 60$ )	200	280	12
D 12/14	250	180 ( $\pm 90$ )	250	330	12
D 12/18	350	200 ( $\pm 100$ )	350	430	12

Corner version	Joint width $b_f \text{ max}$ [mm]	Total movement $\Delta b_f$ [mm]	Visible width $b_s$ [mm]	Total width $b_t$ [mm]	Joint height $h$ [mm]
DE 12/4	30	10 ( $\pm 5$ )	22	73	12
DE 12/6	75	40 ( $\pm 20$ )	55	113	12
DE 12/8	100	50 ( $\pm 25$ )	80	138	12
DE 12/11	150	100 ( $\pm 50$ )	125	188	12
DE 12/15	200	120 ( $\pm 60$ )	190	238	12
DE 12/16	250	180 ( $\pm 90$ )	220	288	12
DE 12/22	350	200 ( $\pm 100$ )	390	388	12

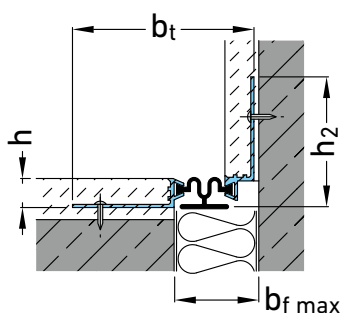
**Production length:** 4 m

**Max. delivery length of the inlay:** 50 m

**Standard colours:** grey. D 12/3 and DE 12/4 also available beige.



**Corner version:**



Insert for joints D 12/3 and DE 12/4



Insert for joints D 12/5 and DE 12/6



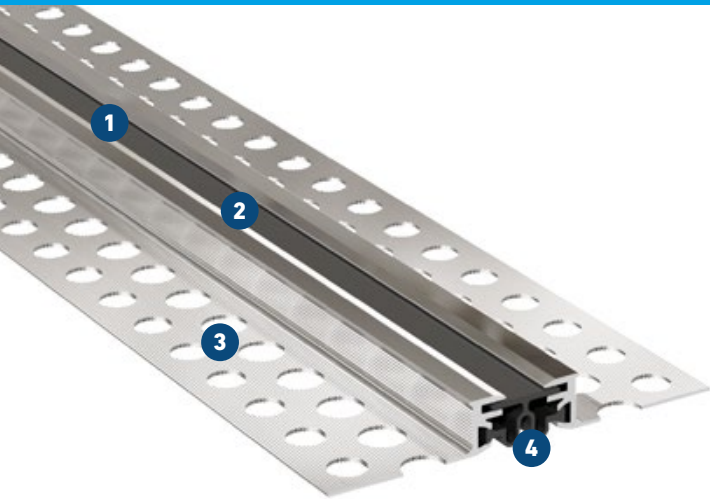
Insert for joints D 12/7 and DE 12/8



Insert for joints D 12/9 and DE 12/11



Insert for joints D 12/13 and DE 12/15



- 1 High quality elastomeric insert for in- and outdoors**  
Hard wearing, temperature resistant (-30°C to +120°C), replaceable
- 2 Large movement capacity**  
Special flexible folded insert (up to 50 m length)
- 3 MultiHole mounting bracket**  
for secure fixing
- 4 Double protection against water**  
Due to double sliding of the sealing insert within metal joint covers

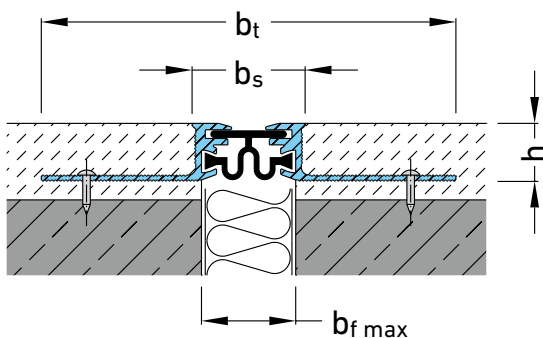
Standard version	Joint width $b_f \text{ max}$ [mm]	Total movement $\Delta b_f$ [mm]	Visible width $b_s$ [mm]	Total width $b_t$ [mm]	Joint height $h$ [mm]
D 15/3	30	10 ( $\pm 5$ )	32	110	15
D 15/5	75	40 ( $\pm 20$ )	75	155	15
D 15/7	100	50 ( $\pm 25$ )	100	180	15
D 15/9	150	100 ( $\pm 50$ )	150	230	15
D 15/13	200	100 ( $\pm 50$ )	200	280	15
D 15/14	250	180 ( $\pm 90$ )	250	330	15
D 15/18	350	200 ( $\pm 100$ )	350	430	15

Corner version	Joint width $b_f \text{ max}$ [mm]	Total movement $\Delta b_f$ [mm]	Visible width $b_s$ [mm]	Total width $b_t$ [mm]	Joint height $h$ [mm]
DE 15/4	30	10 ( $\pm 5$ )	22	76	15
DE 15/6	75	40 ( $\pm 20$ )	55	114	15
DE 15/8	100	50 ( $\pm 25$ )	80	139	15
DE 15/11	150	100 ( $\pm 50$ )	125	189	15
DE 15/15	200	120 ( $\pm 60$ )	190	239	15
DE 15/16	250	180 ( $\pm 90$ )	220	289	15
DE 15/22	350	200 ( $\pm 100$ )	390	389	15

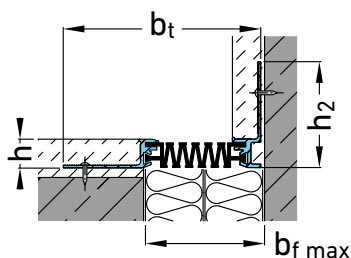
**Production length:** 4 m

**Max. delivery length of the inlay:** 50 m

**Standard colours:** grey. D 15/3 and DE 15/4 also available in beige.



**Corner version:**



Insert for joint D 15/3 and DE 15/4



Insert for joint D 15/5 and DE 15/6



Insert for joints D 15/7 and DE 15/8



Insert for joint D 15/9 and DE 15/11



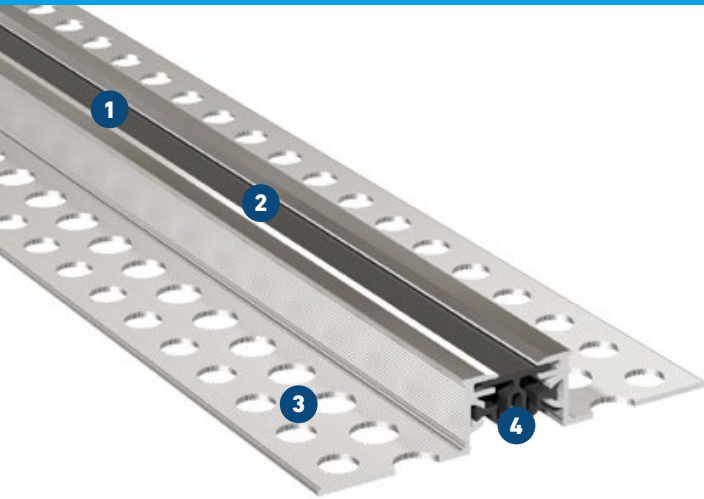
Insert for joints D 15/13 and DE 15/15

# D 20 / DE 20

FOR WALLS AND CEILINGS WITH PLASTER AND TILES

# MIGUTEC

JOINT COVERS FOR EXPANSION JOINTS



- 1 Flexible high quality elastomeric insert**  
Hard wearing, temperature resistant (-30°C to +120°C), replaceable
- 2 Large movement capacity**  
Special flexible folded insert (up to 50 m length)
- 3 MultiHole mounting bracket**  
for secure fixing
- 4 Double protection against water**  
Due to double sliding of the sealing insert within metal joint covers

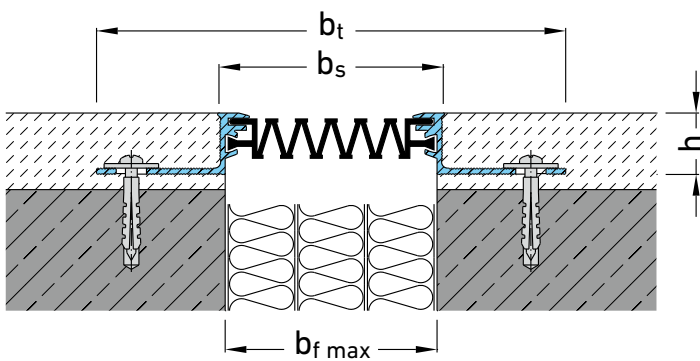
Standard version	Joint width $b_f \text{ max}$ [mm]	Total movement $\Delta b_f$ [mm]	Visible width $b_s$ [mm]	Total width $b_t$ [mm]	Joint height $h$ [mm]
D 20/3	30	10 ( $\pm 5$ )	32	111	20
D 20/5	75	40 ( $\pm 20$ )	75	160	20
D 20/7	100	50 ( $\pm 25$ )	100	180	20
D 20/9	150	100 ( $\pm 50$ )	150	230	20
D 20/13	200	120 ( $\pm 60$ )	200	280	20
D 20/14	250	180 ( $\pm 90$ )	250	330	20
D 20/18	350	200 ( $\pm 100$ )	350	430	20

Corner version	Joint width $b_f \text{ max}$ [mm]	Total movement $\Delta b_f$ [mm]	Visible width $b_s$ [mm]	Total width $b_t$ [mm]	Joint height $h$ [mm]
DE 20/4	30	10 ( $\pm 5$ )	25	81	20
DE 20/6	75	40 ( $\pm 20$ )	60	116	20
DE 20/8	100	50 ( $\pm 25$ )	85	141	20
DE 20/11	150	100 ( $\pm 50$ )	130	191	20
DE 20/15	200	120 ( $\pm 60$ )	180	241	20
DE 20/16	250	180 ( $\pm 90$ )	210	291	20
DE 20/22	350	200 ( $\pm 100$ )	380	391	20

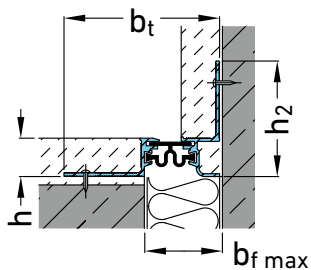
**Production length:** 4 m

**Max. delivery length of the inlay:** 50 m

**Standard colours:** grey. D 20/3 also available in beige.



**Corner version:**



Insert for joints D 20/3 and DE 20/4



Insert for joints D 20/5 and DE 20/6



Insert for joints D 20/7 and DE 20/8



Insert for joints D 20/9 and DE 20/11



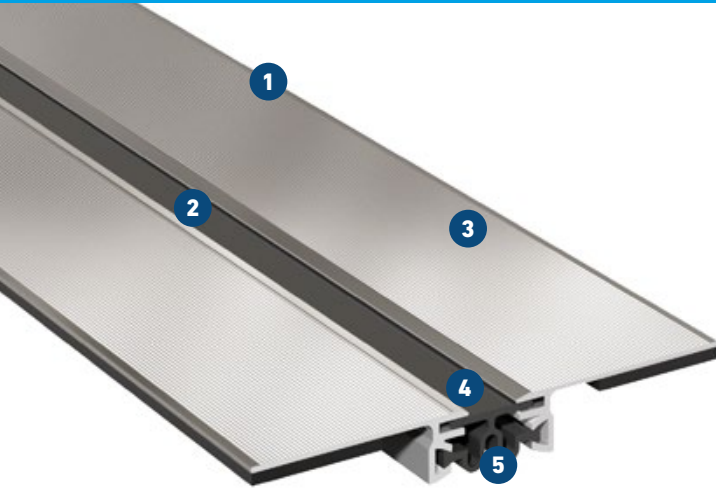
Insert for joints D 20/13 and DE 20/15

# FA 25 / FAE 25

FOR COVERING JOINTS IN WALLS, CEILINGS AND FACADES – SURFACE FIXING

# MIGUTEC

JOINT COVERS FOR EXPANSION JOINTS



- 1 Very flat design**
- 2 Flexible high quality elastomeric insert**  
Hard wearing, temperature resistant (-30°C to +120°C), replaceable
- 3 Quick and easy installation**  
Aluminium brackets with cellular rubber joint tapes to compensate for unevenness in the building surface
- 4 Double protection against water**  
Due to double sliding of the sealing insert within metal joint covers
- 5 Large movement capacity**  
Special flexible folded insert (up to 50 m length)

Standard version	Joint width $b_f$ max [mm]	Total movement $\Delta b_f$ [mm]	Total width $b_t$ [mm]	Installation height [mm]
FA 25/3	30	10 ( $\pm 5$ )	111	12
FA 25/5	75	40 ( $\pm 20$ )	157	12
FA 25/7	100	50 ( $\pm 25$ )	182	12
FA 25/9	150	100 ( $\pm 50$ )	232	12
FA 25/13	200	120 ( $\pm 60$ )	282	12
FA 25/14	250	180 ( $\pm 90$ )	332	12
FA 25/18	350	200 ( $\pm 100$ )	432	12

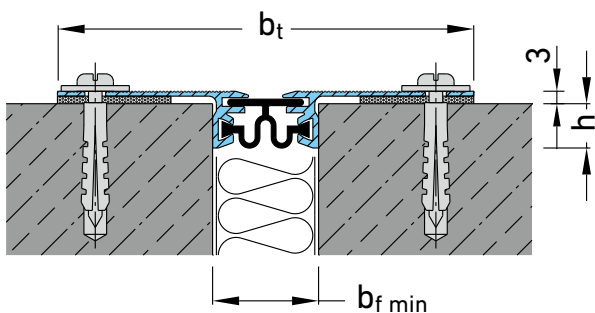
Corner version	Joint width $b_f$ max [mm]	Total movement $\Delta b_f$ [mm]	Total width $b_t$ [mm]	Installation height [mm]
FAE 25/4	30	10 ( $\pm 5$ )	69	12
FAE 25/6	75	40 ( $\pm 20$ )	114	12
FAE 25/8	100	50 ( $\pm 25$ )	139	12
FAE 25/11	150	100 ( $\pm 50$ )	189	12
FAE 25/15	200	120 ( $\pm 60$ )	239	12
FAE 25/16	250	180 ( $\pm 90$ )	289	12
FAE 25/22	350	200 ( $\pm 100$ )	389	12

The expansion joint covers can also be supplied with holes for fixing with screws (distance 300 mm each).

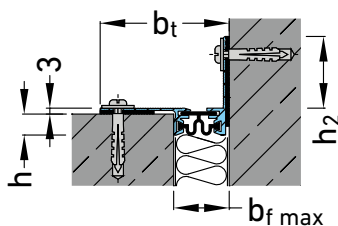
Please state exact details of total joint lengths in your order. The folded insert may then be supplied in one piece up to approx. 50 m for the complete joint.

**Production length:** 4 m

**Standard colours:** grey. FA 25/3 and FAE 25/4 also available in beige.



**Corner version:**



Insert for joints FA 25/3 and FAE 25/4



Insert for joints FA 25/5 and FAE 25/6



Insert for joints FA 25/7 and FAE 25/8



Insert for joints FA 25/9 and FAE 25/11



Insert for joints FA 25/13 and FAE 25/15

# FA 12

FOR COVERING JOINTS IN WALLS, CEILINGS AND FACADES – SURFACE FIXING

# MIGUTEC

JOINT COVERS FOR EXPANSION JOINTS



- 1 Flexible high quality elastomeric insert**  
Hard wearing, temperature resistant (-30°C to +120°C)
- 2 Large movement capacity**  
Special flexible folded insert for movements up to 20 mm
- 3 High flexibility of insert**  
Suitable for straight and corner joints
- 4 Quick and easy installation**  
Aluminium brackets with cellular rubber joint tapes to compensate for unevenness in the building surface

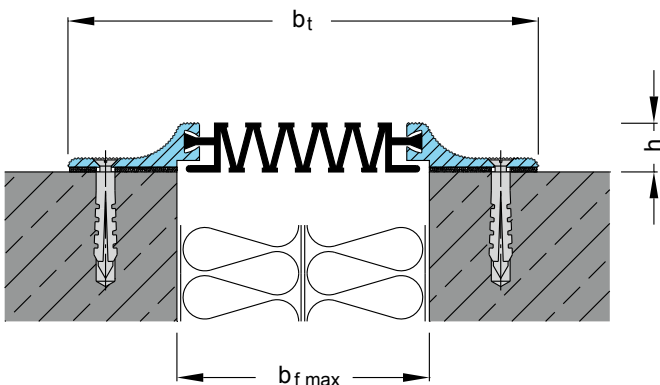
Expansion joint cover	Joint width $b_f \text{ max}$ [mm]	Total movement $\Delta b_f$ [mm]	Total width $b_t$ [mm]	Installation height [mm]
FA 12/5	75	40 ( $\pm 20$ )	132	12
FA 12/7	100	50 ( $\pm 25$ )	157	12
FA 12/9	150	100 ( $\pm 50$ )	207	12
FA 12/13	200	120 ( $\pm 60$ )	257	12
FA 12/14	250	180 ( $\pm 90$ )	307	12
FA 12/18	350	200 ( $\pm 100$ )	407	12

The expansion joint covers can also be supplied with holes for fixing with screws (distance 300 mm each).

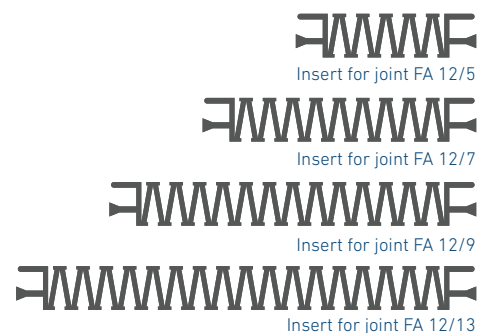
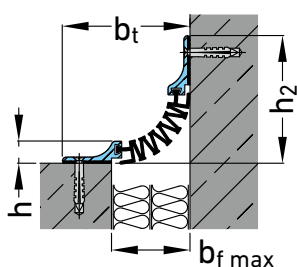
Please state exact details of total joint lengths in your order. The folded insert may then be supplied in one piece up to approx. 50 m for the complete joint.

**Production length:** 4 m

**Standard colour:** grey



**Corner version:**

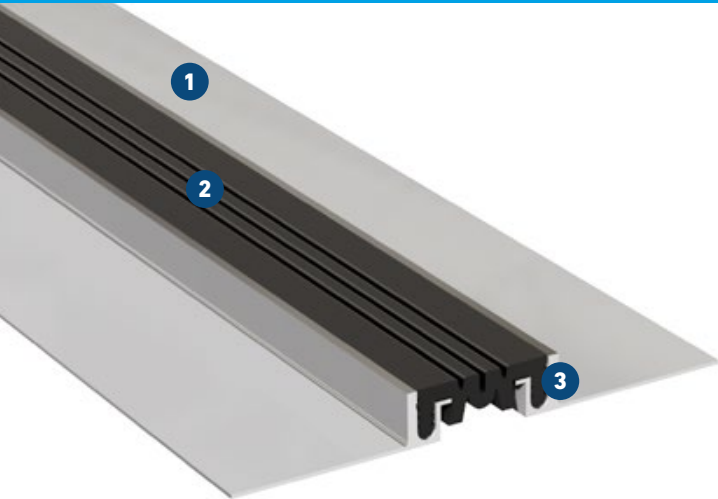


# DF 35 / DF 41 / DF 50 / DF 58

FOR JOINTS IN WALLS OF SANDWICH TYPE PLASTERBOARD

# MIGUTEC

JOINT COVERS FOR EXPANSION JOINTS



- 1 Easy installation**  
by means of nail or screws
- 2 Flexible high quality elastomeric insert**  
Hard wearing, temperature resistant (-30°C to +120°C), replaceable
- Same appearance of joints in floor and wall**  
as the same type of insert is used for both applications by using inserts of series (FV 35 (DF 35) resp. FP 55 (DF50))
- 3 Solid all-metal expansion joint cover**  
Hard wearing, maintenance-free, long lasting

Expansion joint cover	Joint width	Total movement	Visible width	Total width	Joint height	Thickness of sandwich type plasterboard
	$b_f \text{ max}$ [mm]	$\Delta b_f$ [mm]	$b_s$ [mm]	$b_t$ [mm]	$h$ [mm]	
DF 35	30	10 ( $\pm 5$ )	35	125	14	12,5
DF 41	35	14 ( $\pm 7$ )	41	131	14	12,5
DF 50	50	16 ( $\pm 8$ )	48	138	14	12,5
DF 58	58	22 ( $\pm 11$ )	56	146	14	12,5

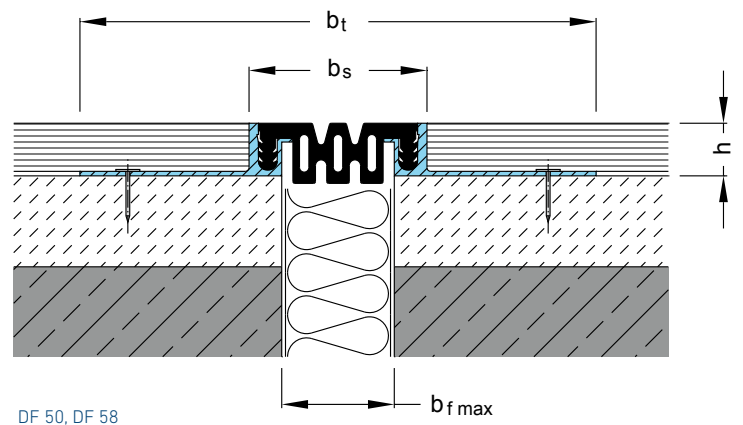
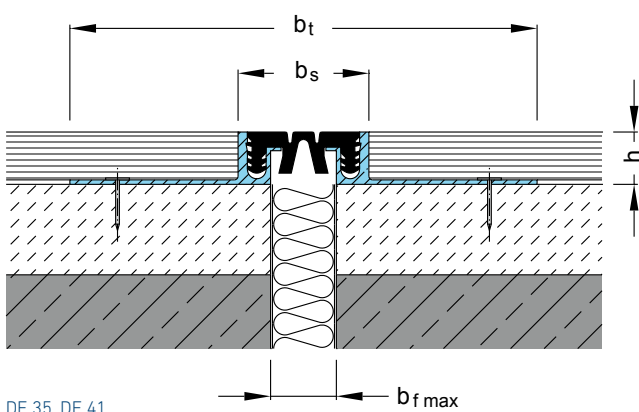
Expansions joint covers are also available with smooth insert as DFG 35 (joint movement 6 mm  $\pm$  3 mm), DFG 41 (joint movement 6 mm  $\pm$  3 mm), DFG 50 (joint movement 8 mm  $\pm$  4 mm).

This expansion joint cover DF 35 is to be combined with the floor joint FV35. Same applies to DF41 with FV41 and DF50 with FP55.

**Production length:** 3 m

**Standard colours:** black, grey, beige. DF 35 also in brown.

**Wall connections:** E1, E3, E4



# WP 255/22

ALL-METAL EXPANSION JOINT COVERS FOR WALLS AND CEILINGS

# MIGUTEC

JOINT COVERS FOR EXPANSION JOINTS



- 1 **Solid all-metal expansion joint cover**
- 2 **Hard wearing, maintenance-free, long lasting**  
Large movement capacity

**Designed for movement up to 100 mm**  
Quick and easy installation

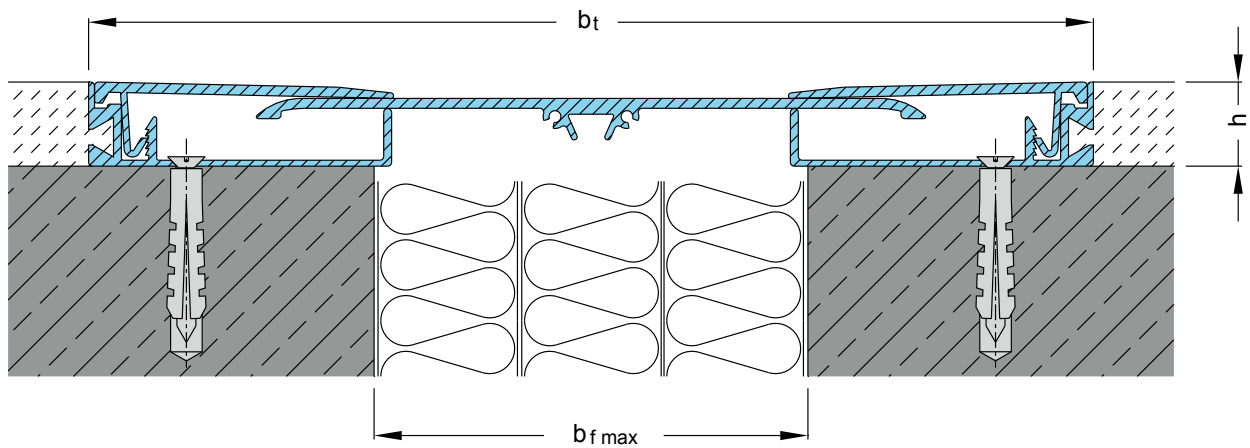
Standard version	Joint width $b_f \text{ max}$ [mm]	Total movement $\Delta b_f$ [mm]	Visible width $b_s$ [mm]	Total width $b_t$ [mm]	Joint height $h$ [mm]
WP 255/22	110	100 ( $\pm 50$ )	255	255	22

Corner version	Joint width $b_f \text{ max}$ [mm]	Total movement $\Delta b_f$ [mm]	Visible width $b_s$ [mm]	Total width $b_t$ [mm]	Joint height $h$ [mm]
WP 255/22 E2	205	100 ( $\pm 50$ )	255	277	22

This expansion joint cover is also available for different joint widths. Details on request.

**Standard colour:** Aluminium

**Production length:** 3 m





# WPK 50 / WPK 100

FOR COVERING JOINTS IN WALLS, CEILINGS AND FACADES

# MIGUTEC

JOINT COVERS FOR EXPANSION JOINTS



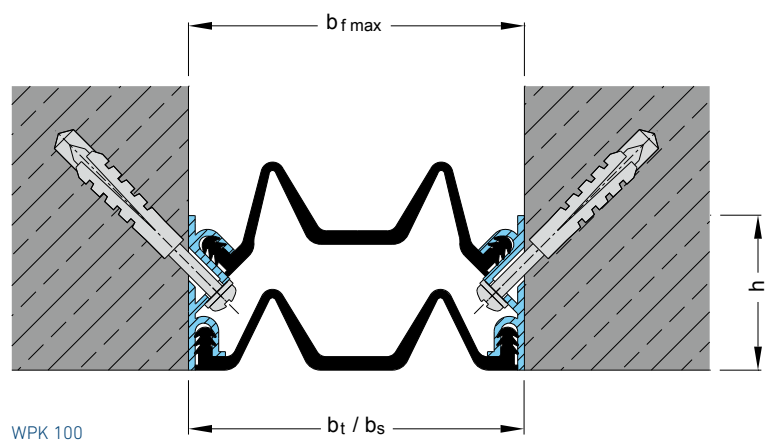
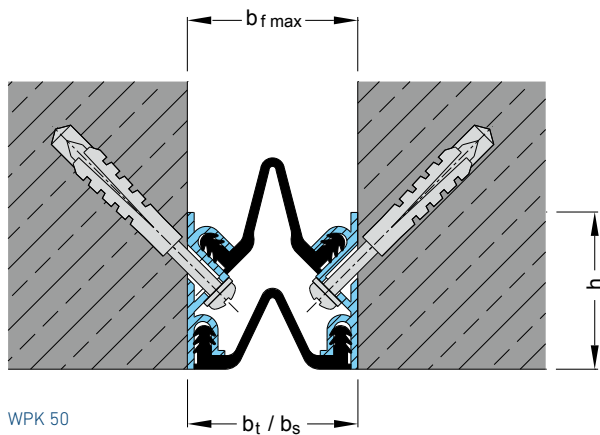
- 1 Small visible width**  
for fixing inside the joint for flush installation in walls- and ceilings
- 2 Flexible high quality elastomeric insert for internal and external use**  
Long wearing, weather resistant, temperature resistant (-30°C bis +120°C)
- Installation tool available on request**
- 3 Available without secondary seal on request**  
e.g. for internal use

Expansion joint cover	Joint width $b_f \text{ max}$ [mm]	Total movement $\Delta b_f$ [mm]	Visible width $b_s$ [mm]	Total width $b_t$ [mm]	Joint height $h$ [mm]
WPK 50	50	45 (-20/+25)	50	50	46
WPK 100	100	100 ( $\pm 50$ )	100	100	46

Please state exact details of total joint lengths in your order.

**Production length:** 4 m

**Standard colours:** black, grey





- 1 High-quality TPE (thermoplastic elastomer) sealing**  
Compensate unevenness of wall construction

**Durable**  
Anodised surface for long-lasting high-grade visual appearance

**Easy to install**  
Simply adjustable and quick to fasten

- 2 Invisible Fixing**  
Innovative clip construction

Standard version	Joint width max. $b_f$ max [mm]	Total movement thermal $\Delta b_f$ [mm]	Visible width $b_s$ [mm]	Installation height $h$ [mm]
WJC 50	50	65 (+25/-40)	140	10
WJC 100	100	140 (+50/-90)	222	10
WJC 150	150	215 (+75/-140)	290	10
WJC 200 *	200	200 (+70/-130)	340	10

Corner version	Joint width max. $b_f$ max [mm]	Total movement thermal $\Delta b_f$ [mm]	Visible width $b_s$ [mm]	Installation height $h$ [mm]
WJC 50 E4	50	60 (+25/-35)	83	50
WJC 100 E4	100	135 (+50/-85)	165	50
WJC 150 E4	150	210 (+75/-135)	233	50
WJC 200 E4 *	200	200 (+70/-130)	273	65

\* Available on request.

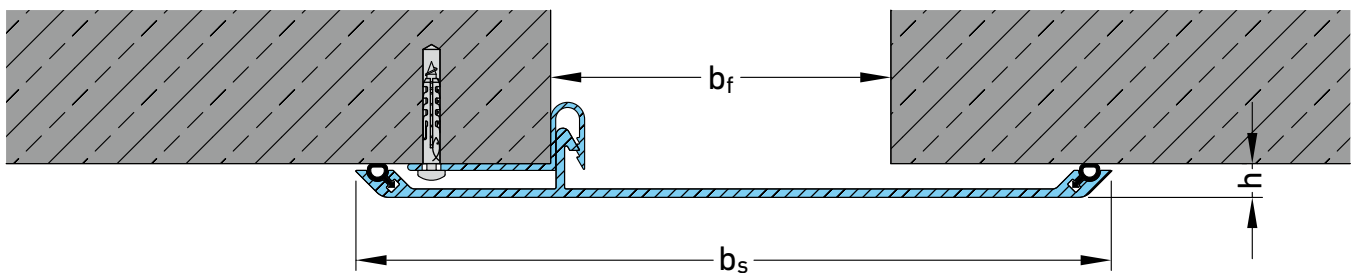
**Joint width by the time of installation. Potential tolerance:  $\pm 10$  mm**

Further joint widths available on demand.

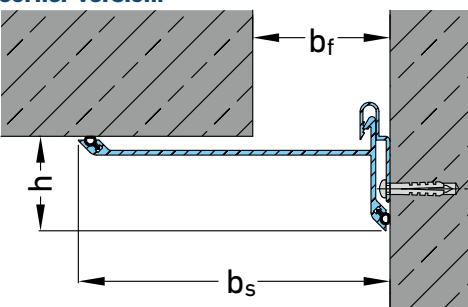
**Standard colour:** Aluminium anodised

Other Colours on request

**Production length:** 3 m



**Corner version:**



# KF 55

FOR COVERING JOINTS IN WALLS, CEILINGS AND FACADES

# MIGUTEC

JOINT COVERS FOR EXPANSION JOINTS



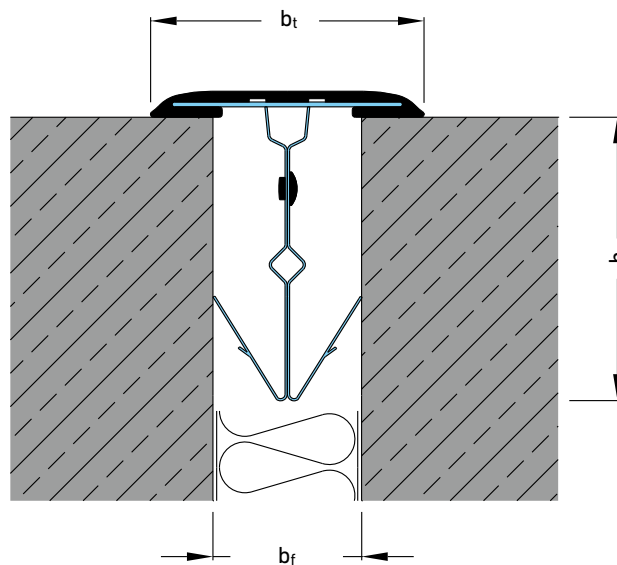
- 1 Perfect optical appearance**
  - 2 Flexible high quality elastomeric insert**  
Hard wearing, weather and temperature resistant (-30°C to +120°C)
  - 3 Quick and easy installation**  
Special types of corner joints available
- Secure and permanent fixing**  
using stainless steel spring clips 20 cm each

Expansion joint cover	Joint width $b_f$ max [mm]	Covering Width $b_t$ [mm]	Joint depth $h_{min}$ [mm]
KF 55/1530	15-35	50	40

Continuous steel insert and stainless steel clips (5 spring clips will be supplied per running meter).  
Joint covers of series KF 55/1530 will be normally supplied with the short standard clip K1.  
Joint covers can also be supplied with longer clip K2  $h_{min} = 75$  mm, if desired (at extra charge).

**Production length:** 20 m

**Standard colour:** grey



# KF 250 / KFE 250

FOR COVERING JOINTS IN WALLS, CEILINGS AND FACADES

# MIGUTEC

JOINT COVERS FOR EXPANSION JOINTS



**1 Aluminium cover with stainless steel spring clips**  
very long durability

**2 Secure and permanent fixing**  
using stainless steel spring clips

**Quick and easy installation**

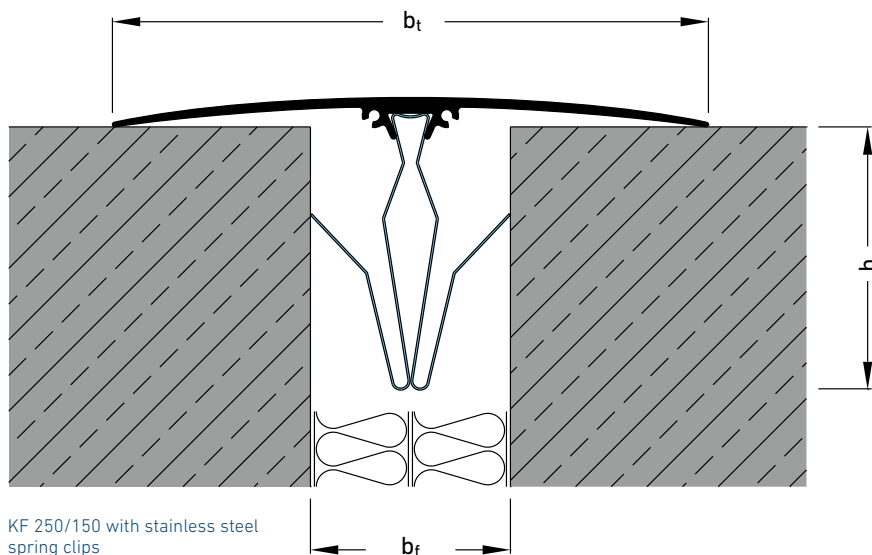
Expansion joint cover	Joint width <b>b<sub>f</sub> max</b> [mm]	Covering Width [mm]	Joint depth [mm]	Material	Standard color
KF 250/30	15-35	50	40	Aluminium	Aluminium
KFE 250/31	15-35	40	40	Aluminium	Aluminium
KF 250/70 *	15-35	70	40	Aluminium	Aluminium
KFE 250/71	15-35	50	40	Aluminium	Aluminium
KF 250/100 *	15-35	100	40	Aluminium	Aluminium
KFE 250/101 **	35-60	75	70	Aluminium	Aluminium
KF 250/150 **	35-80	150	70	Aluminium	Aluminium
KF 250/170 **	35-80	170	70	Aluminium	Aluminium

\* Special clips for joint width 35-80 mm (joint depth min. 70 mm) are available on request.

\*\* Expansion joint covers are only available with special clips.

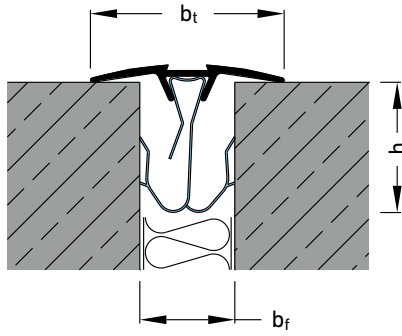
4 spring clips will be supplied per length of 3 m for expansion joint covers KF 250/30 to KFE 250/71. 6 spring clips are provided for expansion joint covers KF 250/100 to KF 250/150 and 8 spring clips for KF 250/170. The aluminium expansion joint covers can be factory-provided anodized or powder coated for significant orders.

**Production length:** 3 m

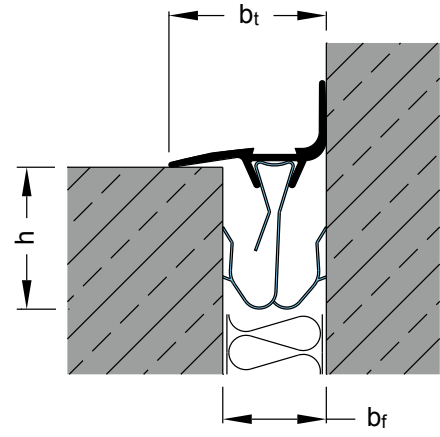


## INSTALLATION EXAMPLES

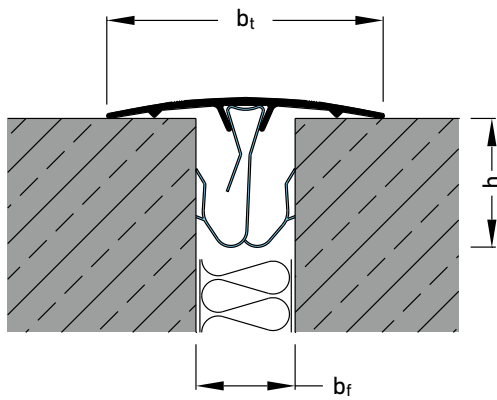
KF 250/30



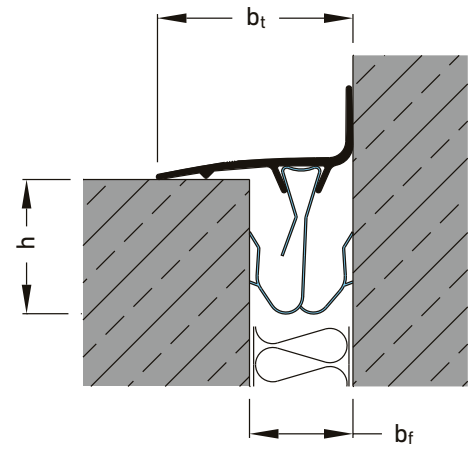
KFE 250/31



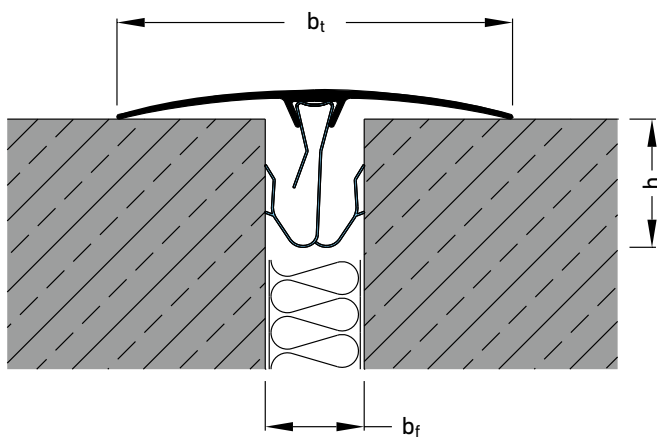
KF 250/70



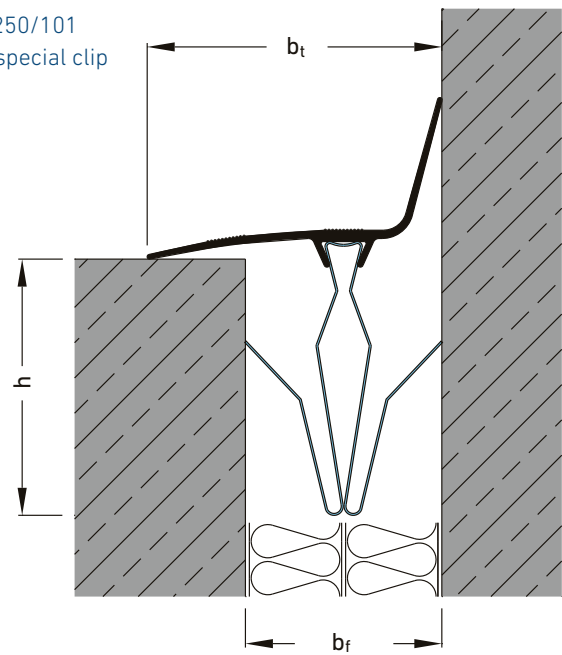
KFE 250/71



KF 250/100



KFE 250/101  
with special clip



# FB 20

FOR PRECAST CONSTRUCTION AND FAIR-FACED IN-SITU CONCRETE

# MIGUTEC

JOINT COVERS FOR EXPANSION JOINTS

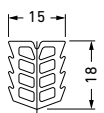


- 1 High quality EPDM material**  
Hard wearing, temperature resistant (-30°C to +120°C)
- 2 Easy installation, secure fixing and good surface pressure**  
by special design of the side bars
- 3 High durability**  
due to excellent permanent elasticity of EPDM material
- 4 Excellent sound and thermal insulation**  
due to speciall cellular design of the expansion joint

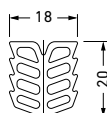
Expansion joint cover	Joint width required $b_s$ [mm]	Total movement [mm]	Joint depth $h_2$ [mm]
FB 20/1518	10	6	25
FB 20/1820	12	6	25
FB 20/2122	15	7	30
FB 20/2422	18	7	30
FB 20/3028	20	12	35
FB 20/4030	28	14	45
FB 20/5038	35	20	55
FB 20/6048	45	20	65

**Production length:** 20 m  
**Standard colours:** black, grey

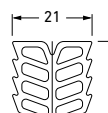
FB 20/1518



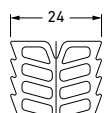
FB 20/1820



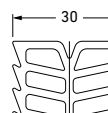
FB 20/2122



FB 20/2422



FB 20/3028



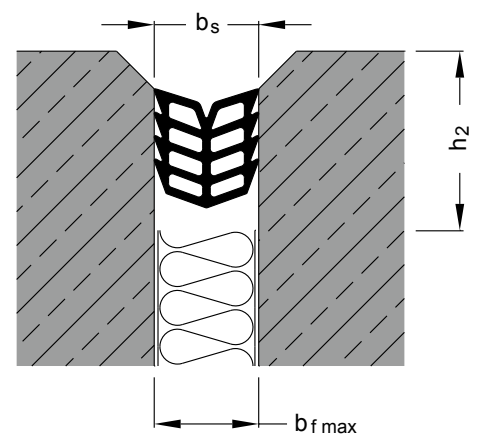
FB 20/4030

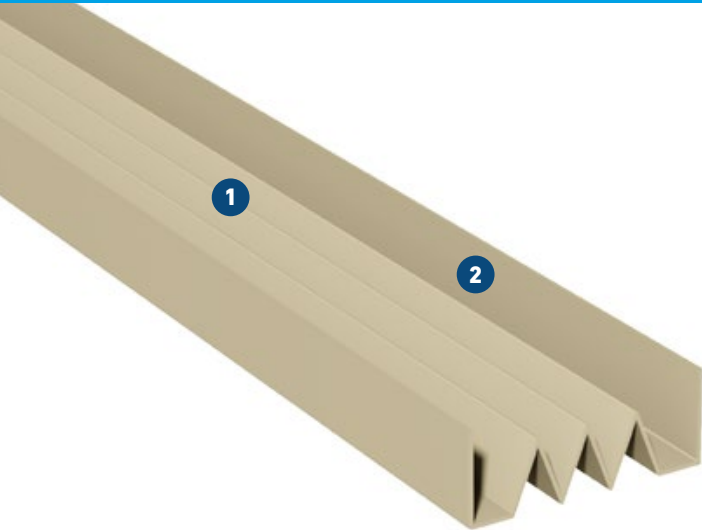


FB 20/5038



FB 20/6048





### Application for suspended ceilings

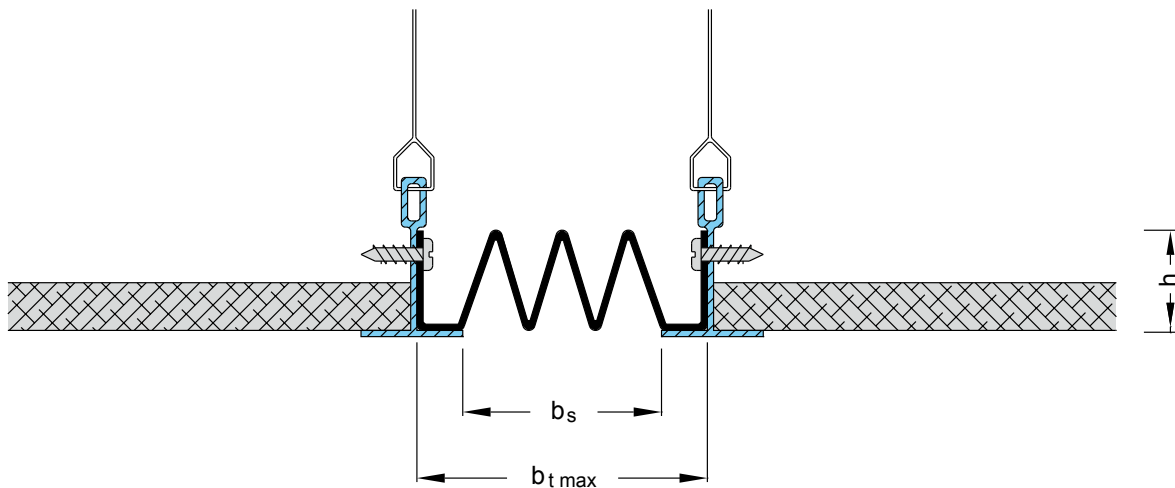
- 1 Simple handling**  
Perfect combination of rigid edges and flexible concertina-part
- 2 Easy application**  
Light weight allows fast overhead installation

Expansion joint cover	Total movement	Visible width	Total width	Joint height	
	$\Delta b_f$ [mm]	$b_s$ [mm]	$b_t$ [mm]	$h$ [mm]	
CP 25/25	50 ( $\pm 25$ )	25	50	25	
CP 50/25	70 ( $\pm 35$ )	50	75	25	

Visible width of expansion joint depends on ceiling construction.

**Production length:** 4 m

**Standard colour:** beige



## WALL CONNECTIONS CORNER VERSIONS

These wall connection versions are also available for the products lines: FK, FKN, FT, FTN, FG, FNG and FPG 55

Expansion joint cover	E1					E3				E4				
	b <sub>t</sub>	b <sub>s</sub>	b <sub>fmax</sub>	h <sub>E</sub>	h <sub>2</sub>	b <sub>t</sub>	b <sub>sbs</sub>	b <sub>fmax</sub>	h <sub>EhE</sub>	b <sub>t</sub>	b <sub>s</sub>	b <sub>fmax</sub>	h <sub>E</sub>	h <sub>2</sub>
FL 21 / FLG 21	–	–	–	–	–	53	23	21	32	53	23	21	54	40
FLK 21 / FLT 21	–	–	–	–	–	53	21	21	32	53	21	21	54	37/35
FV 35 / FG 35	87	34	40	55	40	74	37	28	32	74	36	28	55	40
FK 35 / FT 35	87	32	40	55	37/35	74	35	28	32	74	34	28	55	37/35
FV 41 / FG 41	92	39	46	55	40	79	42	33	32	79	41	33	55	40
FP 55 / FPG 55	113	50	63	55	40	104	56	54	35	101	53	51	62	44
FK 55	113	44	63	55	37	104	50	54	35	101	47	51	62	41
FP 55-4S	122	59	72	55	40	113	65	63	35	110	62	60	62	44
FP 55 MS-4S	122	60	72	55	39	113	66	63	35	110	63	60	62	43
FP 65	–	–	–	–	–	136	66	63	45	134	64	60	70	45
FP 65 NI	–	–	–	–	–	136	67	63	45	134	65	60	70	44
FGH 65 / FGH 2.0	–	–	–	–	–	134	67	60	37	136	71	64	81	44
FP 85	–	–	–	–	–	155	85	81	45	153	83	79	70	45
FP 105	–	–	–	–	–	182	112	108	45	180	110	106	70	45
ES 20 / ESG 20	–	–	–	–	–	70	22	20	35	70	22	20	75	40
ES 33 / ESG 33	–	–	–	–	–	73	35	33	35	73	35	33	75	40
ES 39 / ESG 39	–	–	–	–	–	78	40	38	35	78	40	38	75	40
ES 60 / ESG 60	–	–	–	–	–	108	62	58	32	109	63	59	75	43
FN 20 / FNG 20	–	–	–	–	–	*	*	*	*	61	61	23	55	40
FKN 20 / FTN 20	–	–	–	–	–	*	*	*	*	61	21	23	55	37/35
FN 35 / FNG 35	87	72	49	55	40	*	*	*	*	75	75	37	55	40
FKN 35 / FTN 35	87	32	49	55	37/35	*	*	*	*	75	34	37	55	37/35
FN 41 / FNG 41	92	77	54	55	40	*	*	*	*	80	80	42	55	40
FN 50 / FNG 50	122	107	62	55	40	*	*	*	*	110	110	50	62	44
FKN 50	122	44	62	55	37	*	*	*	*	110	47	50	62	41
FN 58	131	116	71	55	40	*	*	*	*	119	119	59	62	44
FN 65	–	–	–	–	–	*	*	*	*	145	145	74	71	45
FN 85	–	–	–	–	–	*	*	*	*	164	164	93	71	45
FN 110	–	–	–	–	–	–	–	–	–	192	192	75	70	43

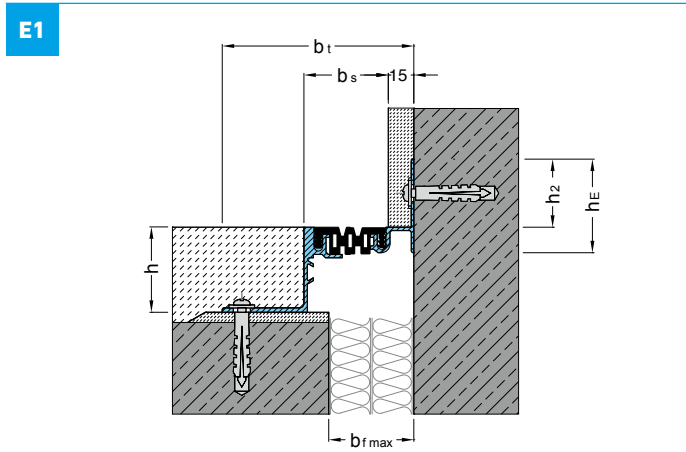
\* after consultation



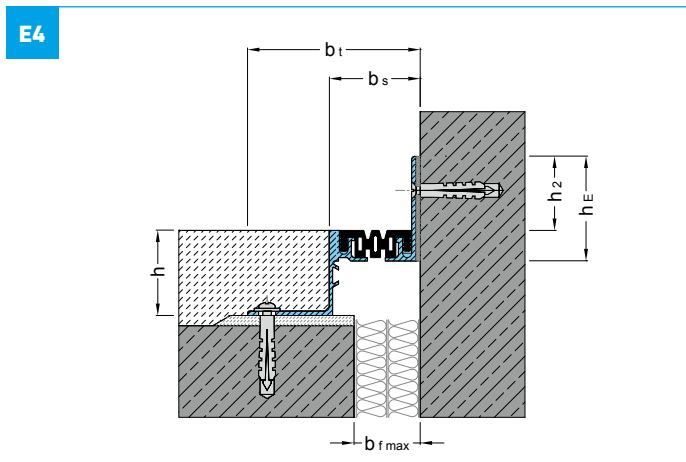
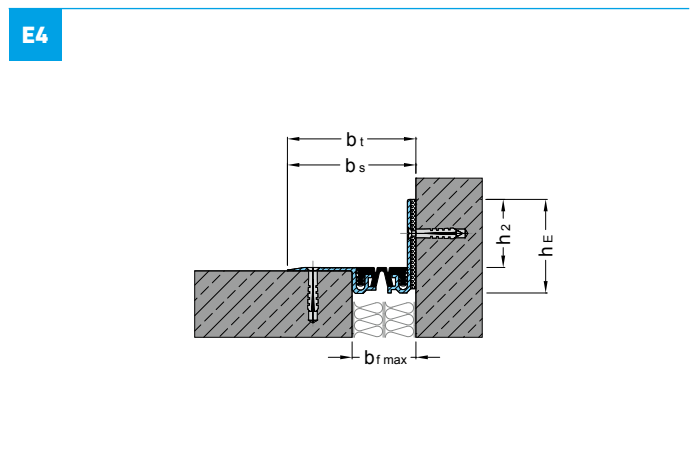
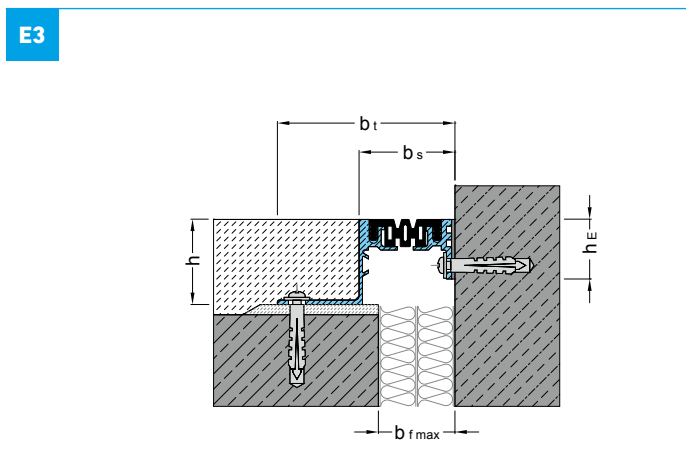
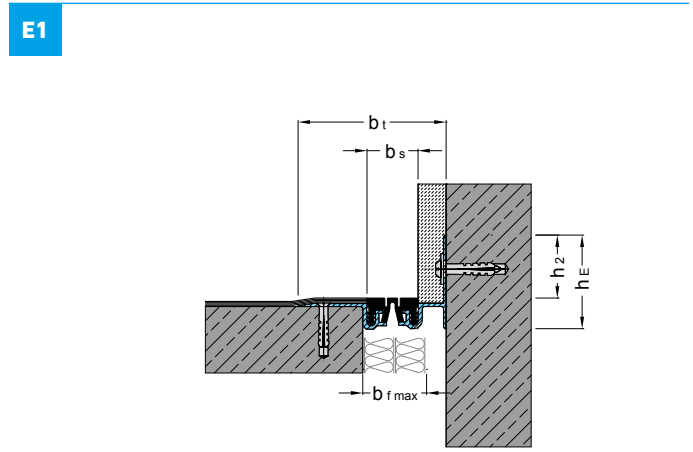
## WALL CONNECTIONS CORNER VERSIONS

These wall connection versions are also available for the products lines: FK, FKN, FT, FTN, FG, FNG and FPG 55

**FL 21, FV 35, FV 41,  
ES 20, ES 33, ES 39, ES 60  
FP 55, FP 55 4S, FP 55 NI,  
FP 65, FP 85, FP 105, DF (FP 65, FP 85, FP 105 nicht E1)**



**FN 20, FN 35, FN 41, FN 50,  
FN 58, FN 65, FN 85 (FN 65, FN 85 nicht E1)**

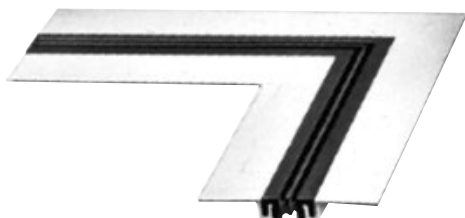


For joint covers FL 21, FK 21, FT 21, FN 21 the versions E3 and E4 are available.

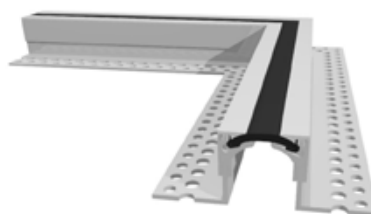
For joint covers ES 60, ESG 60 the wall versions E3 and E4 are available.

## MOULDED PARTS EXAMPLES

1



2



3



4



5



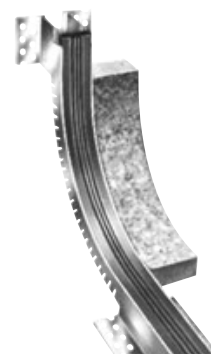
6



7

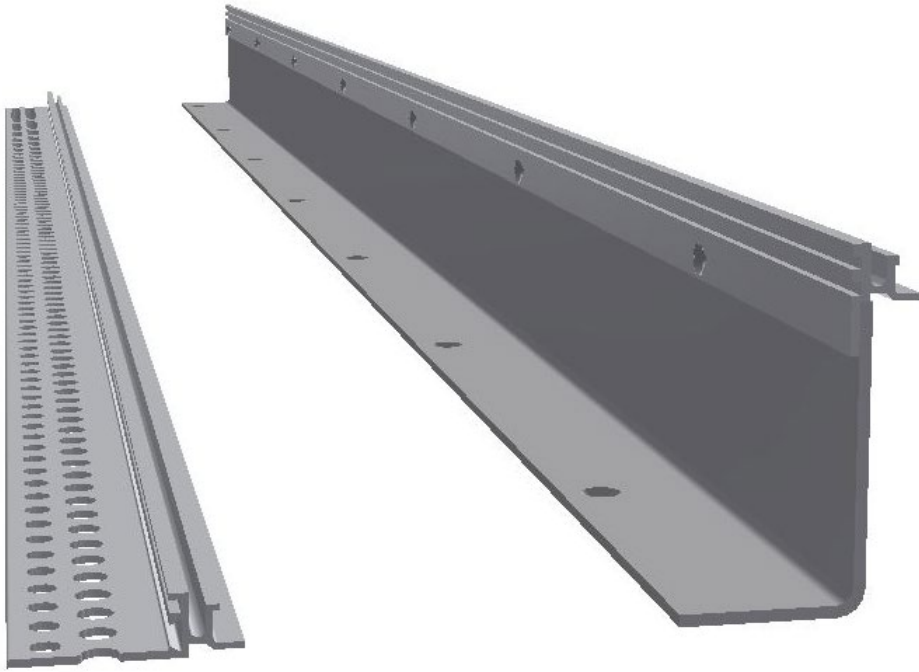


8



## DIFFERENT DESIGN VERSIONS

### OF THE CARRIER JOINT COVERS OF THE MIGUTEC EXPANSION JOINT COVER SYSTEM



Expansion joint covers with greater profile heights are mostly supplied with a single row of holes and pre-drilled fixing holes.

#### LEGAL NOTES

All specifications in this catalogue, in particular the suggestions for processing and use of our products correspond to our current knowledge state. Despite the greatest possible care, we are not able to guarantee that the non-binding information is without errors.

Further, the installation details shown in this catalogue are theoretical in nature and do not represent real objects. We reserve the right to make technical changes.

The current version, which can either be requested by us or downloaded from [www.migua.com](http://www.migua.com) applies.

The texts and images are subject to copyright.

**MIGUA Fugensysteme GmbH**

Dieselstraße 20  
42489 Wuelfrath, Germany

**Fon** +49 2058 774 0  
**Fax** +49 2058 774 48  
**Mail** [info@migua.de](mailto:info@migua.de)  
**Web** [www.migua.com](http://www.migua.com)