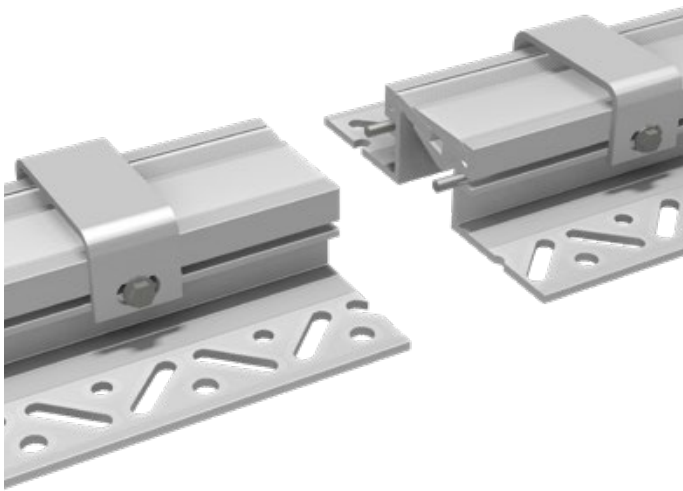


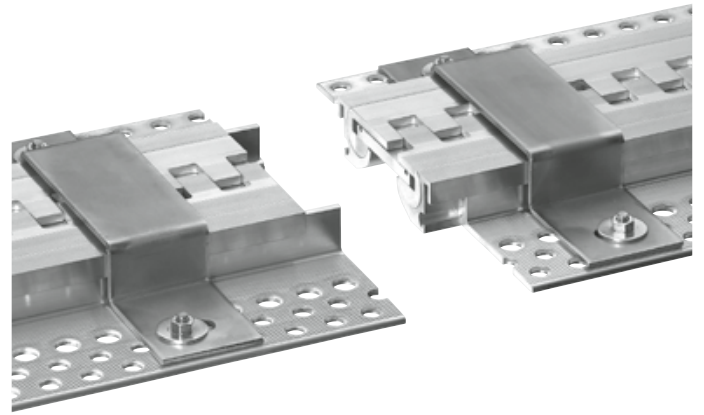
JOINT CONNECTIONS EXAMPLES FS

In case of **one-piece joint cover constructions**, the joint cover lengths are connected at the same height and on the same side by means of **insertable connecting pins**.

With **multi-part joint cover constructions**, the connection is made by pushing the **connecting brackets into one another**.

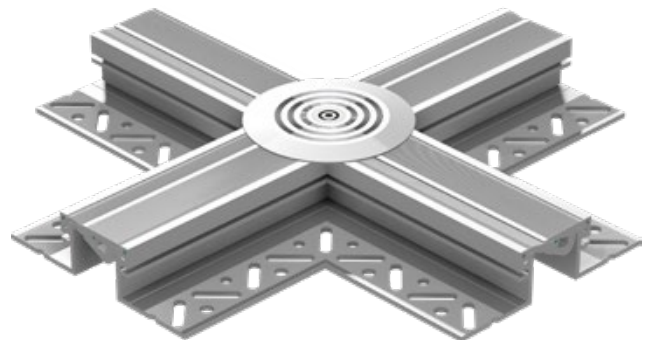
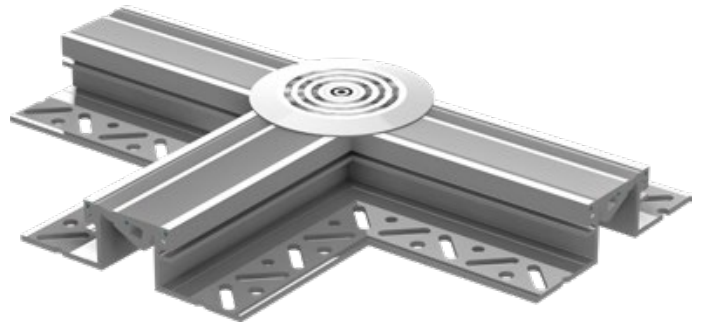
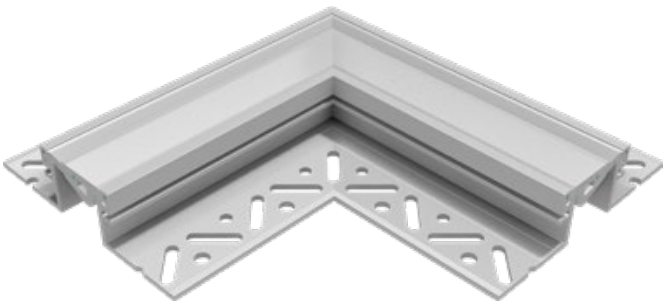


FS 75/42 (one-piece expansion joint construction)



FS 100/30 (one-piece expansion joint construction)

MOULDED PARTS EXAMPLES



Only asymmetrical joint covers require an additional plate at crossings or T-pieces. The direction of the groove bar and female multipoint connector can be freely selected for production.

Further intersection variations are available on request

MIGUTRANS

HEAVY-DUTY ALL-METAL JOINT SOLUTIONS FOR LARGE TRAFFIC LOADS

MOULDED PARTS EXAMPLES

