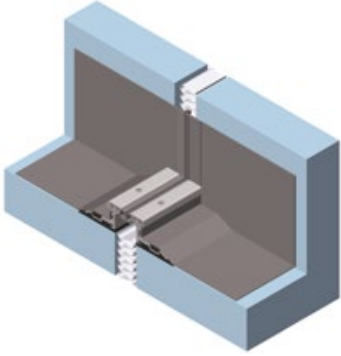
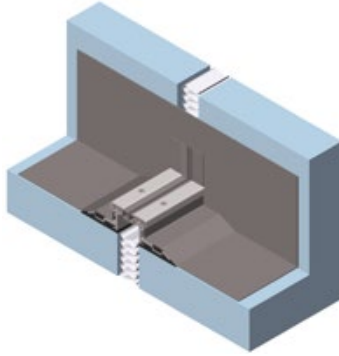


MOULDED PARTS

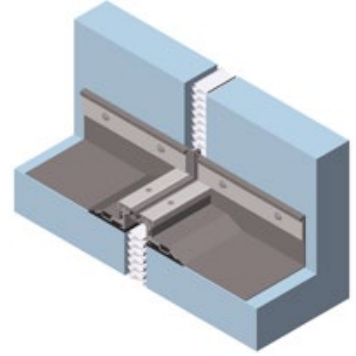
A 1



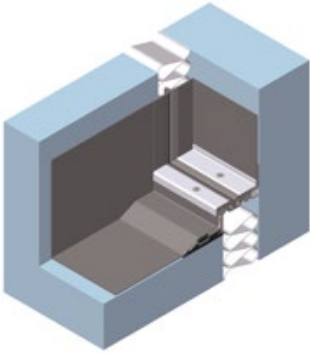
A 2



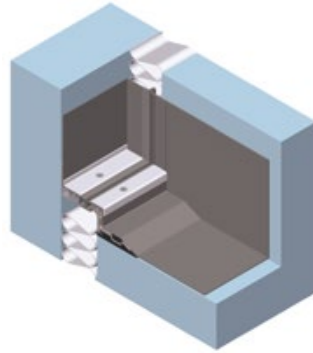
B



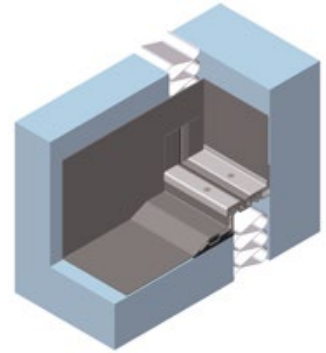
C right



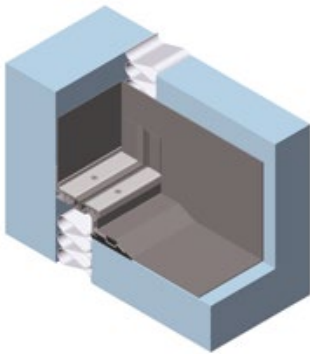
C left



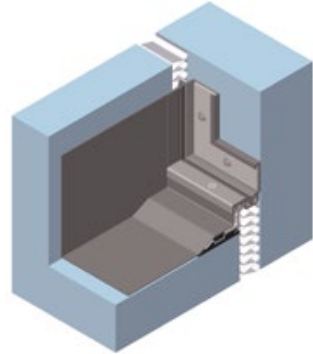
D right



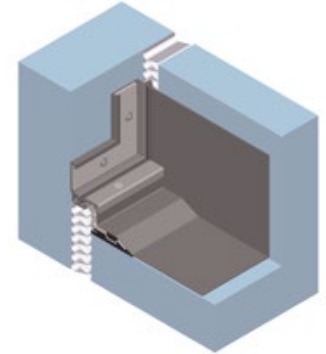
D left



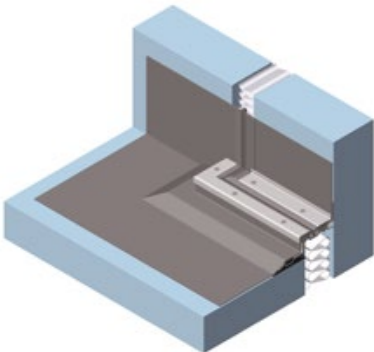
E right



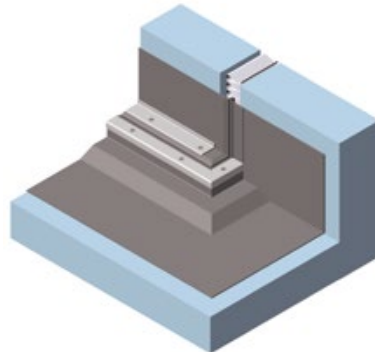
E left



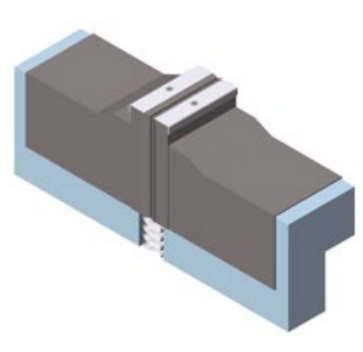
F right



F left

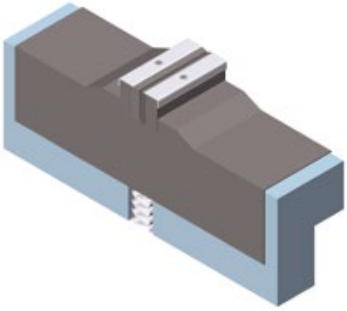


G 1

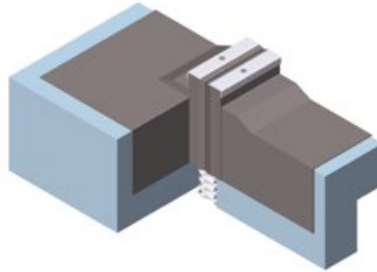


MOULDED PARTS

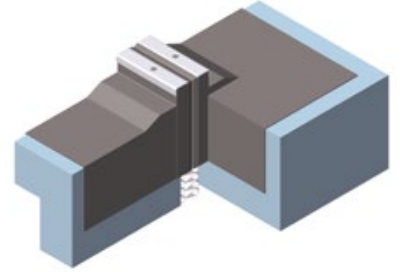
G 2



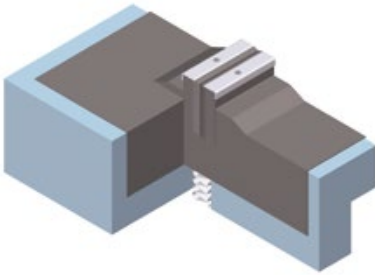
H 1 right



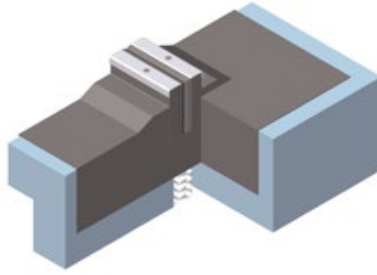
H 1 left



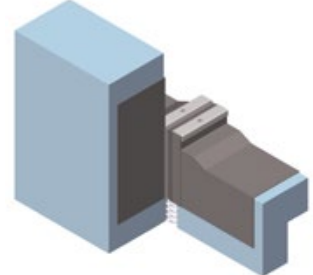
H 2 right



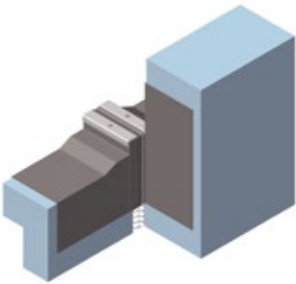
H 2 left



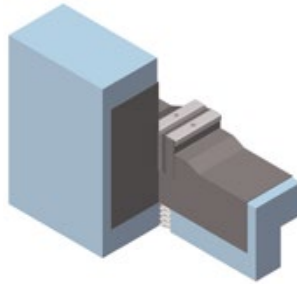
I 1 right



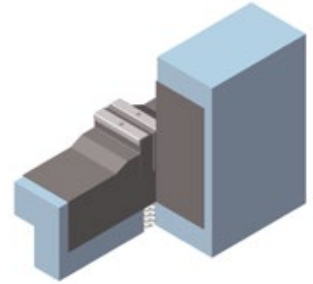
I 1 left



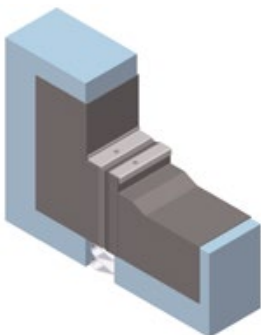
I 2 right



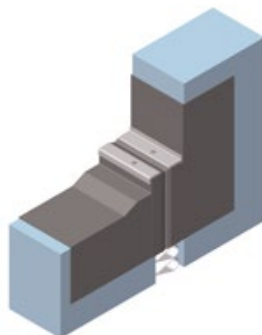
I 2 left



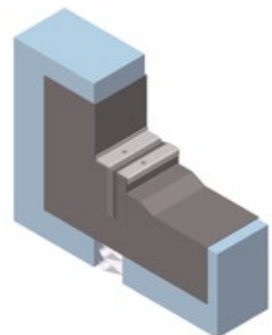
J 1 right



J 1 left

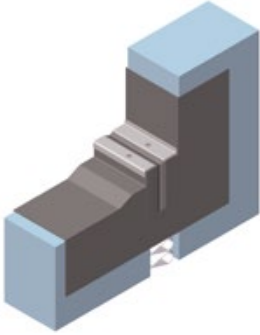


J 2 right

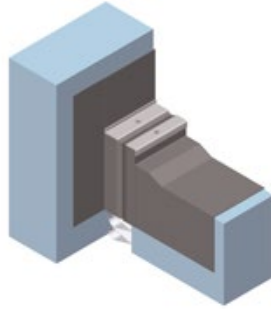


MOULDED PARTS

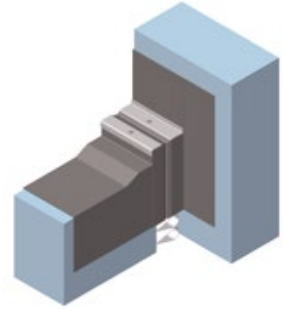
J 2 left



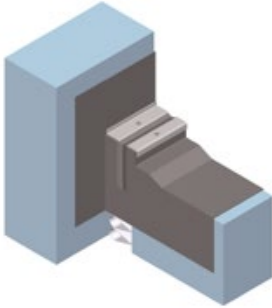
K 1 right



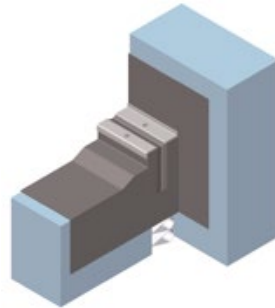
K 1 left



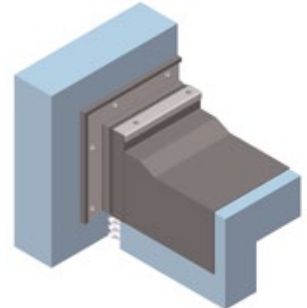
K 2 right



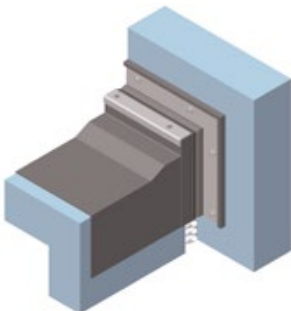
K 2 left



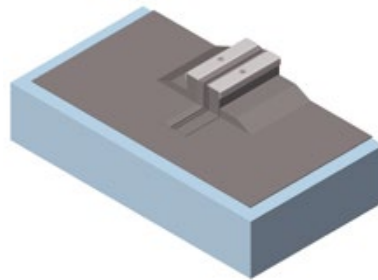
L right



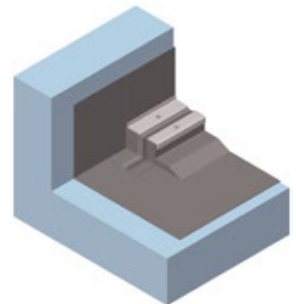
L left



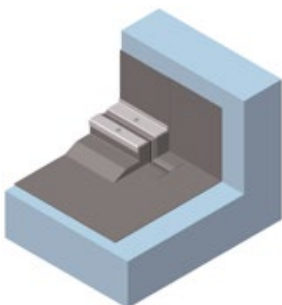
M



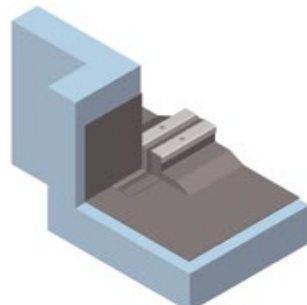
N right



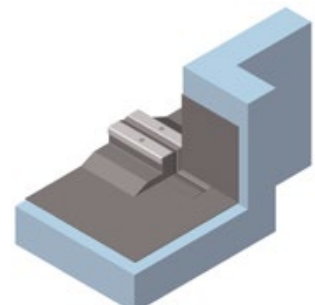
N left



O right

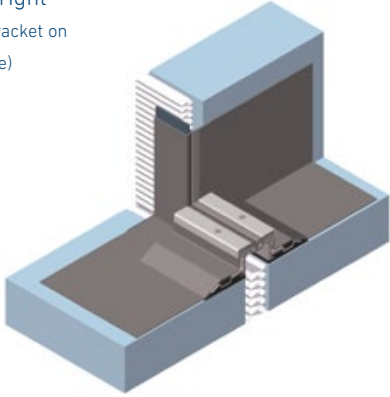


O left

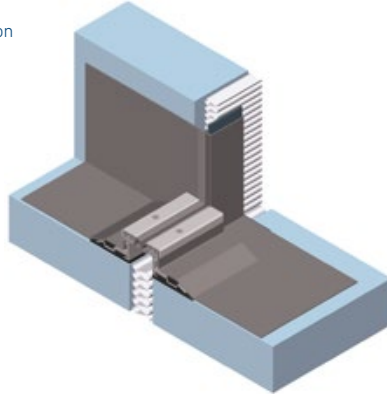


MOULDED PARTS

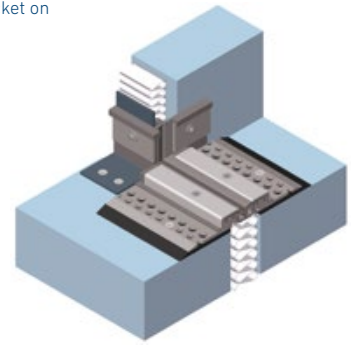
P right
(bracket on site)



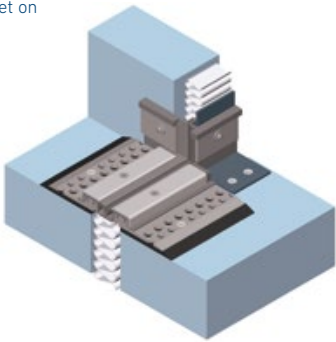
P left
(bracket on site)



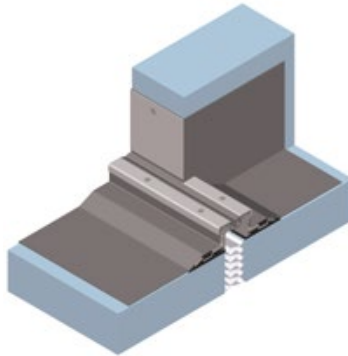
P 1 right
(bracket on site)



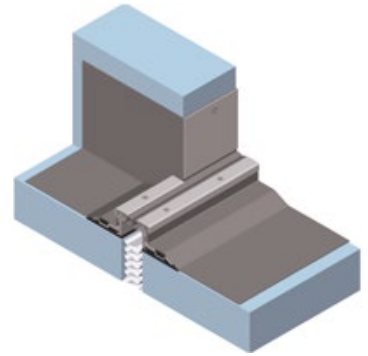
P 1 left
(bracket on site)



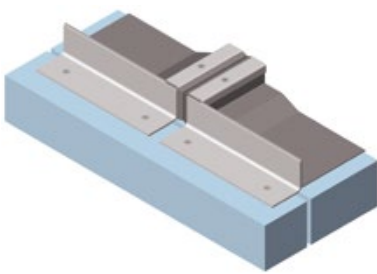
Q right



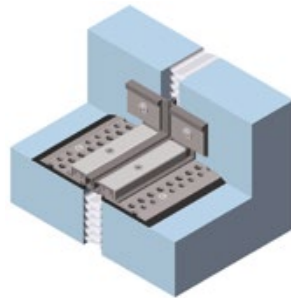
Q left



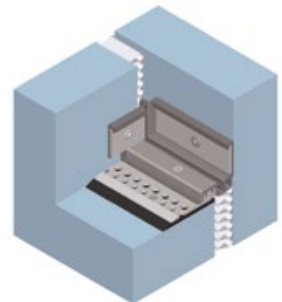
R



S



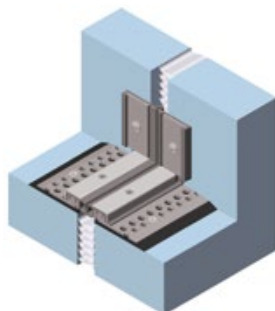
T right



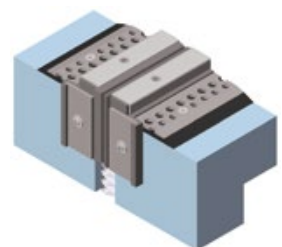
T left



U

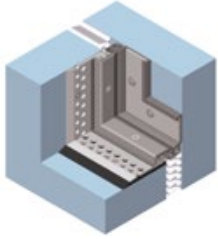


U 1

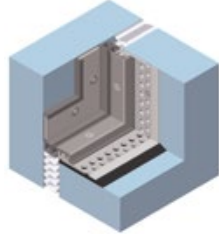


MOULDED PARTS

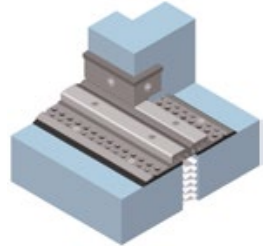
V right



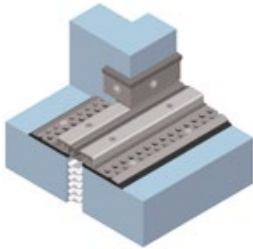
V left



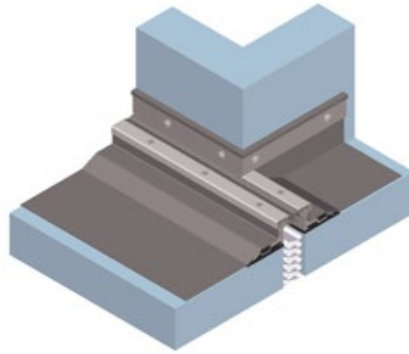
W right



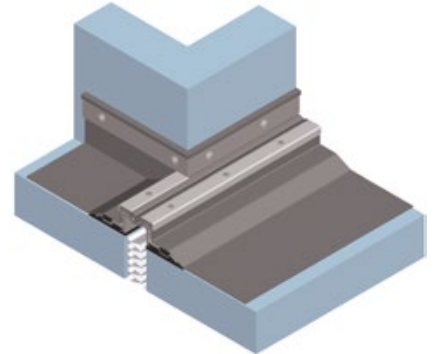
W left



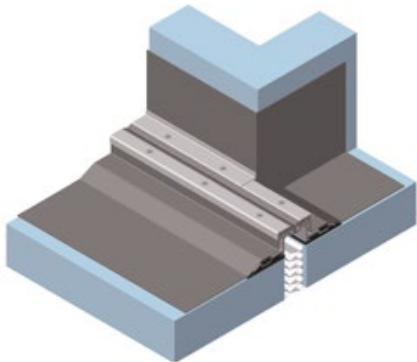
W 1 right



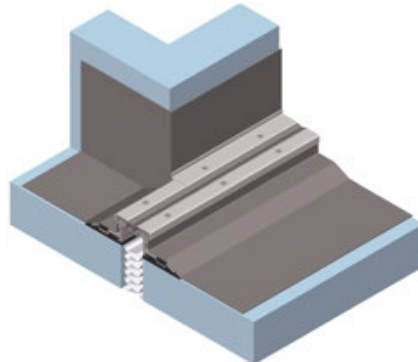
W 1 left



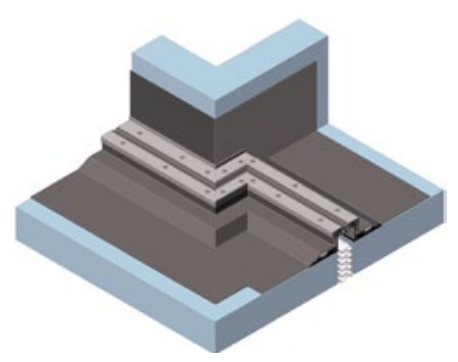
W 2 right



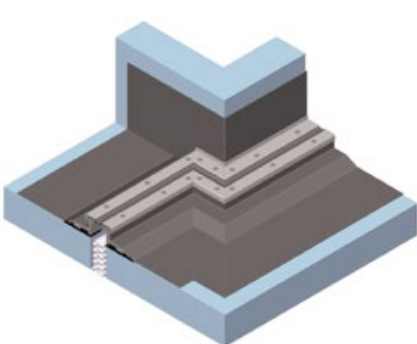
W 2 left



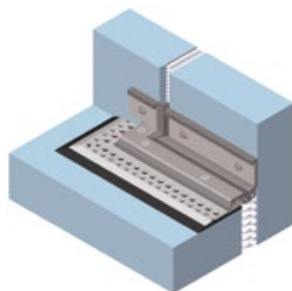
W 3 right



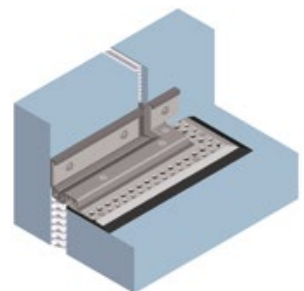
W 3 left



X right

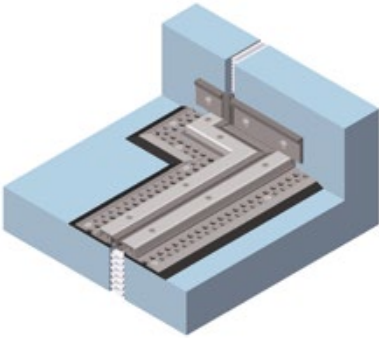


X left

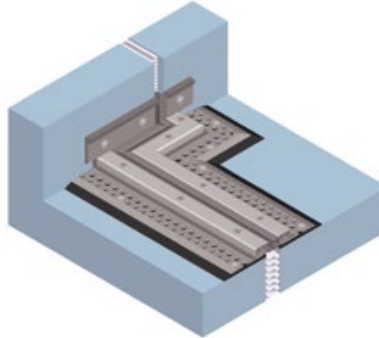


MOULDED PARTS

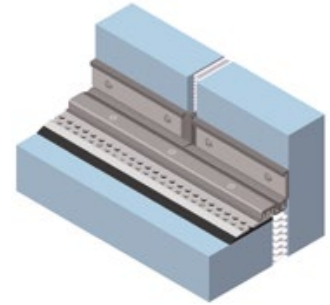
X 1 right



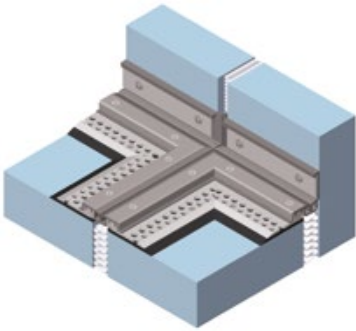
X 1 left



Y



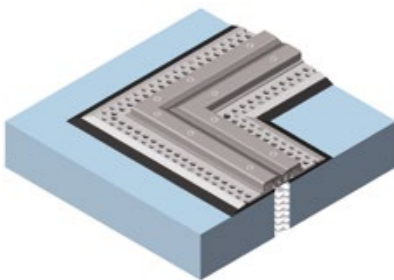
Z



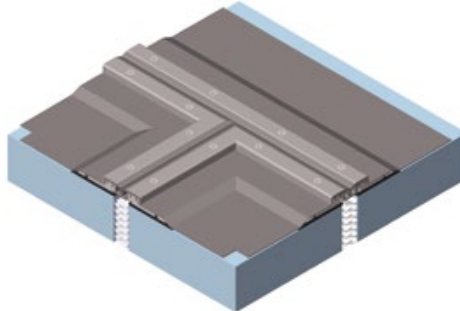
The represented intersections A–Z show a selection of the intersections that are possible. We are able to offer all kinds of intersections and connections, and even make the most complicated joint watertight.

STANDARD INTERSECTIONS

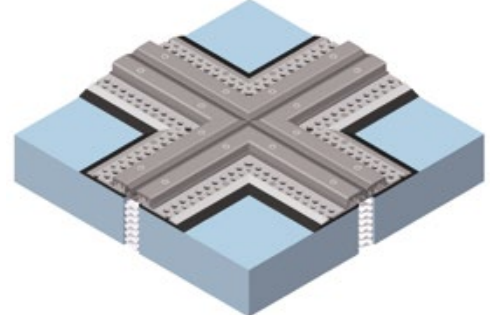
Angle, flat, short AAS sheets



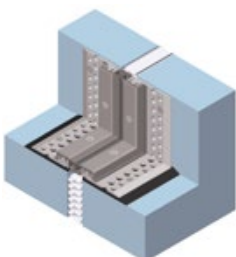
T-piece, long AAS sheets



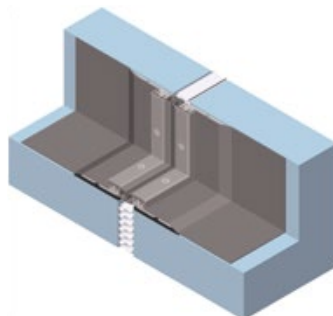
Crosspiece, short AAS sheets



Upturn, short AAS sheets



Upturn, long AAS sheets



Slope end point

