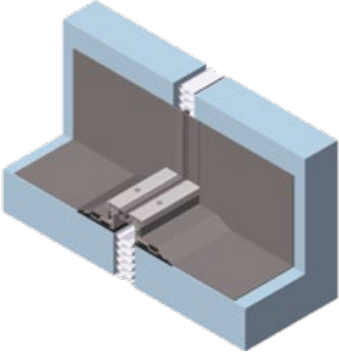
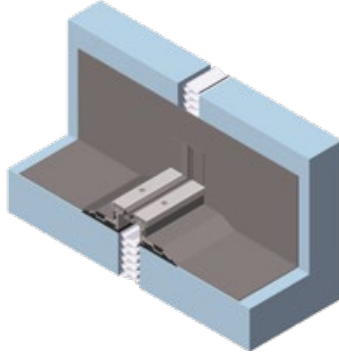


## MOULDED PARTS

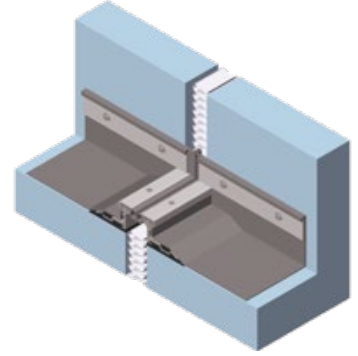
A 1



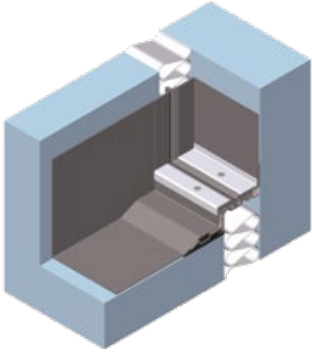
A 2



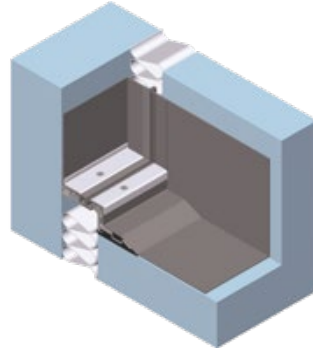
B



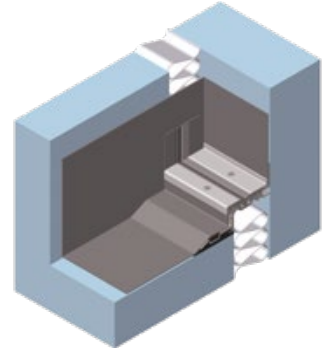
C right



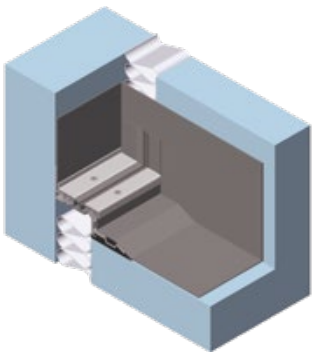
C left



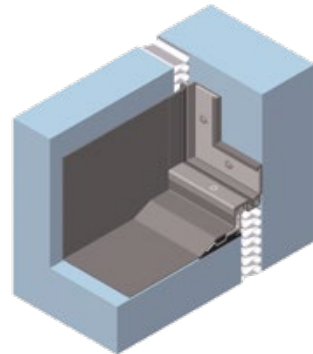
D right



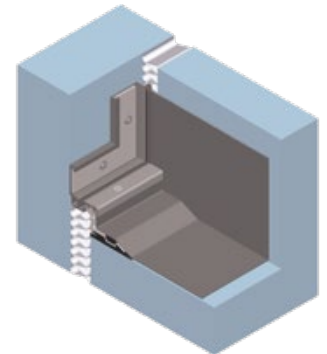
D left



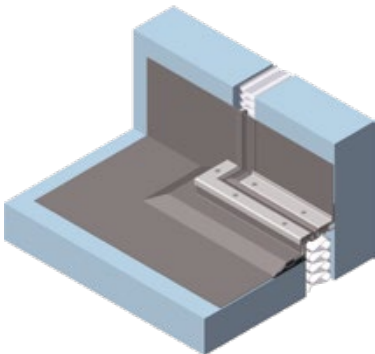
E right



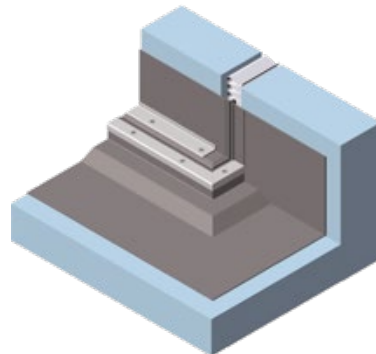
E left



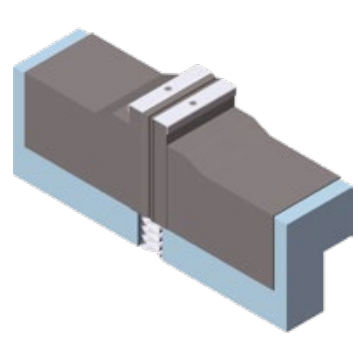
F right



F left

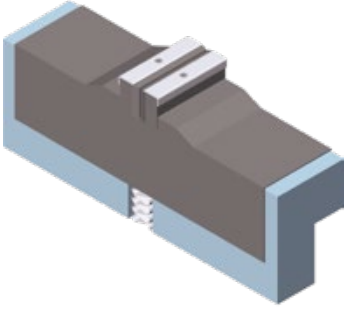


G 1

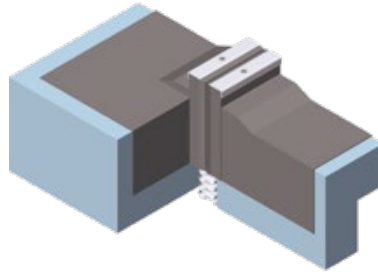


## MOULDED PARTS

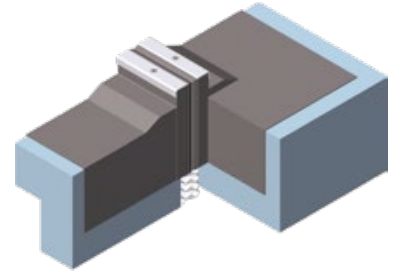
G 2



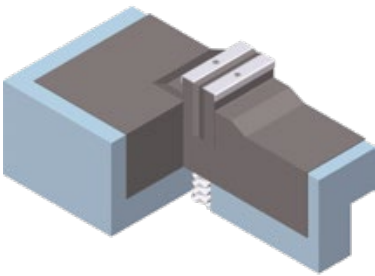
H 1 right



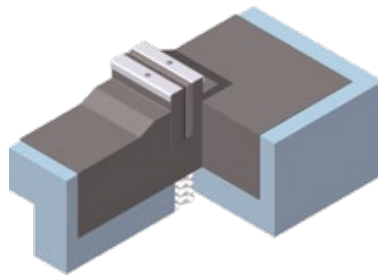
H 1 left



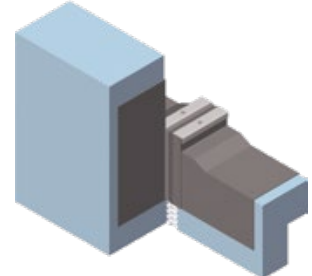
H 2 right



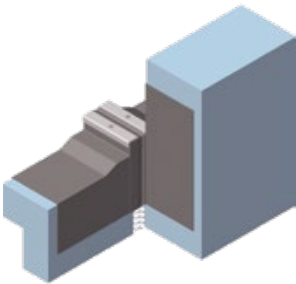
H 2 left



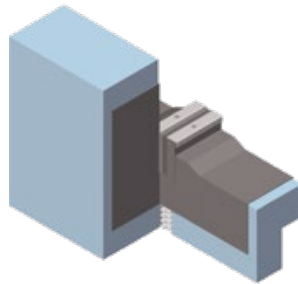
I 1 right



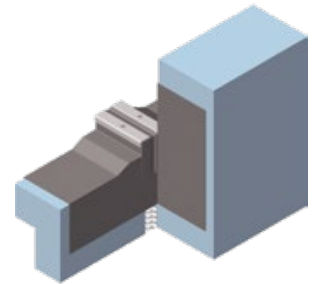
I 1 left



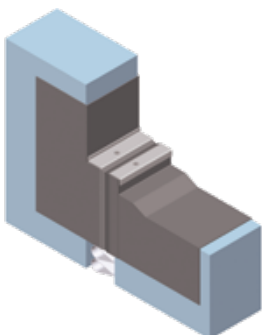
I 2 right



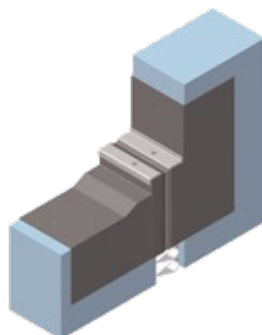
I 2 left



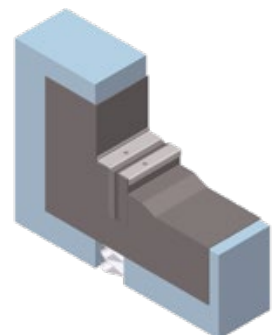
J 1 right



J 1 left

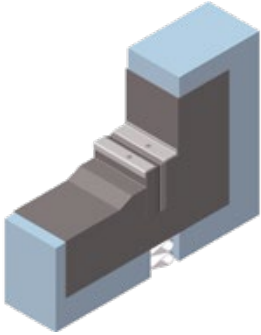


J 2 right

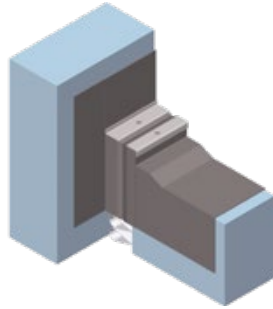


## MOULDED PARTS

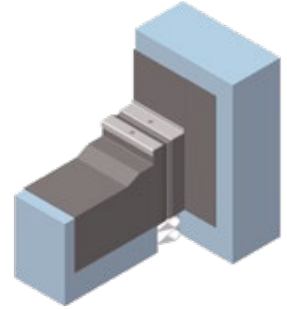
J 2 left



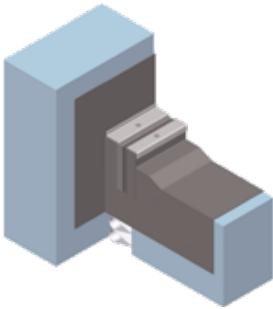
K 1 right



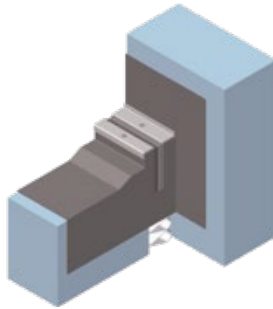
K 1 left



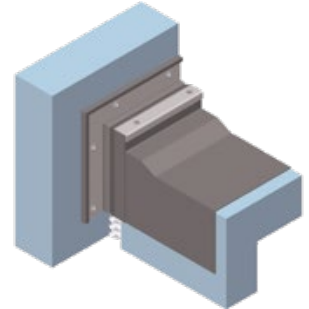
K 2 right



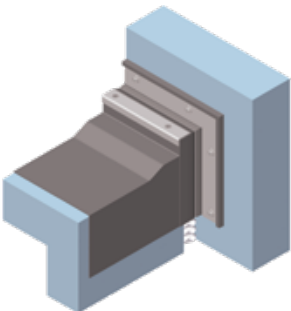
K 2 left



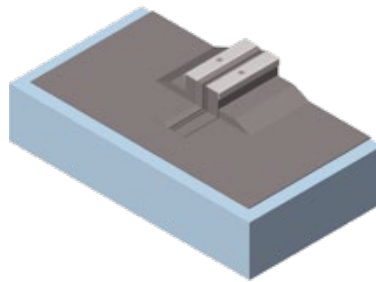
L right



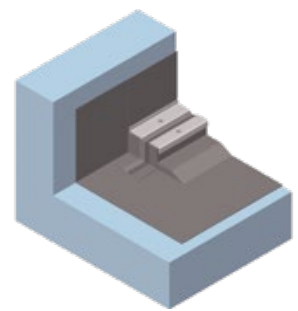
L left



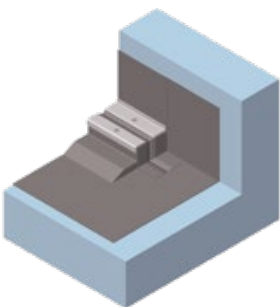
M



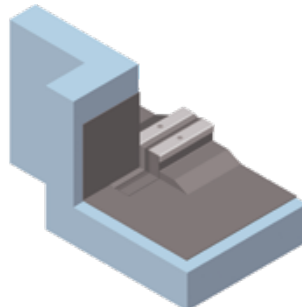
N right



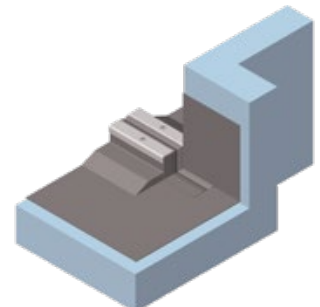
N left



O right

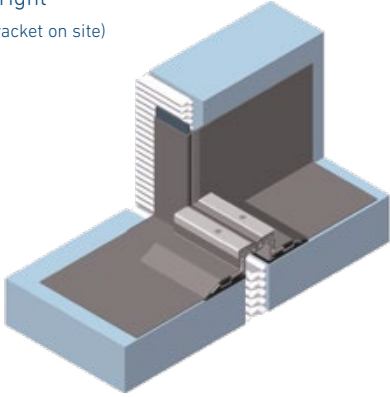


O left

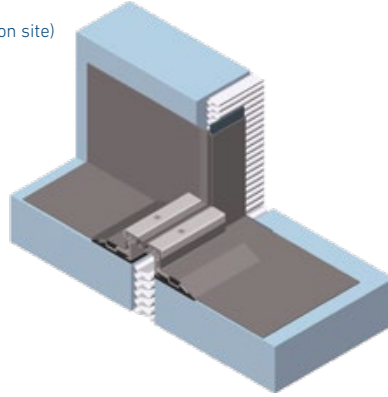


## MOULDED PARTS

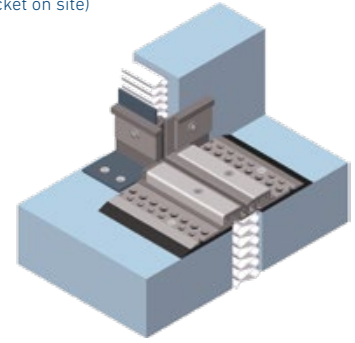
P right  
(bracket on site)



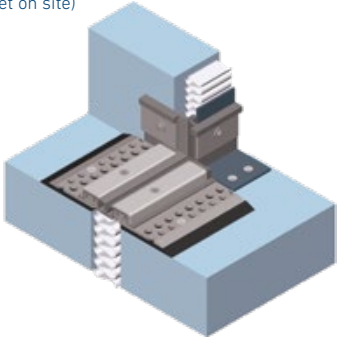
P left  
(bracket on site)



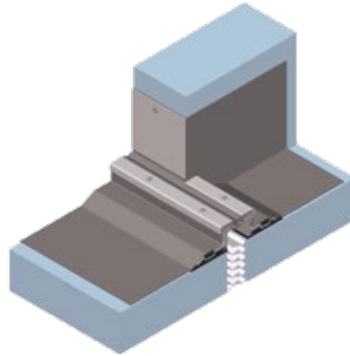
P 1 right  
(bracket on site)



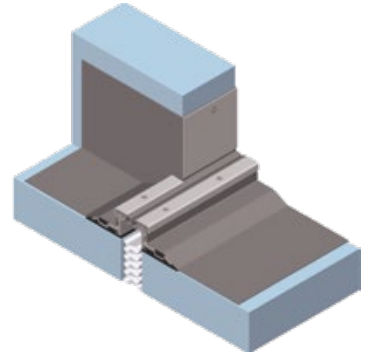
P 1 left  
(bracket on site)



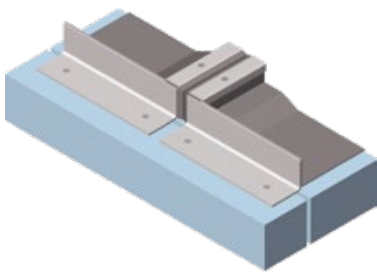
Q right



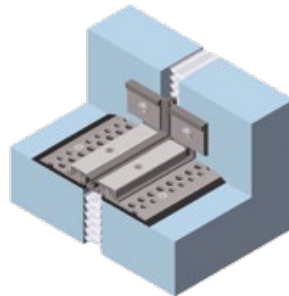
Q left



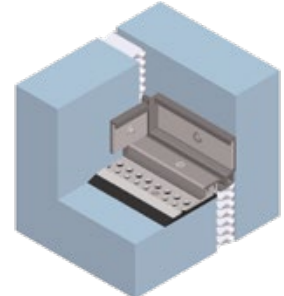
R



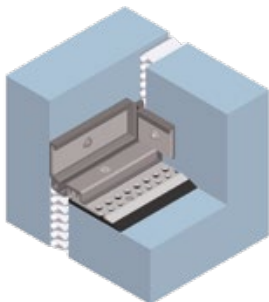
S



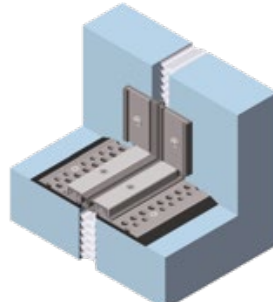
T right



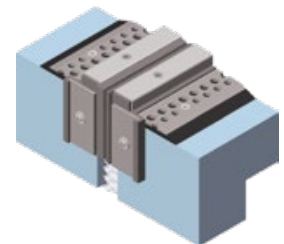
T left



U

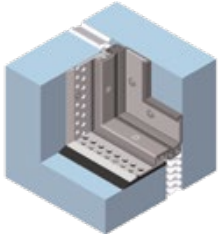


U 1

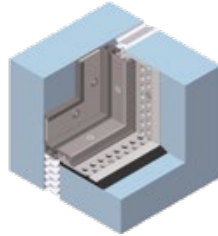


## MOULDED PARTS

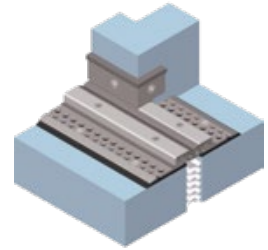
V right



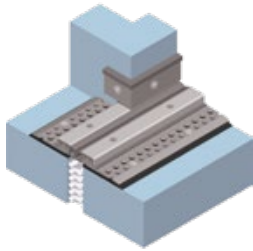
V left



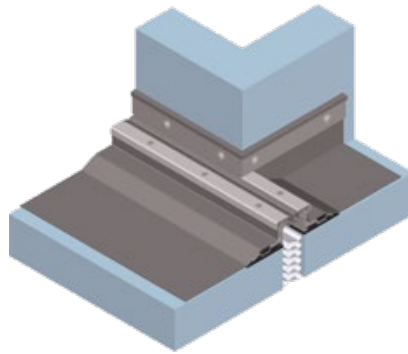
W right



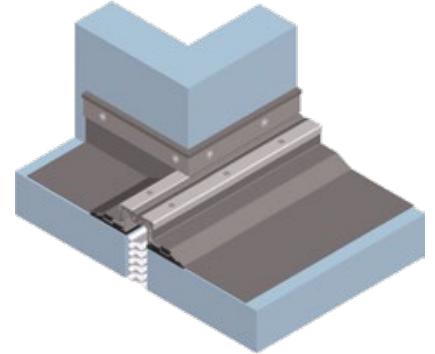
W left



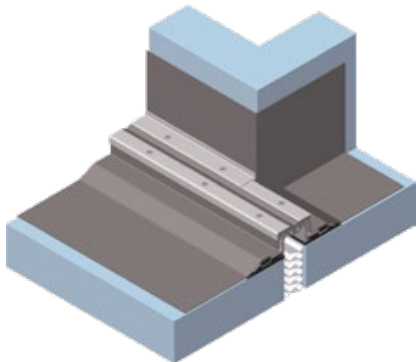
W 1 right



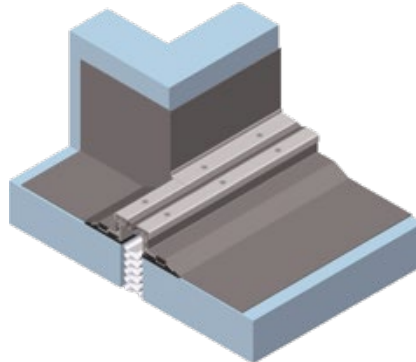
W 1 left



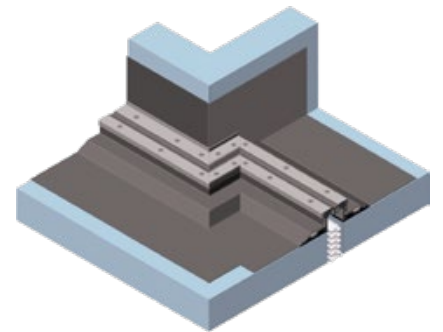
W 2 right



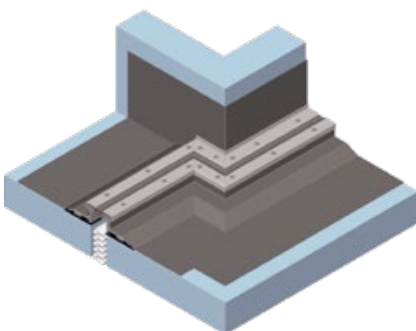
W 2 left



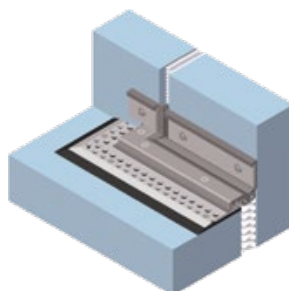
W 3 right



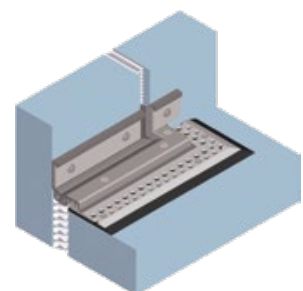
W 3 left



X right

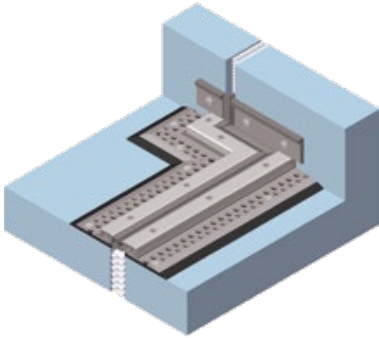


X left

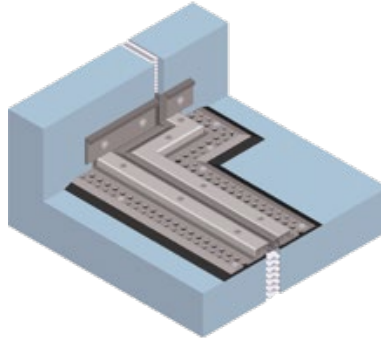


## MOULDED PARTS

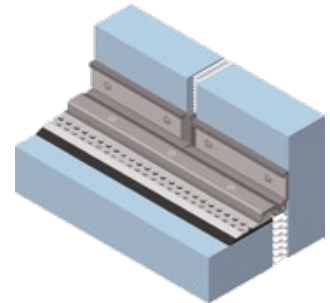
X 1 right



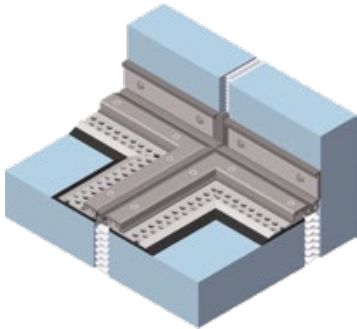
X 1 left



Y



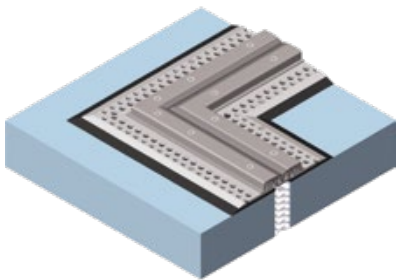
Z



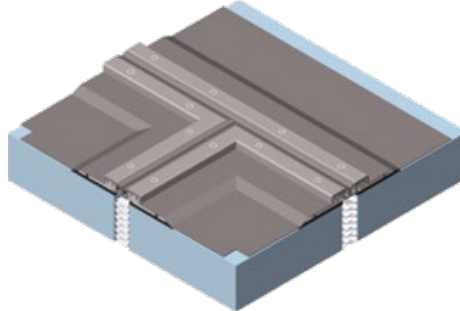
The represented intersections A–Z show a selection of the intersections that are possible. We are able to offer all kinds of intersections and connections, and even make the most complicated joint watertight.

## STANDARD INTERSECTIONS

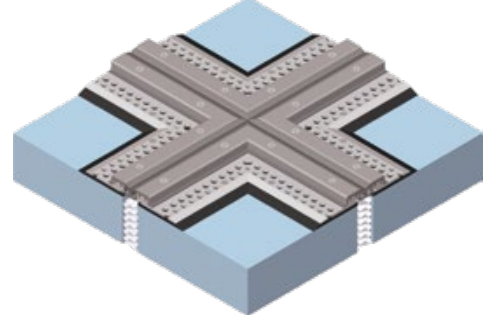
Angle, flat short AAS sheets



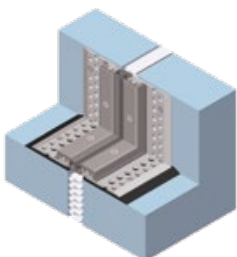
T-piece long AAS sheets



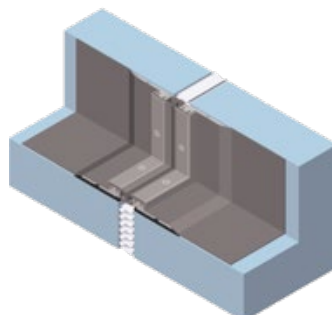
Crosspiece short AAS sheets



Upturn short AAS sheets



Upturn long AAS sheets



Slope end point

