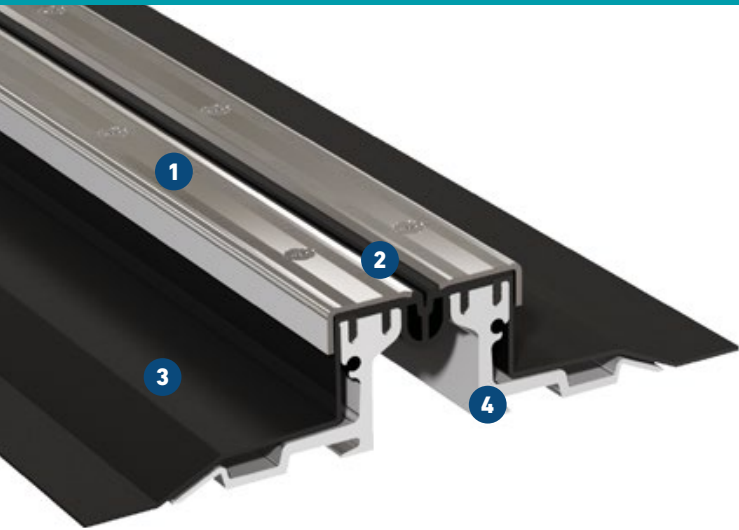


FP 80 NI ls

FOR BITUMINOUS SEALING LAYER (LONG AAS SHEETS)

MIGUTAN

WATERTIGHT EXPANSION JOINT SOLUTIONS



Official test certificates for watertightness available
Central insert with double-web to provide multilayered protection

- 1 Striated stainless steel cappings ensures good skid resistance**
100% watertight by max. pressure
- 2 Central insert on top surface**
Visual inspection and replacement without disrupting the surface
- 3 Long AAS sheets on both sides with striations**
Best possible connection with the sealing layer
- 4 Mounting brackets are made of high strength aluminium**
High loads without any risk of rust



Fire tested Bfl-s1
(flame retardant)
acc. to DIN EN 13501-1

Expansion joint cover	Joint width max. $b_f \text{ max}$ [mm]	Total movement Δb_f [mm]	Visible width b_s [mm]	Joint width total b_t [mm]	Joint height h [mm]	Load bearing capacity [kN]	Load bearing capacity [kN]	Load bearing capacity [kN]	Load bearing capacity solid plastic tyres [kg/mm]
FP 80/25 NI ls	45	20 (± 10)	82	209	25				
FP 80/35 NI ls	45	20 (± 10)	82	209	35	35	600	130	6,5
FP 80/45 NI ls	45	20 (± 10)	82	198	46	35	300	70	
FP 80/60 NI ls	45	20 (± 10)	82	209	60	35	300	30	
FP 80/80 NI ls	45	20 (± 10)	82	209	81	35	120	30	
FP 80/95 NI ls	45	20 (± 10)	82	209	97	35	60		
FP 80/115 NI ls	45	20 (± 10)	82	209	117	35	60		

Sealing against nonpressurized water.

Expansion joints with an installation height from 60 mm upwards can be adjusted to higher load capacity. Please ask for our advice.

