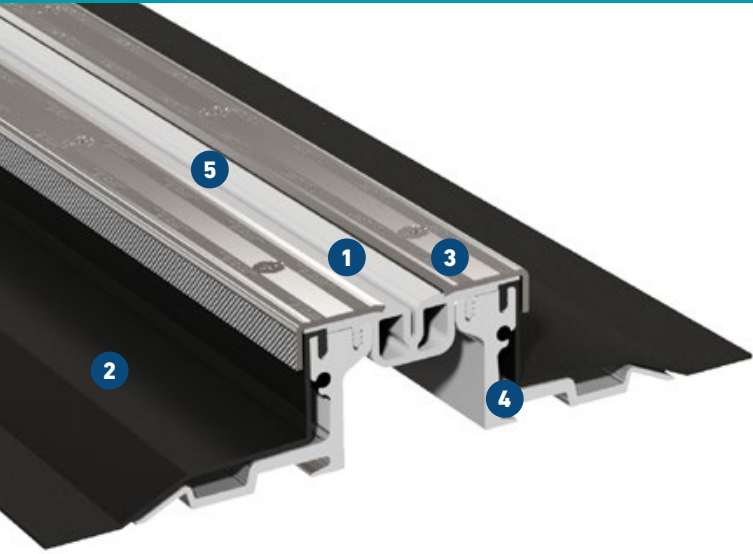


# FP 90 NI ls

FOR BITUMINOUS SEALING LAYER (LONG AAS SHEETS)

# MIGUTAN

WATERTIGHT EXPANSION JOINT SOLUTIONS



**Official test certificates for watertightness available**  
Central insert with double-web to provide multilayered protection

- 1 Central insert on top surface**  
Visual inspection and replacement without disrupting the surface
- 2 Striated stainless steel cappings ensures good skid resistance**  
100% watertight by max. pressure
- 3 Long AAS sheets on both sides with striations**  
Best possible connection with the sealing layer
- 4 Mounting brackets are made of high strength aluminium**  
High loads without any risk of rust
- 5 New: With grey insert**  
to perfectly match the adjacent covering



Fire tested Bfl-s1  
(flame retardant)  
acc. to DIN EN 13501-1

Expansion joint cover	Joint width max.	Total movement	Visible width	Joint width total	Joint height	Load bearing capacity	Load bearing capacity	Load bearing capacity	Load bearing capacity
	$b_f \text{ max}$ [mm]								
FP 90/25 NI ls	60	40 (±20)	95	222	25				
FP 90/35 NI ls	60	40 (±20)	95	222	35	35	600	130	
FP 90/45 NI ls	60	40 (±20)	95	211	46	35	300	70	
FP 90/60 NI ls	60	40 (±20)	95	222	60	35	300	30	
FP 90/80 NI ls	60	40 (±20)	95	222	81	35	120	30	
FP 90/95 NI ls	60	40 (±20)	95	222	97	35	60		
FP 90/115 NI ls	60	40 (±20)	95	222	117	35	60		

Sealing against nonpressurized water.

Expansion joints with an installation height from 60 mm upwards can be adjusted to higher load capacity. Please ask for our advice.

