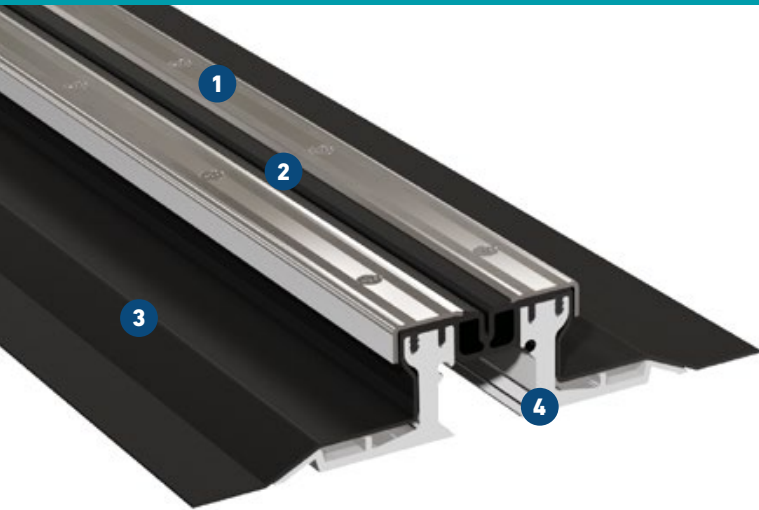


# FP(G) .../60 S NI ls

FOR BITUMINOUS SEALING LAYER (LONG AAS SHEETS). HEAVY DUTY

# MIGUTAN

WATERTIGHT EXPANSION JOINT SOLUTIONS



- 1 Striated stainless steel cappings ensures good skid resistance**  
100% watertight by max. pressure
- 2 Central insert on top surface**  
Visual inspection and replacement without disrupting the surface
- 3 Long AAS sheets on both sides with striations**  
Best possible connection with the sealing layer
- 4 Mounting brackets are made of high strength aluminium**  
High loads without any risk of rust

**Official test certificates for watertightness available**  
Central insert with double-web to provide multilayered protection



Fire tested Bfl-s1  
(flame retardant)  
acc. to DIN EN 13501-1

Expansion joint cover	Joint width max. $b_f \text{ max}$ [mm]	Total movement $\Delta b_f$ [mm]	Visible width $b_s$ [mm]	Joint width total $b_t$ [mm]	Joint height $h$ [mm]	Load bearing capacity  [kN]	Load bearing capacity  [kN]	Load bearing capacity  [kN]	Load bearing capacity  solid plastic tyres [kg/mm]
FP 80/60 S NI ls	35	20 ( $\pm 10$ )	82	201	60	35	600	130	6,5
FPG 80/60 S NI ls	35	16 ( $\pm 8$ )	82	201	60	35	600	130	6,5
FP 90/60 S NI ls	50	40 ( $\pm 20$ )	95	214	60	35	600	130	
FPG 90/60 S NI ls	50	20 ( $\pm 10$ )	95	214	60	35	600	130	4,3
FP 110/60 S NI ls	65	60 ( $\pm 30$ )	111	230	60	35	600	130	
FPG 110/60 S NI ls	65	40 ( $\pm 20$ )	111	230	60	35	600	130	
FP 130/60 S NI ls*	90	90 ( $\pm 45$ )	133	252	60	35	600	130	
FP 155/60 S NI ls*	110	120 ( $\pm 60$ )	155	274	60	35	300	70	

Sealing against nonpressurized water.

\* Fire resistance test does not apply to FP 130/60 S NI ls and FP 155/60 S NI ls

