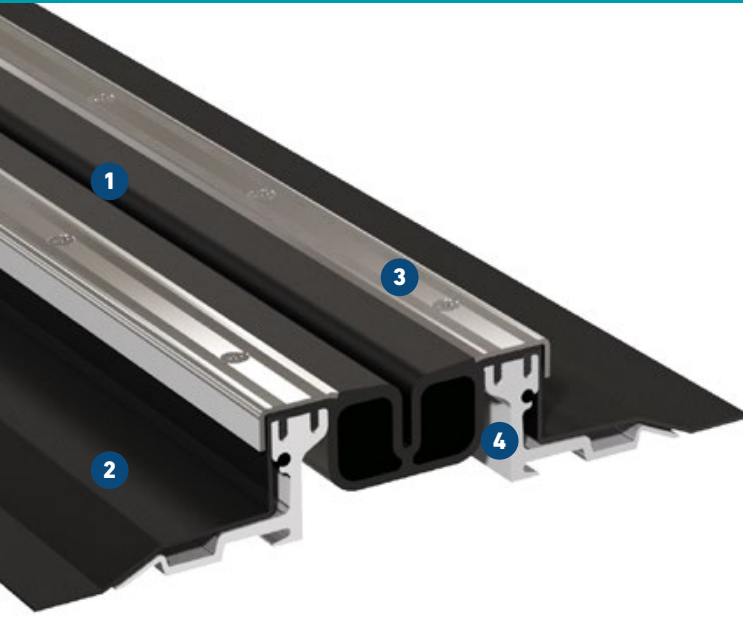


FP 130 NI ls

FOR BITUMINOUS SEALING LAYER (LONG AAS SHEETS)

MIGUTAN

WATERTIGHT EXPANSION JOINT SOLUTIONS



Central insert on top surface

Visual inspection and replacement without disrupting the surface

- 1 Striated stainless steel cappings ensures good skid resistance**
100% watertight by max. pressure
- 2 Long AAS sheets on both sides with striations**
Best possible connection with the sealing layer
- 3 Mounting brackets are made of high strength aluminium**
High loads without any risk of rust
- 4 Official test certificates for watertightness available**
Central insert with double-web to provide multilayered protection



Fire tested Bfl-s1
(flame retardant)
acc. to DIN EN 13501-1

Expansion joint cover	Joint width max.	Total movement	Visible width	Joint width total	Joint height	Load bearing capacity	Load bearing capacity	Load bearing capacity	Load bearing capacity
	b_f max [mm]								
FP 130/25 NI ls *	100	90 (±45)	133	260	25				
FP 130/35 NI ls *	100	90 (±45)	133	260	35	35	600	130	
FP 130/45 NI ls	100	90 (±45)	133	249	46	35	90	70	
FP 130/60 NI ls	100	90 (±45)	133	260	60	35	60	35	
FP 130/80 NI ls	100	90 (±45)	133	260	81	35	60	35	
FP 130/95 NI ls	100	90 (±45)	133	260	97	35			
FP 130/115 NI ls	100	90 (±45)	133	260	117	35			

* Minimum joint width 75 mm.

Sealing against nonpressurized water.

Expansion joints with an installation height from 60 mm upwards can be adjusted to higher load capacity. Please ask for our advice.

