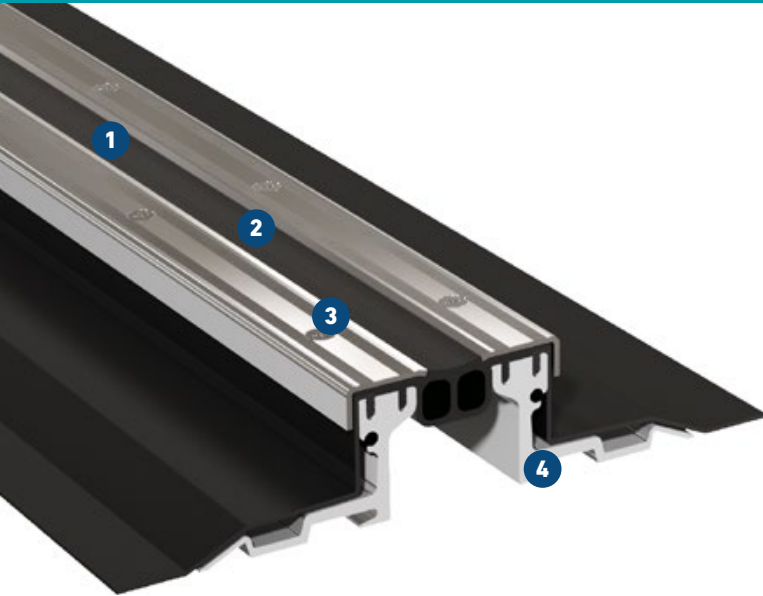


# FPG 90 NI ls

FOR BITUMINOUS SEALING LAYER (LONG AAS SHEETS). SMOOTH INSERT

# MIGUTAN

WATERTIGHT EXPANSION JOINT SOLUTIONS



- 1 Smooth central insert for increased hygienic requirements**  
Antibacterial and physiologically safe
  - 2 Central insert on top surface**  
Visual inspection and replacement without disrupting the surface
  - 3 Striated stainless steel cappings ensures good skid resistance**  
100% watertight by max. pressure
  - 4 Mounting brackets are made of high strength aluminium**  
High loads without any risk of rust
- Official test certificates for watertightness available**  
Central insert with double-web to provide multilayered protection



Fire tested Bfl-s1  
(flame retardant)  
acc. to DIN EN 13501-1

Expansion joint cover	Joint width max. $b_f \text{ max}$ [mm]	Total movement $\Delta b_f$ [mm]	Visible width $b_s$ [mm]	Joint width total $b_t$ [mm]	Joint height $h$ [mm]	Load bearing capacity  [kN]	Load bearing capacity  [kN]	Load bearing capacity  [kN]	Load bearing capacity  solid plastic tyres [kg/mm]
FPG 90/25 NI ls	60	20 ( $\pm 10$ )	95	222	25				
FPG 90/35 NI ls	60	20 ( $\pm 10$ )	95	222	35	35	600	130	4,3
FPG 90/45 NI ls	60	20 ( $\pm 10$ )	95	211	46	35	300	70	
FPG 90/60 NI ls	60	20 ( $\pm 10$ )	95	222	60	35	300	30	
FPG 90/80 NI ls	60	20 ( $\pm 10$ )	95	222	81	35	120	30	
FPG 90/95 NI ls	60	20 ( $\pm 10$ )	95	222	97	35	60		
FPG 90/115 NI ls	60	20 ( $\pm 10$ )	95	222	117	35	60		

Sealing against nonpressurized water.

Expansion joints with an installation height from 60 mm upwards can be adjusted to higher load capacity. Please ask for our advice.

