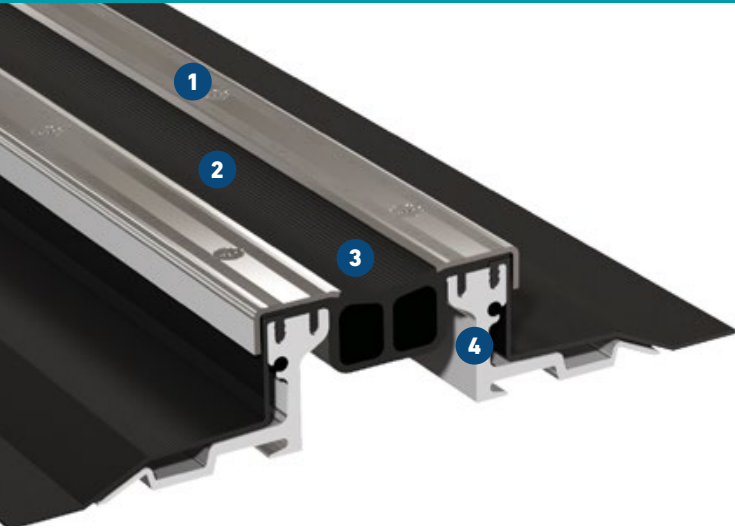


FPG 110 NI ls

FOR BITUMINOUS SEALING LAYER (LONG AAS SHEETS). SMOOTH INSERT

MIGUTAN

WATERTIGHT EXPANSION JOINT SOLUTIONS



- 1 Striated stainless steel cappings ensures good skid resistance**
100% watertight by max. pressure
- 2 Smooth central insert for increased hygienic requirements**
Antibacterial and physiologically safe
- 3 Central insert on top surface**
Visual inspection and replacement without disrupting the surface
- 4 Mounting brackets are made of high strength aluminium**
High loads without any risk of rust

Official test certificates for watertightness available
Central insert with double-web to provide multilayered protection



Fire tested Bfl-s1
(flame retardant)
acc. to DIN EN 13501-1

Expansion joint cover	Joint width max. b_f max [mm]	Total movement Δb_f [mm]	Visible width b_s [mm]	Joint width total b_t [mm]	Joint height h [mm]	Load bearing capacity [kN]	Load bearing capacity [kN]	Load bearing capacity [kN]	Load bearing capacity solid plastic tyres [kg/mm]
FPG 110/25 NI ls *	75	40 (±20)	111	238	25				
FPG 110/35 NI ls	75	40 (±20)	111	238	35	35	600	130	
FPG 110/45 NI ls	75	40 (±20)	111	227	46	35	300	70	
FPG 110/60 NI ls	75	40 (±20)	111	238	60	35	300	30	
FPG 110/80 NI ls	75	40 (±20)	111	238	81	35	120	30	
FPG 110/95 NI ls	75	40 (±20)	111	238	97	35	60		
FPG 110/115 NI ls	75	40 (±20)	111	238	117	35	60		

* Minimum joint width 50 mm.

Sealing against nonpressurized water.

Expansion joints with an installation height from 60 mm upwards can be adjusted to higher load capacity. Please ask for our advice.

