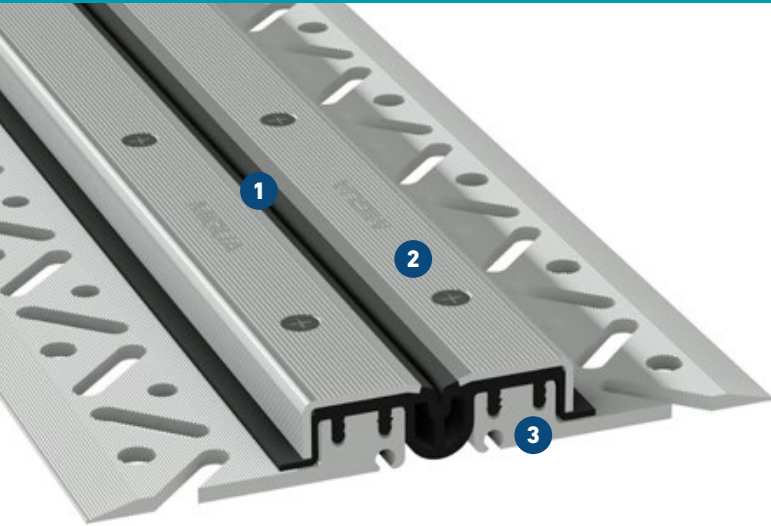


# FP 80 NI ss

FOR FLOORS WITH COATING SYSTEMS (SHORT AAS SHEETS)

# MIGUTAN

WATERTIGHT EXPANSION JOINT SOLUTIONS



**Official test certificates for watertightness available**  
Central insert with double-web to provide multilayered protection

- 1 Central insert on top surface**  
Visual inspection and replacement without disrupting the surface
- 2 Striated stainless steel cappings ensures good skid resistance**  
100% watertight by max. pressure
- 3 Connection joint with connection joint filler cover AAP 50/20**  
Proper and economical connection of the coating system

**Mounting brackets are made of high strength aluminium**  
High loads without any risk of rust



Fire tested Bfl-s1  
(flame retardant)  
acc. to DIN EN 13501-1

Expansion joint cover	Joint width max. $b_f \text{ max}$ [mm]	Total movement $\Delta b_f$ [mm]	Visible width $b_s$ [mm]	Joint width total $b_t$ [mm]	Joint height $h$ [mm]	Load bearing capacity  [kN]	Load bearing capacity  [kN]	Load bearing capacity  [kN]	Load bearing capacity  solid plastic tyres [kg/mm]
FP 80/25 NI ss	45	20 ( $\pm 10$ )	82	209	25	35	600	130	6,5
FP 80/35 NI ss	45	20 ( $\pm 10$ )	82	209	35	35	600	130	6,5
FP 80/45 NI ss	45	20 ( $\pm 10$ )	82	198	46	35	300	70	
FP 80/60 NI ss	45	20 ( $\pm 10$ )	82	209	60	35	300	30	
FP 80/80 NI ss	45	20 ( $\pm 10$ )	82	209	81	35	120	30	
FP 80/95 NI ss	45	20 ( $\pm 10$ )	82	209	97	35	60		
FP 80/115 NI ss	45	20 ( $\pm 10$ )	82	209	117	35	60		

Sealing against nonpressurized water.

Expansion joints with an installation height from 60 mm upwards can be adjusted to higher load capacity. Please ask for our advice.

