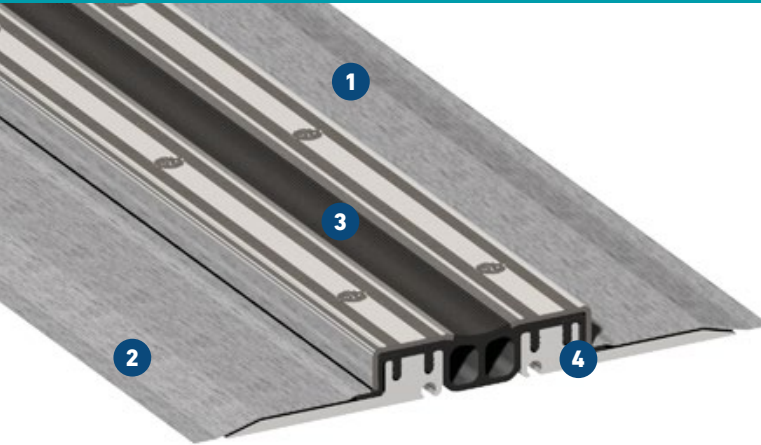


FP(G) .../... NI XA

FOR FLEXIBLE WATERPROOFING SLURRY / LIQUID MEMBRANE UNDERNEATH CERAMIC TILES

MIGUTAN

WATERTIGHT EXPANSION JOINT SOLUTIONS



- 1 Striated stainless steel cappings ensures good skid resistance**
100% watertight by max. pressure
- 2 Further development for liquid membranes/waterproofing slurry**
Fibre fabric bonded sheets for excellent bonding properties
- 3 Central insert on top surface**
Visual inspection and replacement without disrupting the surface
- 4 Mounting brackets are made of high strength aluminium**
High loads without any risk of rust



Fire tested Bfl-s1
(flame retardant)
acc. to DIN EN 13501-1

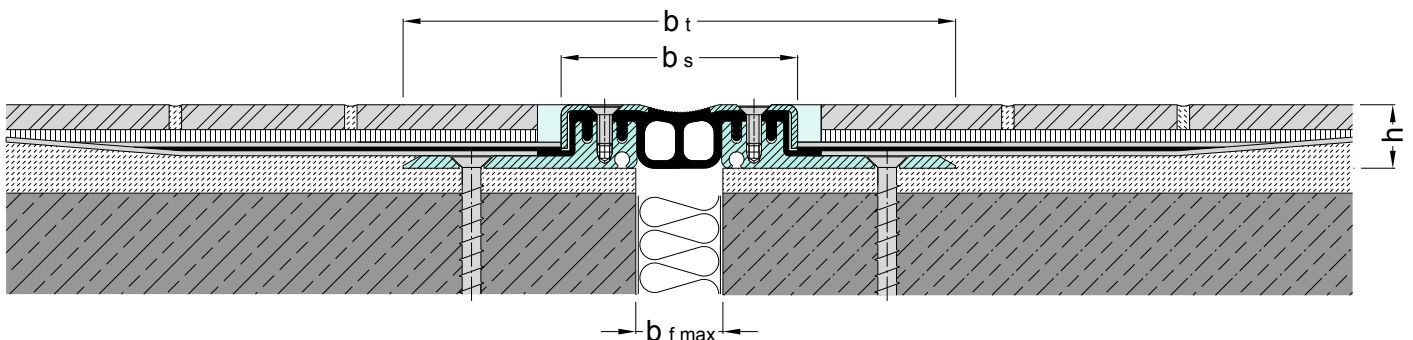
Expansion joint cover	Joint width max. $b_f \text{ max}$ [mm]	Total movement Δb_f [mm]	Visible width b_s [mm]	Joint width total b_t [mm]	Joint height h [mm]	Load bearing capacity [kN]	Load bearing capacity [kN]	Load bearing capacity [kN]	Load bearing capacity solid plastic tyres [kg/mm]
FP 80/... NI XA	45	20 (± 10)	82						
FPG 80/... NI XA	45	16 (± 8)	82						
FP 90/... NI XA	60	40 (± 20)	95						
FPG 90/... NI XA	60	20 (± 10)	95						
FP 110/... NI XA	75	60 (± 30)	111						
FPG 110/... NI XA	75	40 (± 20)	111						
FP 130/... NI XA*	100	90 (± 45)	133						
FP 155/... NI XA*	120	120 (± 60)	155						

* For load capacity of the expansion joint cover, please refer to the corresponding joint with short AAS sheets. Necessary minimum thickness of the connected materials has to be taken into account.

Sealing against nonpressurized water.

The connection of our fibre fabric bonded MIGUTRIX-sheets to the flexible waterproofing slurry / liquid membrane has to be tested for each application.

* Fire resistance test does not apply to FP 130/... NI XA and FP 155/... NI XA



MIGUTAN expansion joint system in conjunction with liquid processed sealing with expansion joint FPG 90/25 NI with MIGUTRIX XA foil