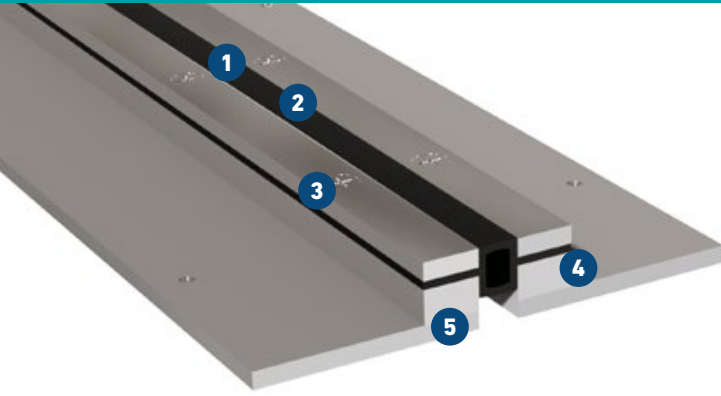


# FPSG 68 ES

FOR FLOORS WITH COATING SYSTEMS (SHORT AAS SHEETS). SMOOTH INSERT

# MIGUTAN

WATERTIGHT EXPANSION JOINT SOLUTIONS

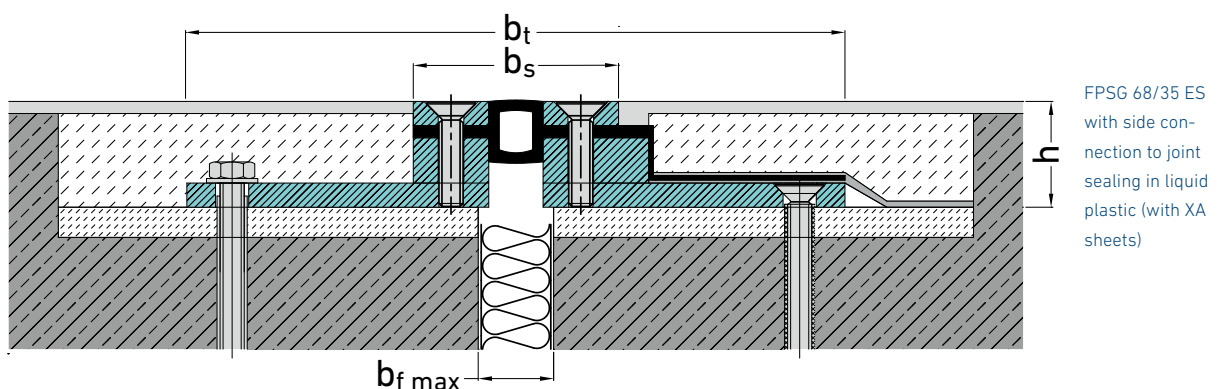


- 1 Smooth central insert for increased hygienic requirements**  
Antibacterial and physiologically safe
- 2 Central insert on top surface**  
Visual inspection and replacement without disrupting the surface
- 3 100% watertight**  
In connection with a coating system and a connection joint
- 4 Solid metal design**  
High load capacity (Heavy duty) up to 600 kN
- 5 Flexible use**  
Sub-construction can be adapted acc. to requirements

Expansion joint cover	Joint width max.	Total movement	Visible width	Joint width total	Joint height	Load bearing capacity	Load bearing capacity	Load bearing capacity	Load bearing capacity
	$b_f \text{ max}$ [mm]	$\Delta b_f$ [mm]	$b_s$ [mm]	$b_t$ [mm]	$h$ [mm]	[kN]	[kN]	[kN]	solid plastic tyres [kg/mm]
FPSG 68/25 ES	25	10 (±5)	68	218	25	35	600	130	12,5
FPSG 68/30 ES	25	10 (±5)	68	218	30	35	600	130	12,5
FPSG 68/35 ES	25	10 (±5)	68	218	35	35	600	130	12,5
FPSG 68/40 ES	25	10 (±5)	68	218	40	35	600	130	12,5

**Production length:** 1,98 m

Intersections and end pieces can be manufactured according to your requirements. The installation should be done by experienced companies. Variations on request. The system can be installed with and without connection joint. With connection joint and combined with a coating system 100% watertightness is possible. Material: medium-affected: alloy 304 or 316 Ti Sub-construction: on request



FPSG 68/35 without side connection to joint

FPSG 68/35 ES with side connection to joint sealing in liquid plastic (with XA sheets)