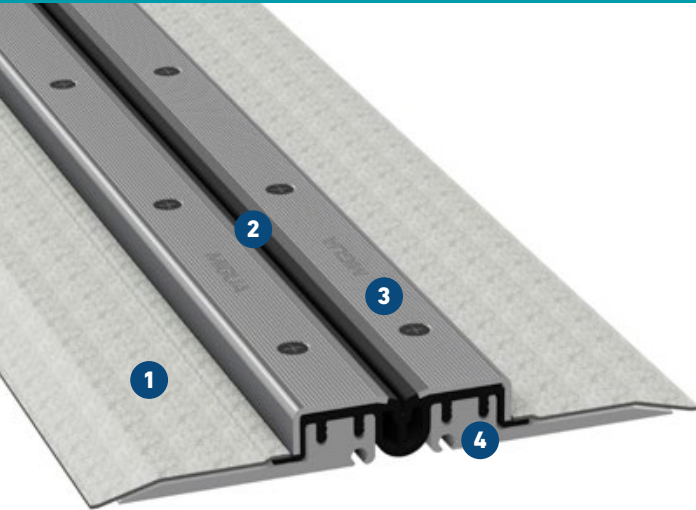


FP 80 NI XA

FOR BITUMINOUS SEALING LAYER (LONG AAS SHEETS)

MIGUTAN

WATERTIGHT EXPANSION JOINT SOLUTIONS



Official test certificates for watertightness available

Central insert with double-web to provide multilayered protection

- 1 Striated stainless steel cappings ensures good skid resistance**
100% watertight by max. pressure
- 2 Central insert on top surface**
Visual inspection and replacement without disrupting the surface
- 3 Long AAS sheets on both sides with striations**
Best possible connection with the sealing layer
- 4 Mounting brackets are made of high strength aluminium**
High loads without any risk of rust

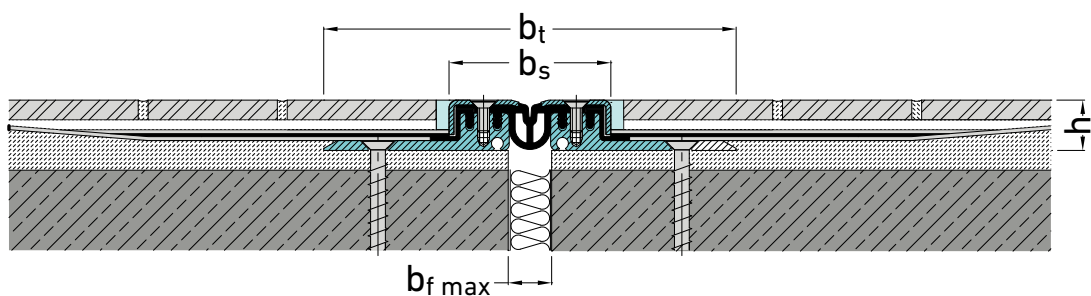


Fire tested Bfl-s1
(flame retardant)
acc. to DIN EN 13501-1

Expansion joint cover	Joint width max.	Total movement	Visible width	Joint width total	Joint height	Load bearing capacity	Load bearing capacity	Load bearing capacity	Load bearing capacity
	$b_f \text{ max}$ [mm]	Δb_f [mm]	b_s [mm]	b_t [mm]	h [mm]	[kN]	[kN]	[kN]	solid plastic tyres [kg/mm]
FP 80/25 NI XA	45	20 (±10)	82	209	25	35	600	130	6,5
FP 80/35 NI XA	45	20 (±10)	82	209	35	35	600	130	6,5
FP 80/45 NI XA	45	20 (±10)	82	198	46	35	300	70	
FP 80/60 NI XA	45	20 (±10)	82	209	60	35	300	30	
FP 80/80 NI XA	45	20 (±10)	82	209	81	35	120	30	
FP 80/95 NI XA	45	20 (±10)	82	209	97	35	60		
FP 80/115 NI XA	45	20 (±10)	82	209	117	35	60		

Sealing against nonpressurized water.

Expansion joints with an installation height from 60 mm upwards can be adjusted to higher load capacity. Please ask for our advice.



you FIRST. **MIGUA**®