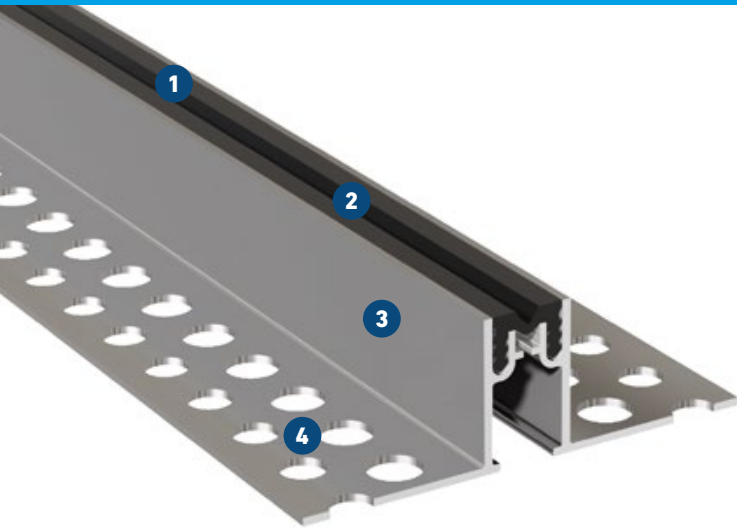


# FL 21



FOR FLOORS AND WALLS.

# MIGUTEC

JOINT COVERS FOR EXPANSION JOINTS



- 1 Flexible high quality elastomeric insert**  
Hard wearing, temperature resistant (-30°C to +120°C), replaceable
- 2 Multi directional movement**  
Quick and easy installation
- 3 Solid, but light aluminium brackets for quick installation**  
in screed or tiled floorings
- 4 MultiHole mounting bracket**  
for secure fixing

Expansion joint cover	Joint width	Total movement	Visible width	Joint width total	Joint height	Load bearing capacity  [kN]	Load bearing capacity*  [kN]
	$b_f \text{ max}$ [mm]	$\Delta b_f$ [mm]	$b_s$ [mm]	$b_t$ [mm]	$h$ [mm]		
FL 21/20	20	5(+3/-2)	21	80	20	30	30
FL 21/35	20	5(+3/-2)	21	107	35	30	30
FL 21/50	20	5(+3/-2)	21	107	50	30	30

\* no continuous use

All information on load bearing capacity does only apply to non-floating floors.  
For installation in asphalt, please ask for our technical advice.

**Production length:** 4 m

**Standard colors:** black, grey

