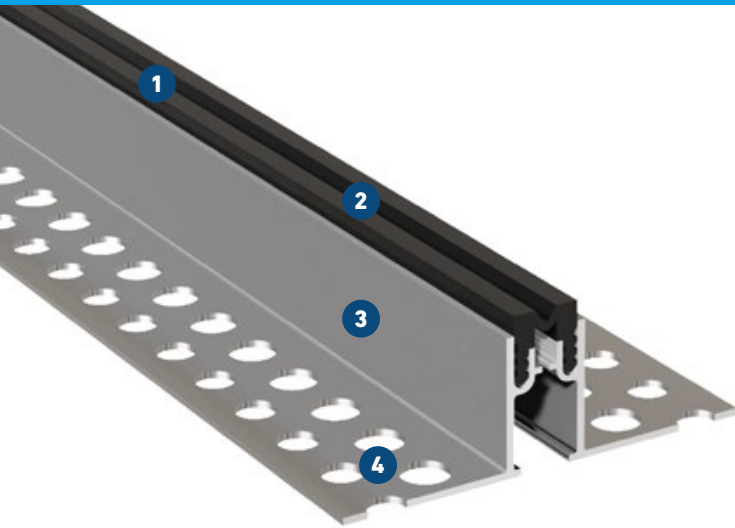


FLT 21

FOR FLOORS WITH CARPET

MIGUTEC

JOINT COVERS FOR EXPANSION JOINTS



- 1 Flexible high quality elastomeric insert**
Hard wearing, temperature resistant (-30°C to +120°C), replaceable
- 2 Multi directional movement**
- 3 Quick and easy installation**
Solid, but light aluminium brackets for quick installation in floorings with carpet or rubber coverings (insert with 5 mm upstand, weldable)
- 4 MultiHole mounting bracket**
for secure fixing

Expansion joint cover	Joint width	Total movement	Visible width	Joint width total	Joint height	for coverings	Load bearing capacity	Load bearing capacity*
	$b_f \text{ max}$ [mm]	Δb_f [mm]	b_s [mm]	b_t [mm]	h [mm]	thickness [mm]	 [kN]	 [kN]
FLT 21/20	20	5(+3/-2)	17	80	20	5	30	30
FLT 21/35	20	5(+3/-2)	17	107	35	5	30	30
FLT 21/50	20	5(+3/-2)	17	107	50	5	30	30

* no continuous use

All information on load bearing capacity does only apply to non-floating floors.

For installation in asphalt, please ask for our technical advice.

Expansion joint covers of series FLT 21 are supplied with flush mounted distance insert of FL 21. The top edge of the aluminium joint cover can be used as a screeding guide. The distance insert protects the joint cover until covering is laid. This method avoids damage caused by site traffic.

Production length: 4 m

Standard colors: black, grey

