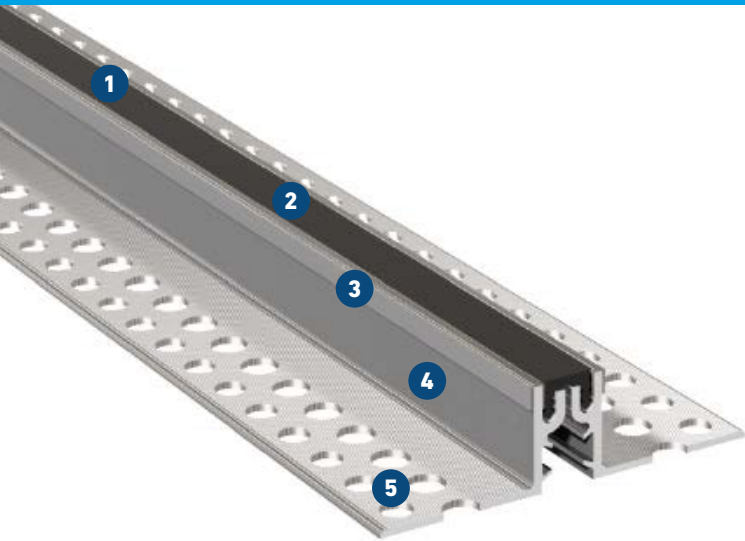


FPG 26 NI

FOR FLOORS WITH HYGIENIC REQUIREMENTS, WITH CAPPINGS MADE OF STAINLESS STEEL

MIGUTEK

JOINT COVERS FOR EXPANSION JOINTS



- 1 Flexible high quality elastomeric insert**
Hard wearing, temperature resistant (-30°C to +120°C), replaceable
- 2 Smooth visible surface for easy cleaning**
Antibacterial and physiologically safe
- 3 Visible surface stainless steel**
- 4 High load capacity due to sturdy construction**
Solid aluminium brackets
- 5 MultiHole mounting bracket**
for secure fixing

Expansion joint cover	Joint width $b_f \text{ max}$ [mm]	Total movement Δb_f [mm]	Visible width b_s [mm]	Joint width total b_t [mm]	Joint height h [mm]	Load bearing capacity* [kN]	Load bearing capacity [kN]	Load bearing capacity solid plastic tyres [kg/mm]
FPG 26 NI	20	2 (± 1)	27	128	35	300	70	5

All information on load bearing capacity does only apply to non-floating floors.
For installation in asphalt, please ask for our technical advice.

Production length: 4 m

Standard colors: black, grey

