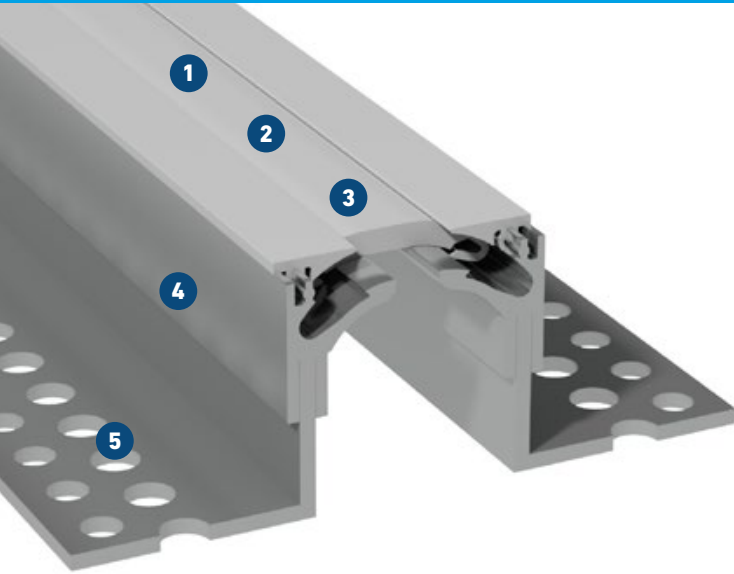


FGH 2.0



EXPANSION JOINT COVERS WITH HYGIENIC REQUIREMENTS

MIGUTEC

JOINT COVERS FOR EXPANSION JOINTS



- 1 Ultra-smooth insert for residue-free cleaning**
Ensures optimal sterility and is physiologically safe
- 2 Seamless, symmetrical visible surface**
Hard-wear special insert for smoother, low-noise transit
- 3 New: Innovative clip design**
Insert is fully replaceable over entire length of expansion joint cover
- 4 Secure fixing due to MultiHole mounting bracket**
Flexible anchoring and excellent bond
- 5 Innovative solution**
Suitable for hospital-typical vehicles, such as hospital beds and food trolleys

Expansion joint cover	Joint width	Total movement	Visible width	Joint width total	Joint height	Load bearing capacity  [kN]	Load bearing capacity*  [kN]
	$b_f \text{ max}$ [mm]	Δb_f [mm]	b_s [mm]	b_t [mm]	h [mm]		
FGH2 65/30	50	20 (± 10)	65	148	30	30	
FGH2 65/38	50	20 (± 10)	65	148	38	30	
FGH2 65/50	50	20 (± 10)	65	171	50	30	
FGH2 65/60	50	20 (± 10)	65	171	60	30	
FGH2 65/70	50	20 (± 10)	65	171	70	30	

* no continuous use

All information on load bearing capacity does only apply to non-floating floors.

Standard colors: black, grey

Production length: 3 m

Larger installation heights on request.

