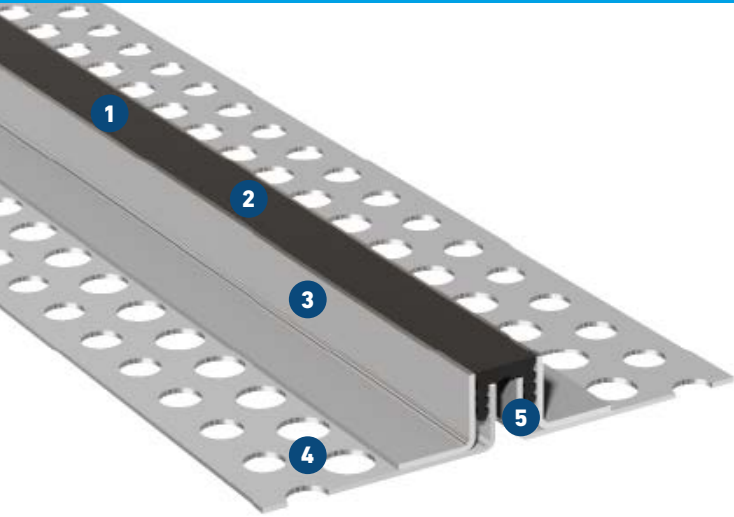


ESG 20

FOR FLOORS WITH HYGIENIC REQUIREMENTS, RESISTANT TO AGGRESSIVE FLUIDS

MIGUTEK

JOINT COVERS FOR EXPANSION JOINTS



- 1 Flexible high quality elastomeric insert**
Hard wearing, temperature resistant (-30°C to +120°C), replaceable
- 2 Smooth visible surface for easy cleaning**
Antibacterial and physiologically safe
- 3 Solid stainless steel brackets**
Resistant to aggressive media (e.g. sea water)
- 4 Secure fixing with MultiHole mounting bracket**
Firm bond and extraordinary gripping strength
- 5 Multi directional movement**
Expansion joint cover takes on settling

Expansion joint cover	Joint width b_f max [mm]	Total movement Δb_f [mm]	Visible width b_s [mm]	Joint width total b_t [mm]	Joint height h [mm]	Load bearing capacity*	
						[kN]	[kN]
ESG 20/20	20	2 (± 1)	20	126	20	30	30
ESG 20/35	20	2 (± 1)	20	95	35	30	30
ESG 20/40	20	2 (± 1)	20	95	40	30	30
ESG 20/50	20	2 (± 1)	20	95	50	30	30

No continuous use

Larger installation heights on request.

All info on load capacities apply to doweled, not to floating installation.

Material: 1.4301 (alloy 304)

Production length: 3 m (ESG 20/20: 2 m)

Standard colors: black, grey

Stainless steel: mill finish.

