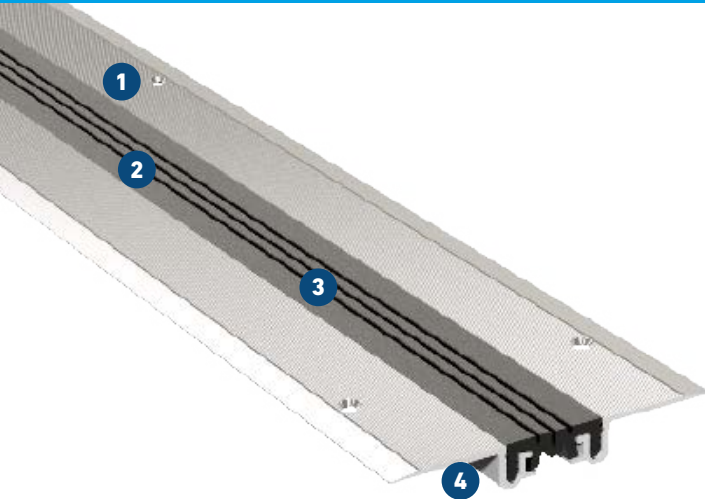


FN 41


FOR FLOORS – SURFACE FIXING

MIGUTEC

JOINT COVERS FOR EXPANSION JOINTS



- 1 Anti slip surface ensures good skid resistance**
Special striated surface, also suitable for sports areas
- 2 Flexible high quality elastomeric insert**
Hard wearing, temperature resistant (-30°C to +120°C)
- 3 Economical**
Insert replaceable at any time
- 4 Very flat design**
Perfect for surface fixing

Expansion joint cover	Total movement Δb_f [mm]	Joint width total b_t [mm]	Joint width required $b_{f \text{ min}}$ [mm]	Width of insert b_s [mm]	Installation height h [mm]	Thickness of alu side plates [mm]	Load bearing capacity 
FN 41	14 (± 7)	118	41	35	13	2	pedestrians

* Light vehicles on request.

Production length: 4 m

Standard colors: black, grey, beige, brown

