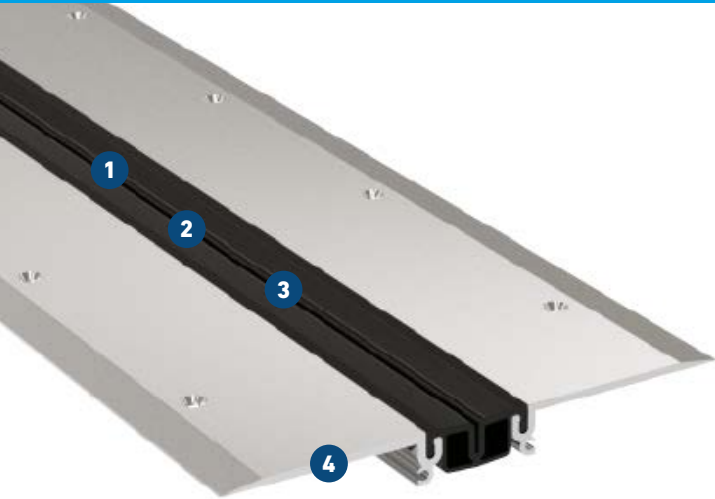


FN 110


FOR FLOORS – SURFACE FIXING

MIGUTEC

JOINT COVERS FOR EXPANSION JOINTS



- 1 Anti slip surface ensures good skid resistance**
Special striated surface, also suitable for sports areas
- 2 Flexible MIGUFLEX insert**
Hard wearing, temperature resistant (-30°C to +120°C)
- 3 Economical**
Insert replaceable at any time
- 4 Very flat design**
Perfect for surface fixing

Expansion joint cover	Total movement Δb_f [mm]	Joint width total b_t [mm]	Joint width required $b_f \text{ min}$ [mm]	Width of insert b_s [mm]	Installation height h [mm]	Thickness of alu side plates [mm]	Load bearing capacity  [kN]
FN 110	60 (±30)	311	75	64	40	6,3	35

Installation instructions: Any unevenness in the surface to which the joint cover is being fixed must be remedied by using an epoxy adhesive e.g. Reckli-Adhesive EP. Thereafter the aluminium brackets must be fixed on both sides with countersunk stainless steel screws e.g. Multi Monti type MMS-7,5 ES or similar, at 200 mm intervals.

Production length: 4 m

Standard colors: black

