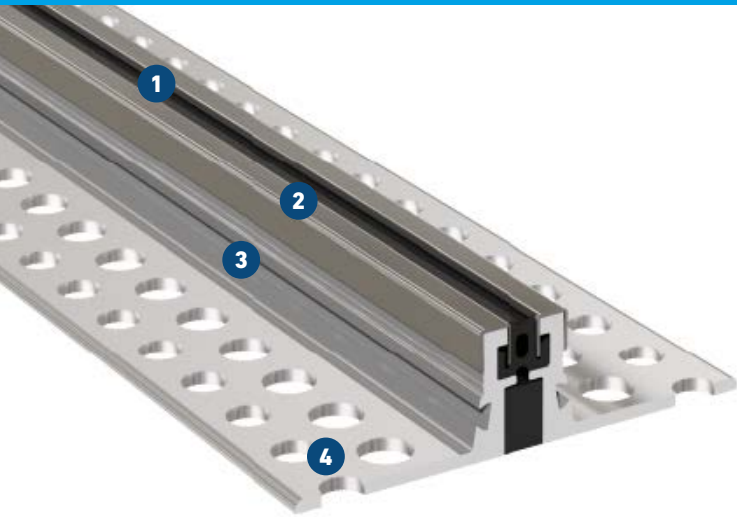


ESF 22 NI

WITH CAPPINGS MADE OF STAINLESS STEEL; FOR CONTRACTION JOINTS IN FLOORS WITH HIGH LOAD CAPACITY

MIGUTEC

JOINT COVERS FOR EXPANSION JOINTS



- 1 Flexible high quality elastomeric insert**
Hard wearing, temperature resistant (-30°C bis +120°C)
- 2 Visible surface stainless steel**
- 3 High load capacity**
Solid aluminium brackets, suitable for hard plastic tyres
- 4 MultiHole mounting brackets**
for secure fixing

Expansion joint cover	Joint width $b_f \text{ max}$ [mm]	Total movement Δb_f [mm]	Visible width b_s [mm]	Joint width total b_t [mm]	Joint height h [mm]	Load bearing capacity [kN]	Load bearing capacity [kN]	Load bearing capacity [kN]	Load bearing capacity solid plastic tyres [kg/mm]
ESF 22/18 NI	12	4 (±2)	22	110	18		600	130	11
ESF 22/30 NI	12	4 (±2)	22	110	30		600	130	11
ESF 22/45 NI	12	4 (±2)	22	110	45		600	130	11
ESF 22/60 NI	12	4 (±2)	22	110	60		600	130	11

All information on load bearing capacity does only apply to non-floating floors.

Production length: 4 m

Material visible cover: 1.4301

Standard colors: black, grey

