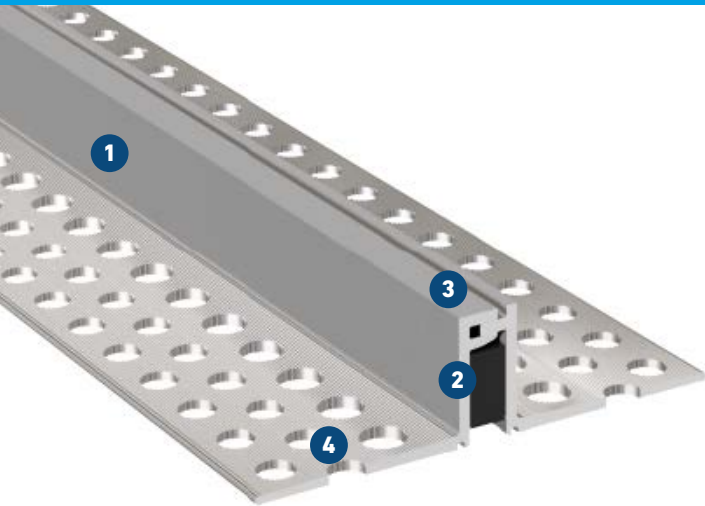


# ESF 16 AL

FOR CONTRACTION JOINTS IN FLOORS WITH HIGH LOAD CAPACITY

# MIGUTEC

JOINT COVERS FOR EXPANSION JOINTS



- 1 Solid all-metal expansion joint cover**  
Hard wearing, maintenance free, long lasting
- 2 Small visible surface**  
Slim design, visible width of cover 10 mm only
- 3 High load capacity**  
Solid aluminium brackets, suitable for hard plastic tyres
- 4 MultiHole mounting bracket**  
for secure fixing

Expansion joint cover	Joint width $b_f \text{ max}$ [mm]	Total movement $\Delta b_f$ [mm]	Visible width $b_s$ [mm]	Joint width total $b_t$ [mm]	Joint height $h$ [mm]	Load bearing capacity [kN]	Load bearing capacity [kN]	Load bearing capacity [kN]	Load bearing capacity solid plastic tyres [kg/mm]
ESF 16/35 AL	10	6 ( $\pm 3$ )	17	130	35		600	130	8
ESF 16/45 AL	10	6 ( $\pm 3$ )	17	130	45		600	130	8
ESF 16/60 AL	10	6 ( $\pm 3$ )	17	130	60		600	130	8

All information on load bearing capacity does only apply to non-floating floors.  
Larger installation heights on request.

**Production length:** 4 m

