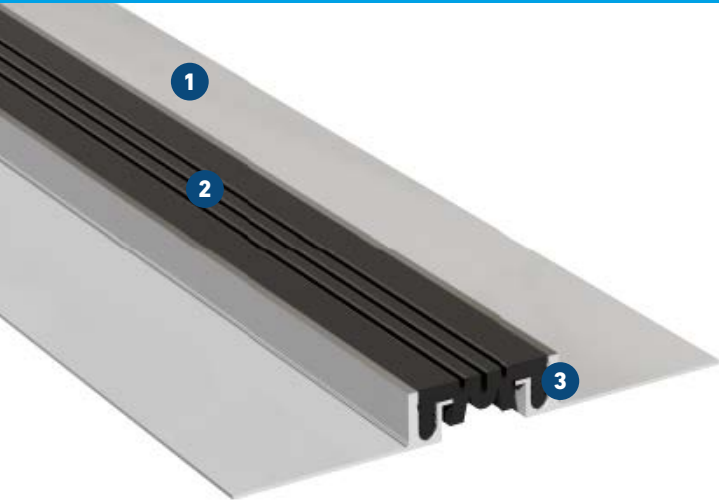


DF 35 / DF 41 / DF 50 / DF 58

FOR JOINTS IN WALLS OF SANDWICH TYPE PLASTERBOARD

MIGUTEC

JOINT COVERS FOR EXPANSION JOINTS



- 1 Easy installation**
by means of nail or screws
- 2 Flexible high quality elastomeric insert**
Hard wearing, temperature resistant (-30°C to +120°C), replaceable
- Same appearance of joints in floor and wall**
as the same type of insert is used for both applications by using inserts of series (FV 35 (DF 35) resp. FP 55 (DF50))
- 3 Solid all-metal expansion joint cover**
Hard wearing, maintenance-free, long lasting

Expansion joint cover	Joint width	Total movement	Visible width	Joint width total		Joint height	Thickness of sandwich type plasterboard
	$b_f \text{ max}$ [mm]			Δb_f [mm]	b_t [mm]		
DF 35	30	10 (± 5)	35	125	14	12,5	
DF 41	35	14 (± 7)	41	131	14	12,5	
DF 50	50	16 (± 8)	48	138	14	12,5	
DF 58	58	22 (± 11)	56	146	14	12,5	

Expansions joint covers are also available with smooth insert as DFG 35 (joint movement 6 mm \pm 3 mm), DFG 41 (joint movement 6 mm \pm 3 mm), DFG 50 (joint movement 8 mm \pm 4 mm).

This expansion joint cover DF 35 is to be combined with the floor joint FV35. Same applies to DF41 with FV41 and DF50 with FP55.

Production length: 3 m

Standard colours: Black, Grey, Beige. DF 35 also in Brown.

