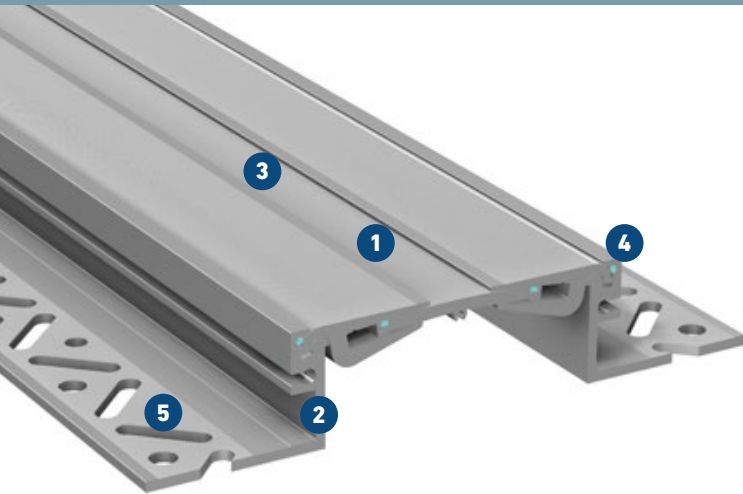


FSX 146

FOR FLOORS WITH LARGE MOVEMENT – TO BE USED BY PRIVAT CARS AND PEDESTRIANS

MIGUTRANS

HEAVY-DUTY ALL-METAL JOINT SOLUTIONS FOR LARGE TRAFFIC LOADS



- 1 New, improved design**
Innovative layout of the line
- 2 Solid all-metal expansion joint**
hard wearing, maintenance-free, long lasting
- 3 Striated surface**
ensures good skid resistance
- 4 Articulated telescoping system with optimized movement control**
absorbs movement in 3 directions, with improved shock absorbing elements
- 5 Punctured leg with MIGUA mounting matrix®**
Provides optimal anchoring alternatives in the underground

Now available Anodized!

For perfect match with interior design. Different colours can be combined. Color-fast and light resistant.

Expansion joint cover	Joint width max.	Total movement	Visible width	Joint width total	Joint height	Load bearing capacity	Load bearing capacity
	b_f [mm]						
FSX 146/22	117	50 (±25)	146	267	22	30	3,5
FSX 146/30	117	50 (±25)	146	267	30	30	3,5
FSX 146/40	117	50 (±25)	146	267	40	30	3,5
FSX 146/50	117	50 (±25)	146	267	50	30	3,5
FSX 146/60	117	50 (±25)	146	267	60	30	3,5
FSX 146/80	117	50 (±25)	146	267	80	30	3,5
FSX 146/100	117	50 (±25)	146	267	100	30	3,5

Production length: 4 m

Standard colour: Aluminium, available in anodized version, too

Further installation heights on request.

Applicable for anodized expansion joint covers:

By anodizing the surface is hardened, but scratches can not be ruled out under mechanical stress of the profiles.

Slight color and / or gloss deviations between different batches or deliveries do not constitute a reason for complaint.

The processing is carried out in accordance with DIN 17611 and the Qualanod (Quality Label for Sulphuric Acid-Based Anodizing of Aluminium) regulations for the anodization of aluminum.

The expansion joint covers must be cleaned and maintained in accordance with the specifications of the Qualanod and the leaflet A5 of the aluminum center.

We are happy to advise you.

Standard colors based on EURAS color fans:

 C 0 Nature  C 31 Light

 C 32 Light bronze

Other colors on request.

