

- 1 New, improved design**  
Innovative layout of the line
- 2 Solid all-metal expansion joint**  
hard wearing, maintenance-free, long lasting
- 3 Striated surface**  
ensures good skid resistance
- 4 Articulated telescoping system with optimized movement control**  
absorbs movement in 3 directions, with improved shock absorbing elements
- 5 Punctured leg with MIGUA mounting matrix®**  
Provides optimal anchoring alternatives in the underground

**Now available Anodized!**

For perfect match with interior design. Different colours can be combined. Color-fast and light resistant.

Expansion joint cover	Joint width max. $b_f$ [mm]	Total movement $\Delta b_f$ [mm]	Visible width $b_s$ [mm]	Joint width total $b_t$ [mm]	Joint height $h$ [mm]	Load bearing capacity [kN]	Load bearing capacity [kN]	Load bearing capacity solid plastic tyres [kg/mm]
FSX 160/22*	130	60 (±30)	162	283	22	300	100	10
FSX 160/30*	130	60 (±30)	162	283	30	300	100	10
FSX 160/40	130	60 (±30)	162	283	40	300	100	10
FSX 160/50	130	60 (±30)	162	283	50	300	100	10
FSX 160/60	130	60 (±30)	162	283	60	300	100	10
FSX 160/80	130	60 (±30)	162	283	80	300	100	10
FSX 160/100	130	60 (±30)	162	283	100	300	100	10

\* Minimum joint width 130 mm

Production length: 4 m

Standard colour: Aluminium, available in anodized version, too

Further installation heights on request.

**Applicable for anodized expansion joint covers:**

By anodizing the surface is hardened, but scratches can not be ruled out under mechanical stress of the profiles.

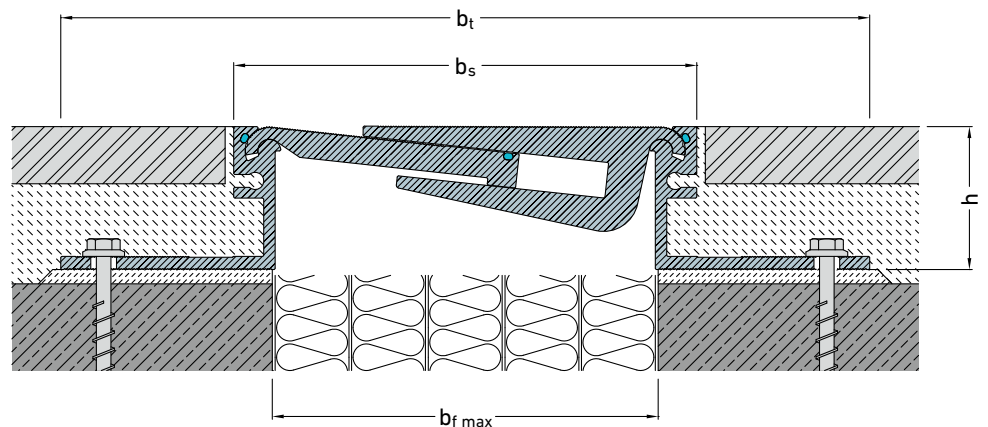
Slight color and / or gloss deviations between different batches or deliveries do not constitute a reason for complaint.

The processing is carried out in accordance with DIN 17611 and the Qualanod (Quality Label for Sulphuric Acid-Based Anodizing of Aluminium) regulations for the anodization of aluminum.

The expansion joint covers must be cleaned and maintained in accordance with the specifications of the Qualanod and the leaflet A5 of the aluminum center.  
We are happy to advise you.

**Standard colors based on EURAS color fans:**

- C 0 Nature
  - C 31 Light
  - C 32 Light bronze
- Other colors on request.



www.migua.com | info@migua.com.uk  
10/2020 – Subject to technical changes without notice