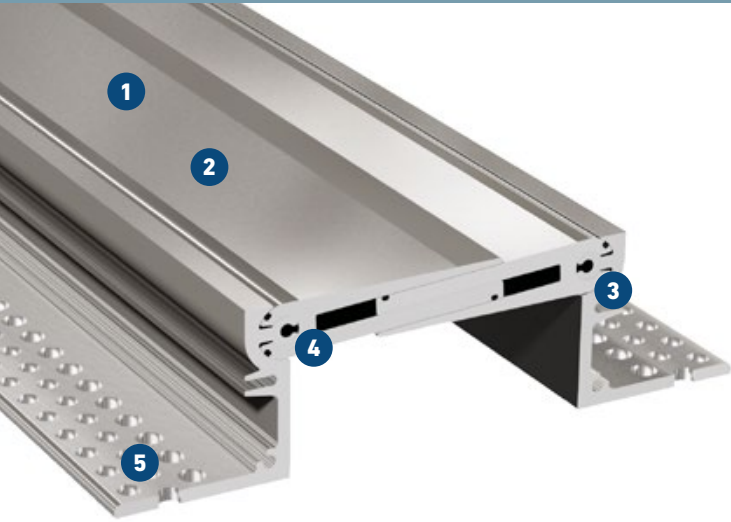


FS 185

FOR HEAVY DUTY FLOORS

MIGUTRANS

HEAVY-DUTY ALL-METAL JOINT SOLUTIONS FOR LARGE TRAFFIC LOADS



- 1 Visible surface has no gaps**
avoids dirt accumulation
- 2 Striated surface**
ensures good skid resistance
- 3 Extremely flat (27 mm)**
ideal for redevelopment, refurbishment, renovation
- 4 Articulated telescoping system**
absorbs movement in 3 directions
- 5 Solid all-metal expansion joint**
hard wearing, maintenance-free, long lasting

MultiHole mounting bracket
for secure fixing

Expansion joint cover	Joint width max. b_f [mm]	Total movement Δb_f [mm]	Visible width b_s [mm]	Joint width total b_t [mm]	Joint height h [mm]	Load bearing capacity [kN]	Load bearing capacity [kN]	Load bearing capacity solid plastic tyres [kg/mm]
FS 185/27	140	60 (±30)	185	305	27	300	70	6,5
FS 185/40	140	60 (±30)	185	305	40	300	70	6,5
FS 185/80	140	60 (±30)	185	305	80	300	70	6,5

Production length: 3 m

Standard colour: Aluminium

Larger installation heights on request.

